

INSTALLATION AND OPERATION MANUAL

Heat Pump Pool & Spa Heater

Models 2450, 3450, 4450,
5450, 6450, 6450PD, 6450HC,
8450 & 8450HC



FOR YOUR SAFETY: Do not store or use gasoline or other flammable vapors and liquids or other combustible materials in the vicinity of this or any other appliance. To do so may result in an explosion or fire.

NOTE: The instructions in this manual are for the use of qualified individuals specially trained and experienced in the installation and maintenance of this type of equipment and related system components. Installation and service personnel are required by some states to be licensed. Persons not qualified shall not attempt to install, service, or maintain this equipment.

This manual should be maintained in legible condition and kept adjacent to the heat pump pool heater or in a safe place for future use.

Raypak[®]
A Rheem[®] Company

Effective: 12-30-21
Replaces: 241909 Rev. 1
P/N 241909 Rev. 2

Revision 2 reflects the following changes:

IPL (4-C) Control Cover kit number updated from "H000349" to "H000407" for sizes 2450 & 3450 only.

TABLE OF CONTENTS

1. WARNINGS	4	Low Pressure Switch Lockout.....	33
Pay Attention to these Terms	4	Water Pressure Switch.....	33
2. INTRODUCTION	5	Sequence of Operation	33
3. WATER CHEMISTRY	6	14. DIGITAL CONTROLS OPERATING	
4. INSTALLATION CONSIDERATIONS	6	INSTRUCTIONS	34
5. ELECTRICAL CONNECTIONS	11	To Increase or Decrease the Desired Water	
6. WATER CONNECTIONS	11	Temperature (Pool or Spa Mode)	34
7. PRESSURE DROP	12	Select Temperature in °C or °F	34
8. HEATER CONTROL DISPLAY	12	15. HEAT/COOL OPERATION	34
9. USER MODES	13	16. SYSTEM START-UP	34
10. CONTROL MENUS	14	17. SEASONAL START-UP / ANNUAL CHECK	34
User Menu – Heat Only, Power Defrost and Heat/		18. SUMMER SHUTDOWN	35
Cool Models.....	15	19. FREEZE PROTECTION	35
Installer/Service Menu Heat Only Config	17	System Drain-Down	35
Installer/Service Menu Power Defrost Config	21	Continuous Pump Operation.....	35
Installer/Service Menu – Heat/Cool Config	25	20. MAINTENANCE	35
11. CONTROL SETTINGS	29	Air Coil Cleaning	35
Set Current Time	29	Cabinet Care (optional).....	35
C/F Display.....	29	Unplug Condensation Drain Holes.....	35
Spa Max Temp	29	21. TROUBLESHOOTING	36
Pool Max Temp	29	Operational Status Messages	37
Pump Periods.....	29	Error Messages.....	38
12. TEMPERATURE CONTROL	29	22. SERVICE CALL VERIFICATION	39
13. ADDITIONAL FEATURES	29	Power Supply	39
Pump Control	29	Water Flow	39
Low Ambient (Outside) Lockout	29	Time Clock Adjustment	39
Control Lock Box Mode.....	29	Set Factory Defaults.....	39
AUX Mode.....	30	Service Access to Heaters	39
Remote Pool Operation.....	30	23. PLUMBING DIAGRAMS	41
Pool Heat Mode	31	24. WIRING DIAGRAM – 208V/230V SINGLE-PHASE	
Pool Cool Mode (HEAT/COOL		– DIGITAL MODELS	45
models ONLY)	31	25. INSTALLING REMOTE CONTROL DEVICE	46
Pool Auto Mode (HEAT/COOL		Heater 2-Wire Controllers (Heat Only).....	46
models ONLY)	31	3-Wire Controllers	46
TIMED SPA Mode	31	2-Wire Controllers For “Chill” Mode – Heat /Cool	
Fault History	31	Models Only.....	46
Run Hours/Cycles	31	26. RESISTANCE SENSOR VALUES	47
Compressor Start Delay	31	27. ILLUSTRATED PARTS LIST	48
Minimum Run Time	31		
Defrost Operation.....	32		
3-Way Valve Control.....	32		
Battery Back-up.....	32		
High Water Temperature Limit.....	32		
High Pressure Switch Lockout	33		

1. WARNINGS

Pay Attention to these Terms

▲ DANGER	Indicates the presence of immediate hazards which will cause severe personal injury, death or substantial property damage if ignored.
▲ WARNING	Indicates the presence of hazards or unsafe practices which could cause severe personal injury, death or substantial property damage if ignored.
▲ CAUTION	Indicates the presence of hazards or unsafe practices which could cause minor personal injury or product or property damage if ignored.
CAUTION	CAUTION used without the warning alert symbol indicates a potentially hazardous condition which could cause minor personal injury or product or property damage if ignored.
NOTE	Indicates special instructions on installation, operation, or maintenance which are important but not related to personal injury hazards.

This manual, as well as the pool heater itself, contains ANSI-approved product safety signs and labels. Please read these signs and labels, as they convey important safety information about hazards that may be potentially present in and around the heater.

▲ CAUTION: Elevated water temperature can be hazardous. The U.S. Consumer Product Safety Commission has these guidelines:

1. Spa water temperatures should never exceed 104°F (40°C). A temperature of 100°F (38°C) is considered safe for a healthy adult. Special caution is suggested for young children.
2. Drinking of alcoholic beverages before or during spa or hot tub use can cause drowsiness which could lead to unconsciousness and subsequently result in drowning.
3. Pregnant Women Beware! Soaking in water over 102°F (39°C) can cause fetal damage during the first three months of pregnancy resulting in the birth of a brain-damaged or deformed child. Pregnant women should stick to the 100°F (38°C) maximum rule.
4. Before entering the spa or hot tub, users should check the water temperature with an accurate thermometer; spa or hot tub thermostats may err in regulating water temperatures by as much as 4°F (2.2°C).
5. Persons with a medical history of heart disease, circulatory problems, diabetes, or blood pressure problems should obtain a physician's advice before using pools or hot tubs.
6. Persons taking medications which induce drowsiness, such as tranquilizers, antihistamines, or anticoagulants, should not use spas or hot tubs.

▲ CAUTION: Improper chemical content in a swimming pool or spa can damage the heater. DO NOT add pool/spa chemicals to the pool/spa via the skimmer or any other apparatus (feeder, chlorinator, etc.) that is on the influent side (i.e. before) of the heater. This will damage the heater and could void the heater warranty. ALWAYS follow the product manufacturer's directions when adding any chemicals to your pool.

▲ WARNING: These heat pump pool heaters are charged with R-410A refrigerant. Ensure that all service work is done with gauges and equipment suitable for R-410A.

EFFICIENCY TESTING NOTICE: For purposes of verifying or testing efficiency ratings, the test procedure in Title 10 APPENDIX P to Subpart B of Part 430 (Uniform Test Method for Measuring the Energy Consumption of Pool Heaters) and the clarifying provisions provided in the AHRI Operations Manual 1160 that were applicable at the date of manufacture should be used for test set up and performance. Charging Chart are available at <https://www.raypak.com/customer-support/heat-pump-charging-charts>. These should only be used by certified HVAC technicians to check or adjust refrigerant charge for proper operation.

2. INTRODUCTION

⚠ WARNING: This heat pump pool heater is an electromechanical machine that incorporates a pressurized refrigerant gas in a sealed system. ONLY trained and qualified service personnel are authorized to install or service this equipment. Without proper training and knowledge of such equipment, any attempt to install or service the unit could result in serious injury or even death.

This manual contains important information on the use, maintenance and troubleshooting of your new heat pump pool heater. This unit must be properly installed, maintained and operated for optimal performance.

This heater is an extremely efficient, economical machine designed specifically for heating swimming pools. It is similar in design and operation to a typical residential air conditioning system. The unit employs a hermetic motor/compressor operating in a refrigeration cycle to extract heat from ambient air and deliver it to the circulating pool water.

All heat pump pool heaters have a lower BTU/hr heating capacity than a gas-fired or oil-fired heater for the same pool and will have to operate more hours per day to keep the pool at setpoint. It may operate up to 24 hours a day at certain times. It is designed to do so. Even with long runtime hours, it will heat the pool at less cost than other heaters using fossil fuel.

Since evaporation is the main cause of heat loss from a pool, keeping the pool covered whenever it is not in use will greatly reduce the cost of keeping the pool heated. Even during warmer weather, Raypak recommends keeping the pool covered at night.

NOTE: Hurricane tie-down brackets, tie-down screws, 2 x union halves, 2 x 45-degree PVC elbows, the printed warranty and the I&O manual are located in an accessory box mounted on the pallet beside the heater inside the packaging. DO NOT throw away the box without removing all the contents.

ATTENTION: Please Take This Opportunity to Quickly Register Your Unit!!

While your unit is being installed by your professional and licensed installer of choice, Please Take This Opportunity to Quickly Register Your Unit!! With the necessary information in hand, Registering your new Heat Pump Pool Heater only takes a few moments and is the only way to assure any verifiable warranty procedures during the span of your unit's period of protection.

Using **Figure 1**, please locate and record your model and serial number. Once you have done this, please make sure you also have the following information on hand:

- Name, phone number, and email address of homeowner

- physical address of where the unit is installed; please include any 'subdivision' or similar information
- any service challenges present at the house/neighborhood: gated community, locked access at house, guard dog, etc.
- date of installation of the new unit
- name and phone number of the professional and licensed entity that performed the installation for you

With all of the above information in hand, please contact us and ask to register your brand new heat pump or Online:

<http://warranty.raypak.com>

You will be given a Warranty Registration Confirmation number which you should notate and keep in one location along with your Installation & Owner's Manual, a copy of your warranty (provided with your manual) and the above information.

This unit is equipped with a QR Code on the rating plate, as shown in **Figure 1**, which will take you to the www.raypak.com website where the IO manual and other documents can be easily accessed.

This would also be a good time to review both the manual and the warranty so that you are aware of how to correctly operate your new equipment as well as how to keep from voiding any aspects of your warranty. During the life of your unit, please feel free to use the above phone number, or the one conveniently located right on the unit, to contact us with any questions you may have about operation, warranty, and/or service.

Thank You Very Much Choosing us to Satisfy Your Pool Heating needs!!

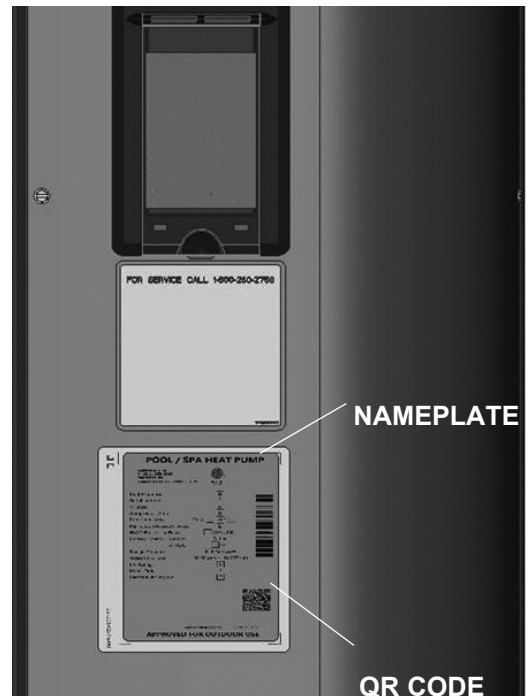


Figure 1. Model and Serial Number Location

Warranty Registration Confirmation #:

3. WATER CHEMISTRY

(Corrosive water voids all warranties)

For your health and the protection of your pool equipment, it is essential that your water be chemically balanced. The following levels must be used as a guide for balanced water.

- Occasional chemical shock dosing of the pool or spa water should not damage the heater providing the water is balanced. However, it is highly recommended that the heat pump pool heater is isolated via shut off valves before any aggressive chemical treatment.
- Automatic chemical dosing devices and salt chlorinators are usually more efficient in heated water. Unless controlled, they can lead to excessive chlorine level which can damage your heater.
- Further advice should be obtained from your pool or spa builder, accredited pool shop, or chemical supplier for the correct levels for your water.

Situate the heater carefully to minimize installation costs while providing maximum efficiency of operation, and to allow adequate service access, as follows:

- For unrestricted air intake and service access, position each side of the unit at least 1 ft (30 cm) from walls, pipes and other obstructions.

⚠ WARNING: This unit is designed for outdoor installation. It is NOT certified for indoor installation. DO NOT install it in an enclosed area such as a shed or garage, or under a porch or deck.

- This unit features an ‘up-flow’ discharge for quiet operation. Air is pulled up through the evaporator coil and discharged through the top grille. Allow at least 5 ft (1.5 m) clearance above the unit for unrestricted air discharge. Do NOT install the unit under a porch or deck. Refer to **Figure 2**. Allowing cold discharge air to recirculate back into the evaporator coil will greatly reduce the unit’s heating capacity and efficiency. To minimize water piping, locate the unit as close as possible to the existing pool pump and filter.
- Irrigation water should be directed away from the heat pump pool heater - irrigation water spray can damage the heater.
- Rain water run offs - the unit is designed to operate outdoors and can be exposed to rain. However, rain water run off falling directly onto the unit can cause damage and/or shorten the life of your unit. Such damage is NOT covered under warranty. Install rain gutters or rain diverters on your roof if the unit is installed in a position where contact with rain runoff may occur.
- It is important to keep the area next to the heater clear of shrubs, bushes and chemicals containers. They could prevent air from circulating fully through the heater, and will affect the operation of the heater or damage the heater.

4. INSTALLATION CONSIDERATIONS

⚠ WARNING: Do not install the unit within 3 ft (0.9m) of fossil-fuel-burning heaters. Air intake along the sides of this heat pump pool heater could disturb the combustion process of the unit, and could cause damage or personal injury.

- Mount the unit on a level, sturdy base, preferably a concrete slab. The size of the base should be at least 3 ft by 3 ft (0.9m x 0.9m) - slightly larger if hurricane tie-down brackets are installed. See Figure 4 through Figure 6 for more details.

CAUTION: The unit’s supporting base must be high enough to keep it completely free of standing water at all times.

Recommended Level(s)	Fiberglass Pools	Fiberglass Spas	Other Pool & Spa Types
Water Temp. (°F / °C)	68 °F to 88 °F (20°C to 31°C)	89 °F to 104 °F (32°C to 40°C)	68 °F to 104 °F (20°C to 40°C)
pH	7.3 to 7.4	7.3 to 7.4	7.6 to 7.8
Total Alkalinity (PPM)	120 to 150	120 to 150	80 to 120
Calcium Hardness (PPM)	200 to 300	150 to 200	200 to 400
Salt (PPM)	4500 MAXIMUM	4500 MAXIMUM	4500 MAXIMUM
Free Chlorine (PPM)*	2 to 3	2 to 3	2 to 3
Total Dissolved Solids (PPM)	3000 MAXIMUM**	3000 MAXIMUM**	3000 MAXIMUM**

*Free Chlorine MUST NOT EXCEED 5 PPM!

** In salt water chlorinated pools, the total TDS can be as high as 6000 ppm.

Table A. Water Chemistry

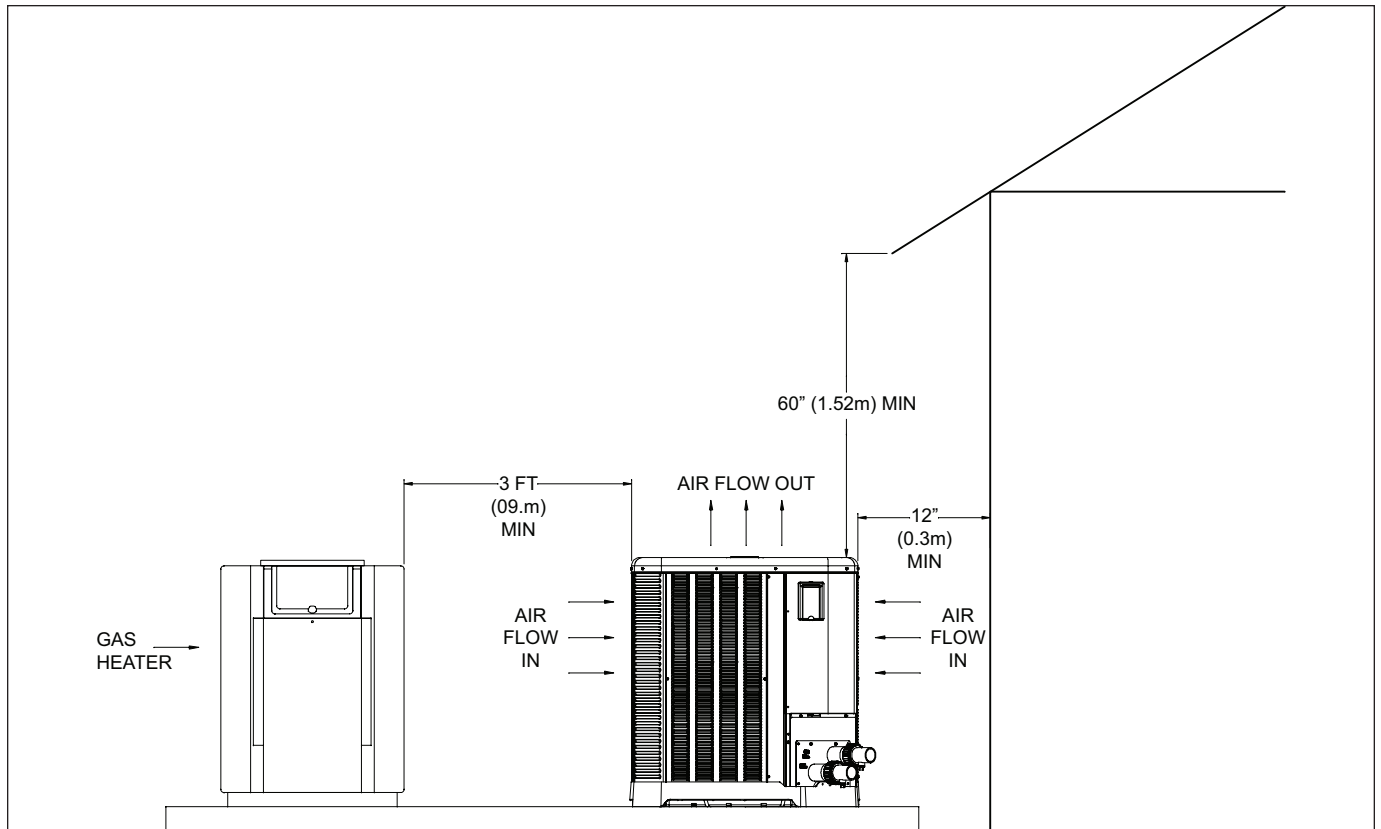


Figure 2. Installation Clearances

- When installed in areas where freezing temperatures can be encountered, drain the water circuit to prevent possible freeze-up damage. Refer to "Freeze Protection" on page 35 for proper procedures.
- If the heater is located below the water line of the pool, the Water Pressure Switch (WPS) or Water Flow Switch (WFS) might need to be adjusted or an external WFS might be needed.
- For high wind installation requirements, refer to **Figure 4** through **Figure 6** – depending on model size.

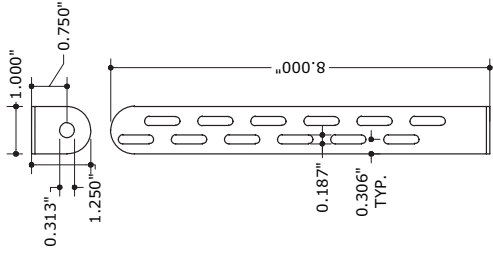
NOTE: The base is designed with recessed areas to allow the use of hand trucks or lifting without the possibility of pinching fingers as shown in Figure 3.



Figure 3. Base Design - Handling

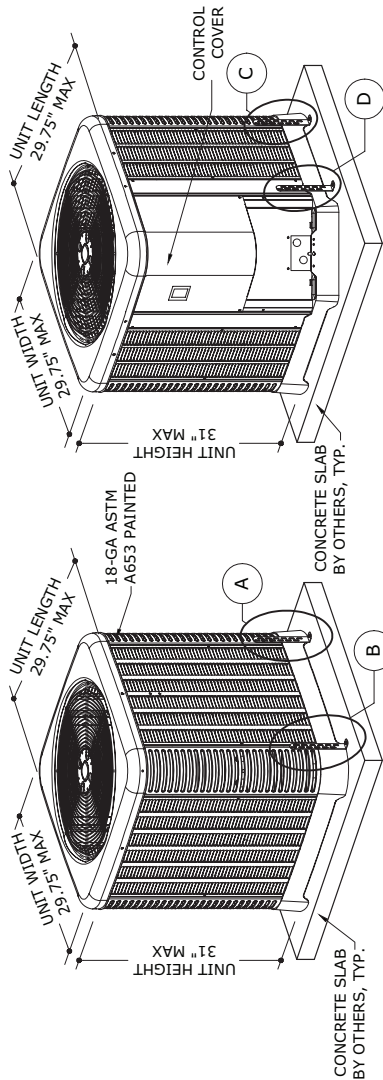
Minimum pad dimensions are 43-1/4" x 43-1/4" x 4" thick.

Screws to attach brackets to unit are supplied with the unit - DO NOT use screws not specified or provided by manufacturer. Screws are stainless steel #10 x 3/4" self drilling. Each bracket requires 4 screws attached to the unit.



TIE-DOWN CLIP

MIAMI TECH CLIP: 14GA (0.07")
ASTM A653 Fu=90 KSI STEEL (CUTD8) OR 0.080" 5052-H32 ALUMINUM (CUTDAB)
FLORIDA APPROVAL FL#19731.1 OR APPROVED EQUAL
SEE GENERAL NOTE 6

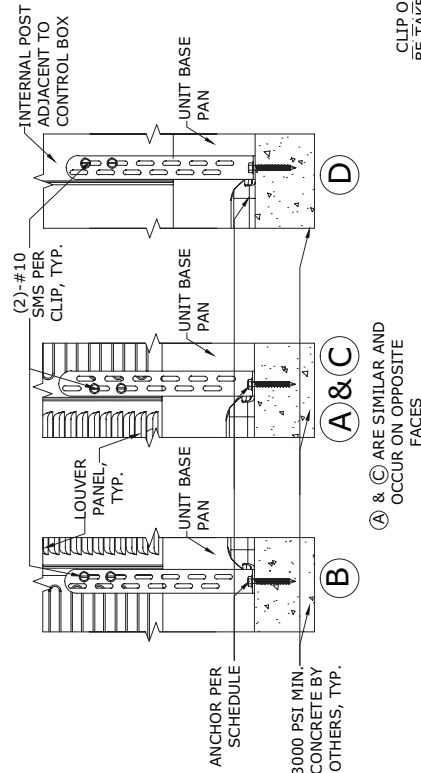


2 MECHANICAL UNIT FRONT ISOMETRIC

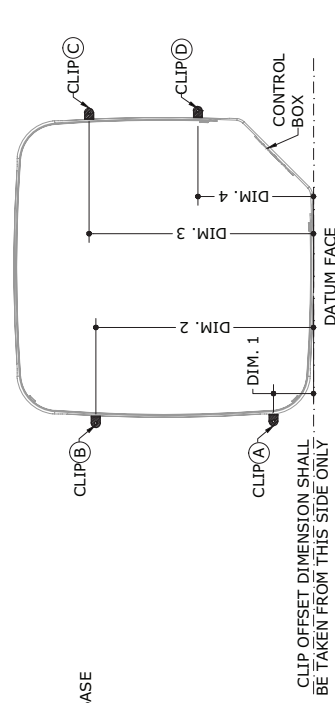
1 MECHANICAL UNIT BACK ISOMETRIC

NOTE: CHECK I&O MANUAL FOR MINIMUM PAD DIMENSIONS AND SCREW LENGTH (U.O.N)

THESE ISOMETRICS ARE INTENDED FOR DIAGRAMMATICAL PURPOSES ONLY.



3 TIE-DOWN CLIPS ELEVATION



4 TIE-DOWN CLIP LAYOUT PLAN

CLIP OFFSET DIMENSION SHALL BE TAKEN FROM THIS SIDE ONLY

TIE-DOWN CLIP OFFSETS:

DIM. 1	4.50" MAX OFFSET FROM DATUM FACE
DIM. 2	24.50" MIN OFFSET FROM DATUM FACE
DIM. 3	25.25" MIN OFFSET FROM DATUM FACE
DIM. 4	13.00" MAX OFFSET FROM DATUM FACE

ANCHOR SCHEDULE:

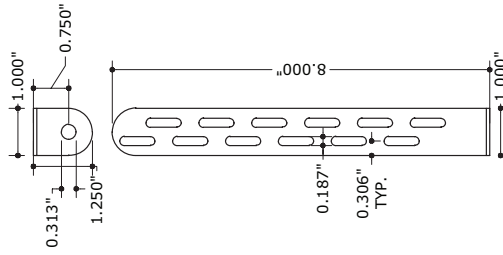
SUBSTRATE	DESCRIPTION
CONCRETE: (4" THICK MIN, 3000 PSI MIN.)	(1)-1/4"Ø CARBON STEEL POWERS WEDGE BOLT+, 2" EMBED TO CONCRETE, 3" MIN. EDGE DISTANCE, 3" MIN. SPACING TO ANY ADJACENT ANCHOR.

Figure 4. Hurricane Tie Down Instructions – 2450

Minimum pad dimensions are 43-1/4" x 43-1/4" x 4" thick.

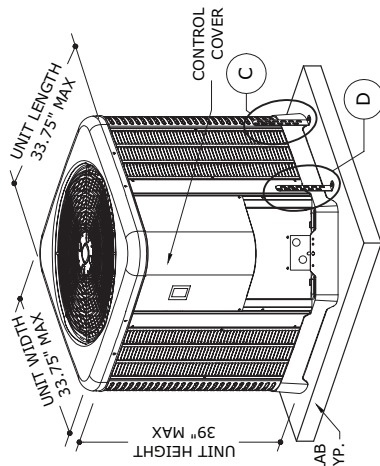
Screws to attach brackets to unit are supplied with the unit

- DO NOT use screws not specified or provided by manufacturer. Screws are stainless steel #10 x 3/4" self drilling.
- Each bracket requires 4 screws attached to the unit.



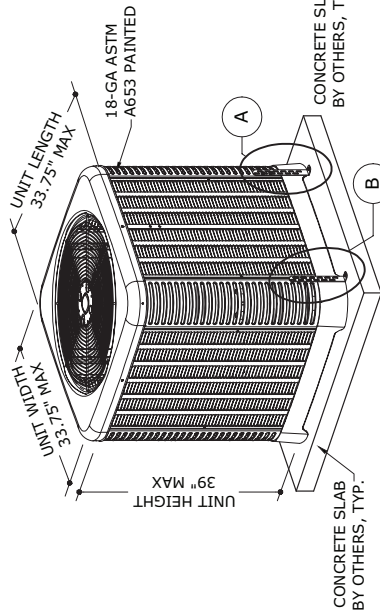
TIE-DOWN CLIP

MIAMI TECH CLIP: 14GA (0.077")
 ASTM A653 FU=90 KSI STEEL
 (CUTD8) OR 0.080" 5052-H32
 ALUMINUM (CUTDA8)
 FLORIDA APPROVAL FL#19731.1
 OR APPROVED EQUAL
 SEE GENERAL NOTE 6



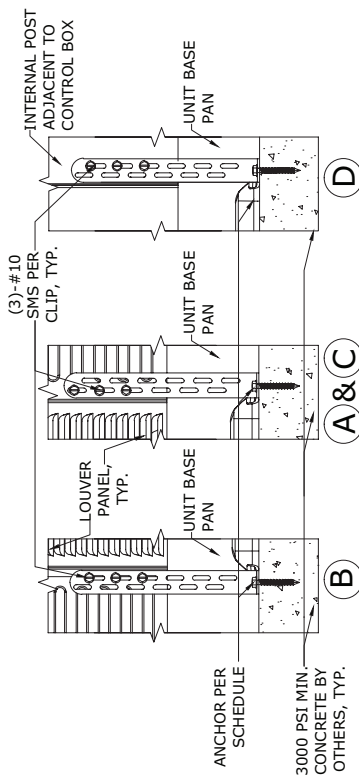
2 MECHANICAL UNIT
 1 N.T.S. FRONT ISOMETRIC

NOTE: CHECK I&O MANUAL FOR MINIMUM PAD DIMENSIONS AND SCREW LENGTH (U.O.N)



1 MECHANICAL UNIT
 1 N.T.S. BACK ISOMETRIC

THESE ISOMETRICS ARE INTENDED FOR DIAGRAMMATICAL PURPOSES ONLY.

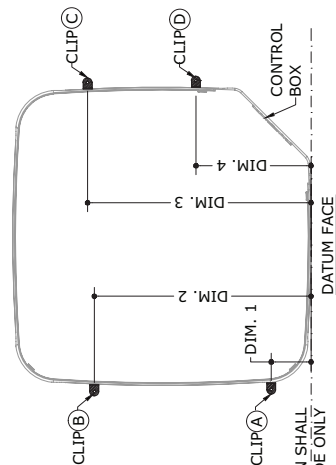


(A) & (C) ARE SIMILAR AND OCCUR ON OPPOSITE FACES

3 TIE-DOWN CLIPS
 1 N.T.S. ELEVATION

CLIP OFFSET DIMENSION SHALL BE TAKEN FROM THIS SIDE ONLY

4 TIE-DOWN CLIP LAYOUT
 1 N.T.S. PLAN



ANCHOR SCHEDULE:

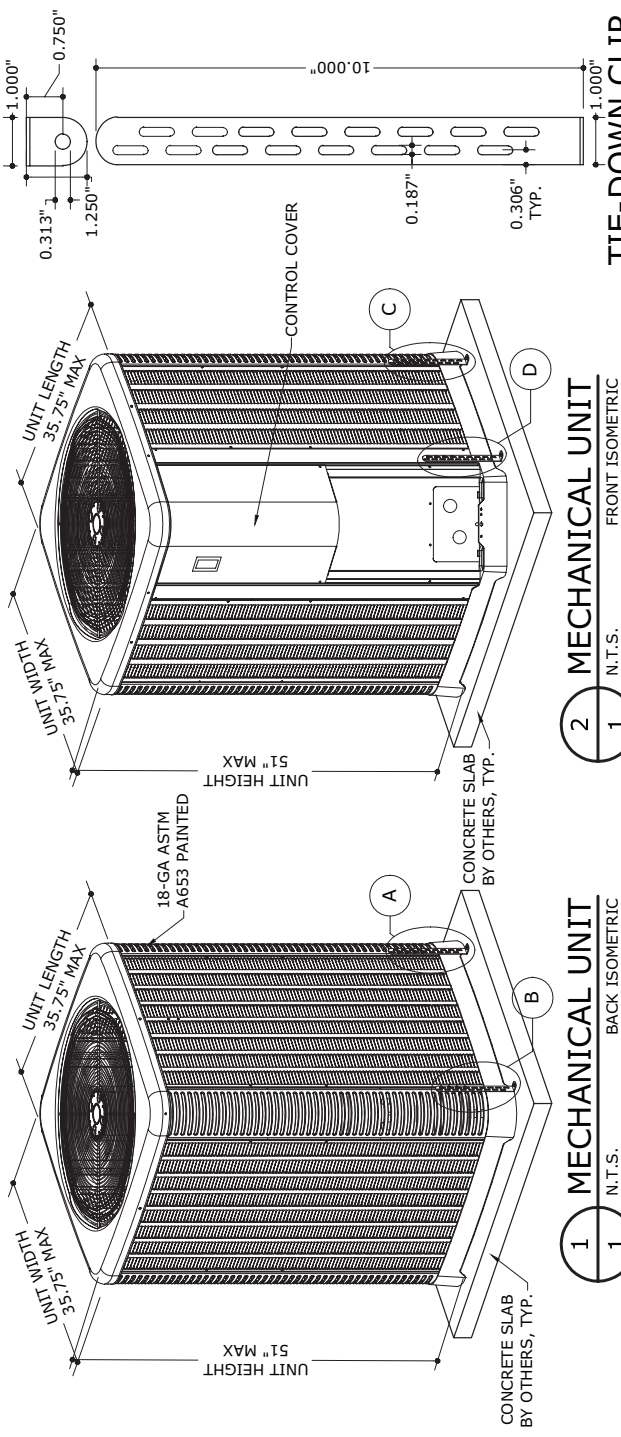
SUBSTRATE	DESCRIPTION
CONCRETE: (4" THICK MIN, 3000 PSI MIN.)	(1)-1/4"Ø CARBON STEEL POWERS WEDGE BOLT+, 2" EMBED TO CONCRETE, 3" MIN. EDGE DISTANCE, 3" MIN. SPACING TO ANY ADJACENT ANCHOR.

TIE-DOWN CLIP OFFSETS:

DIM. 1	4.50" MAX OFFSET FROM DATUM FACE
DIM. 2	28.00" MIN OFFSET FROM DATUM FACE
DIM. 3	29.00" MIN OFFSET FROM DATUM FACE
DIM. 4	13.00" MAX OFFSET FROM DATUM FACE

Figure 5. Hurricane Tie Down Instructions – 3450 - 4450

Minimum pad dimensions are 43-1/4" x 43-1/4" x 4" thick.
Screws to attach brackets to unit are supplied with the unit - DO NOT use screws not specified or provided by manufacturer. Screws are stainless steel #10 x 3/4" self drilling. Each bracket requires 4 screws attached to the unit.

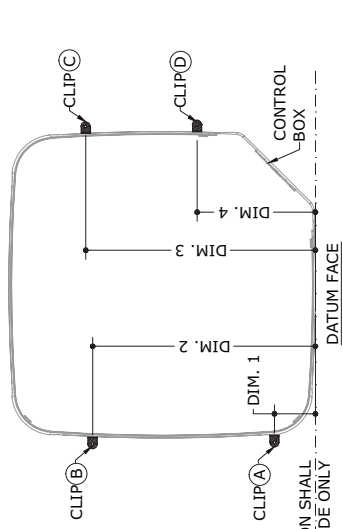


1 MECHANICAL UNIT
BACK ISOMETRIC
1 N.T.S.

2 MECHANICAL UNIT
FRONT ISOMETRIC
1 N.T.S.

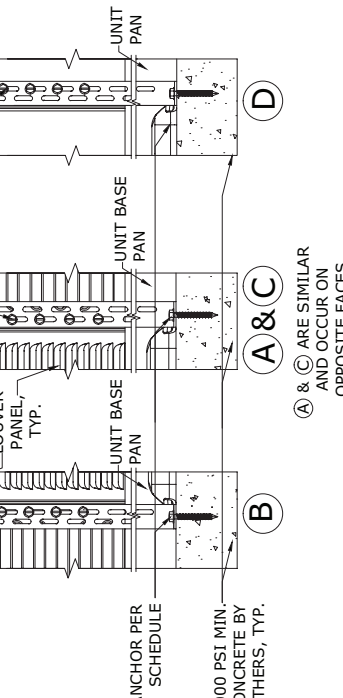
THESE ISOMETRICS ARE INTENDED FOR DIAGRAMMATICAL PURPOSES ONLY.

MIAMI TECH CLIP: 14GA (0.07") ASTM A653
Fu=90 KSI STEEL (CUTD10) OR 0.080"
5052-H32 ALUMINUM (CUTDA10).
FLORIDA APPROVAL FL#19731.1
OR APPROVED EQUAL
SEE GENERAL NOTE 6



3 TIE-DOWN CLIPS
ELEVATION
1 N.T.S.

4 TIE-DOWN CLIP LAYOUT
PLAN
1 N.T.S.



ANCHOR SCHEDULE:

SUBSTRATE	DESCRIPTION
CONCRETE: (4" THICK MIN, 3000 PSI MIN.)	(1)-1/4"Ø CARBON STEEL POWERS WEDGE BOLT+, 2" EMBED TO CONCRETE, 3" MIN. EDGE DISTANCE, 3" MIN. SPACING TO ANY ADJACENT ANCHOR.

TIE-DOWN CLIP OFFSETS:

DIM. 1	DIM. 2	DIM. 3	DIM. 4
4.50" MAX OFFSET FROM DATUM FACE	30.00" MIN OFFSET FROM DATUM FACE	31.00" MIN OFFSET FROM DATUM FACE	13.00" MAX OFFSET FROM DATUM FACE

APPLICABLE MODELS:
5450, 6450 & 8450

Figure 6. Hurricane Tie Down Instructions – 5450 - 8450

5. ELECTRICAL CONNECTIONS

Refer to the unit rating plate below the control panel for precise power requirements for your unit, and for ampacity and over-current protection requirements.

All wiring must be in accordance with the National Electrical Code, NFPA No. 70, latest edition, and all applicable state and local codes. See wiring diagram on page 45.

⚠ WARNING: This unit **MUST** be installed using flexible conduit for supply wiring to the unit. This will allow movement of the conduit whenever the junction box is removed for service - see "Service Access to Heaters" on page 39.

- Locate the equipment disconnect means within 3 feet (0.9m) of the heater's electrical enclosure, or as close to the heater as possible. Always satisfy applicable codes and standards.

NOTE: Refer to the National Electrical Code, Article 680, for general requirements for swimming pools and equipment, and to Article 440 for special considerations necessary for circuits supplying hermetic refrigeration motor/compressors.

- In sizing power wiring, be especially aware of up-sizing requirements necessary due to wiring distances. Always satisfy applicable codes and standards.
- Electrical installation should be done by a licensed electrician only.

This unit is pre-wired to work with external control systems, heat-on-demand options and other external time clock overrides. Refer to the external control system's instructions, and page 30 of this manual, for installation information.

An earth ground lug is located to the right side of the water connections.

NOTE: The earth ground lug may be relocated to the left side of the water connections as needed during unit installation.

6. WATER CONNECTIONS

CAUTION: The heater inlet and outlet connections are **NOT** interchangeable. They must be connected as instructed below.

⚠ WARNING: Improper installation of any type of automatic chemical feeders can result in serious damage to, or premature failure of, the heater and such damage will not be covered under warranty. Install a check valve and/or a Hartford loop **AFTER** the heater and **BEFORE** any chlorinating devices. Install any automatic chemical feeders **AFTER** the heater.

1. Connect the heater in the return water line between the filter and the pool/spa. See "Plumbing Diagrams" on page 41.
2. Connect the filter outlet to the fitting marked INLET/ENTREE at the bottom front of the unit.
3. Connect the fitting marked OUTLET/SORTIE to the return piping to the pool/spa. Unit inlet/outlet connection fittings are 1-1/2-inch PVC unions on models 2450-4450 and 2-inch PVC unions on models 5450-8450.

Water connections from the unit to the main return line can be PVC pipe or flexible pipe approved for the purpose and, in either case, should be at least equal in size to the main pool/spa circulation piping.

4. Shutoff/diverter valves, preferably three-way valves which allows for a bypass route, on the inlet and outlet lines of the heater are required if:
 - water flow to the unit will exceed 40 GPM (151 LPM) for 2450-4450 models or 80 GPM (303 LPM) for 5450-8450 models
 - to protect (completely bypass) the unit from any harmful chemical treatments (i.e. Acid wash, back-to-back super chlorinators, stain treatments, etc.); or to be able to isolate the unit for service/repair or freeze preparation and still allow pool/spa circulation to continue

Please refer to the plumbing diagrams, starting on page 41, for further instruction.

Model No.	Power	Min. Circuit Ampacity	Breaker Size (A)		Recommended Wire Length from Breaker to Heater*, ft. (m)				
			MIN.	MAX.	12 AWG	10 AWG	8 AWG	6 AWG	4 AWG
2450	208/230-1-60	22	30	35	77 (23.5)	123 (37.5)	197 (60.0)	312 (95.1)	500 (152.4)
3450	208/230-1-60	29	35	50	NR	94 (28.7)	151 (46.0)	239 (72.8)	383 (116.7)
4450	208/230-1-60	32	40	50	NR	89 (27.1)	142 (43.3)	225 (68.6)	359 (109.4)
5450	208/230-1-60	30	40	60	NR	94 (28.7)	151 (46.0)	239 (72.8)	383 (116.7)
6450	208/230-1-60	34	50	60	NR	97 (29.6)	156 (47.5)	247 (75.3)	396 (120.7)
8450	208/230-1-60	42	50	60	NR	NR	110 (33.5)	175 (53.3)	280 (85.3)

* Reference only - see National Electrical Code or local codes for wire gauge length limits.

Table B. Typical System Electrical Power Requirements

Please note that some municipalities do not allow the use of a shutoff valve on the effluent/outlet side of any heating equipment, especially when there is one on the inlet side. These entities typically instead allow a PVC tee and spring check valve on the effluent/outlet side. This is allowed by Raypak and can also double as your protection from chemical feeders and chlorinators that our downstream of the unit.

5. Operate the pump and check the system for leaks.
6. Drain plugs are located on each union fitting as shown in **Figure 7** for draining the system during winterizing.

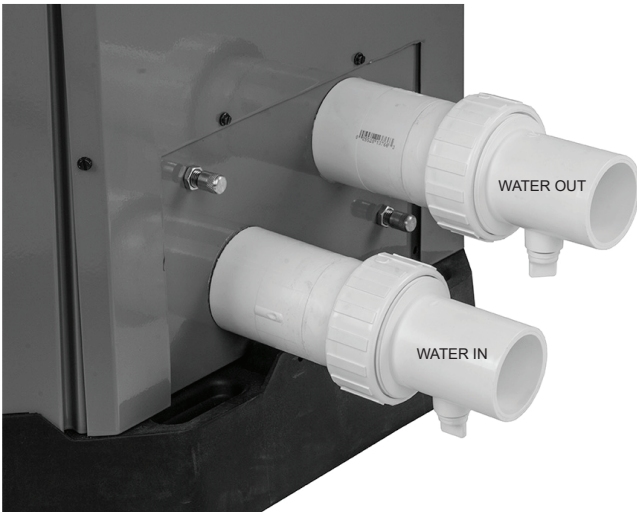


Figure 7. Water Connections/Drain Plugs

NOTE: While it is possible to mount the upper union with the drain plug vertically, the manufacturer has determined that installing both unions with the drain plugs facing down as shown in Figure 7 provides for the best draining of the system.

CAUTION: When the drain plugs are removed for draining the system, ensure that they are stored in a safe place for re-installation when needed to restart the system.

7. PRESSURE DROP

For system pressure drop information, see **Table B**.

Flow GPM (LPM)	Pressure Drop (PSI)					
	2450	3450	4450	5450	6450/ 6450HC	8450/ 8450HC
20 (750)	2.5	3.4	3.4			
30 (113)	6	7	7	4	6	9
40 (151)	10	13	13	7	9	9
50 (189)				10	10	10
60 (227)				11	11	11
70 (265)				12	12	12
80 (303)				13	13	13

Note: Multiply the pressure drop in psi by 2.3067 to yield the pressure drop in Ft. H₂O Head (TDH).

Table C. Pressure Drop Across the Heater

8. HEATER CONTROL DISPLAY

The heater display is viewable from outside of the heater. All operation and settings of the heater control are accomplished through the use of the 3 buttons of the user interface. These buttons are labeled as follows (see **Figure 8**):

- MENU/SET – Scroll through available menus and set changed values (MENU)
- UP – Increase values in adjustable menus
- DOWN – Decrease values in adjustable menus



Figure 8. Heater Control Display

The display shows information on a 2-line, 16-character backlit Liquid Crystal Display (LCD). The backlight is normally off. The backlight is on for 15 minutes after Power-Up and for 15 minutes after any button press. Use the LCD to setup and monitor the operation of your heater.

If the membrane switch remains inactive for 180 seconds (3 minutes), the screen will revert to the current view.

On HEAT ONLY and POWER DEFROST models, the options available by pressing the MENU/SET (MENU) button are POOL HEAT, SPA, TIMED SPA and OFF.

On HEAT/COOL models, the options available by pressing the MENU/SET (MENU) button are POOL HEAT, POOL COOL, POOL AUTO, SPA, TIMED SPA and OFF. The cooling setpoint can be adjusted in the range of 50°F (10°C) to the Cooling Deadband value below the heating setpoint. This allows use in Plunge Pools. Adjust the cooling setpoint accordingly.

Upon initial application of power, the heater control briefly sets all segments on the LCD at power-up. On a normal power-up, the control displays the current software revision and the model type configuration (HEAT ONLY, POWER DEFROST or HEAT/COOL) on the LCD for 2 seconds and then resumes the user-selected mode it was in before power was interrupted.

Setpoints are read from non-volatile memory. If the self-diagnostic check indicates corrupted values, "EEPROM Fault" is displayed on the LCD and operation is prohibited until setpoints are manually set.

If unit type has not been set (like during the replacement of the control), the control prompts the user to set the model type (HEAT ONLY, POWER DEFROST, or HEAT/COOL) before any device operation is enabled.

Upon initial installation, there are several items that must be defined and programmed depending on the configuration and accessories intended to be controlled by the control. These include: (1) Pump control (Yes or No and then what type of control – 4-speed control or variable-speed control), (2) 3-way valve control (Yes or No), and (3) Auxiliary control (Yes or No and then what type – External Heat, Auxiliary Output or Remote Output).

Once these choices are made, then additional information relating to the establishing of pump periods, pump speeds during each period and Return/Suction Valve positions during each period must be determined and set in the control.

The options for the control can be very simple or very detailed, depending upon the needs of the installation. Once programming is completed, the control is ready for operation.

The user may select one of several operating modes. Each mode is selected by pressing the MENU (button is labeled MENU/SET, but MENU is used in these instructions for simplicity) button to cycle between the modes. Each press of the MENU button selects the next mode. There is no automatic increment from continually pressing the MENU button. In fact, continually pressing the MENU button (for 3+ seconds) will move the user into the USER Menu.

9. USER MODES

For HEAT ONLY and POWER DEFROST models, the mode selections are:

- OFF – POOL HEAT – SPA – TIMED SPA.

On HEAT ONLY and POWER DEFROST models, there are additional operational modes available as noted below:

1. When POOL HEAT mode is selected, each press of the UP or DOWN buttons will increase / decrease the pool heating setpoint temperature. Holding the UP or DOWN buttons down will speed up the change of the temperature values.
2. When SPA mode is selected, each press of the UP or DOWN buttons will increase / decrease the spa setpoint temperature. Holding the UP or DOWN buttons down will speed up the change of the temperature values.
3. When TIMED SPA mode is selected, the display will read "Up or Dn to Set". This tells the user to press the UP or DOWN buttons to set the desired length of time for the timed SPA heating operation. Pressing the UP button will increase the timer in 15-minute increments (up to 6 hours maximum). Pressing the DOWN button will decrease the timer by 15-minute increments. The timer will start and the unit will begin heating as necessary to maintain the Spa setpoint temperature for this timer duration. At the end of the timed period, the unit will automatically return to the last operational state (POOL HEAT, POOL COOL, POOL AUTO, SPA, or OFF) of the control. Once the unit turns on, the display will toggle between the current Spa water temperature and the current operating state ("Heating" for example). Pressing the MENU button will change the display to show the time remaining on the timer. Press the MENU button again to go back to the current status.

For HEAT/COOL models, the mode selections are:

- OFF – POOL HEAT – POOL COOL – POOL AUTO – SPA – TIMED SPA.

On HEAT/COOL models, there are additional operational modes available as noted below:

1. When POOL HEAT mode is selected, each press of the UP or DOWN buttons will increase / decrease the pool heating setpoint temperature. Holding the UP or DOWN buttons down will speed up the change of the temperature values.
2. When POOL COOL mode is selected, each press of the UP or DOWN buttons will increase / decrease the pool cooling setpoint temperature. Holding the UP or DOWN buttons down will speed up the change of the temperature values.

3. When POOL AUTO mode is selected, each press of the UP or DOWN buttons will increase / decrease the pool setpoint temperature. Holding the UP or DOWN buttons down will speed up the change of the temperature values.
4. When SPA mode is selected, each press of the UP or DOWN buttons will increase / decrease the spa setpoint temperature. Holding the UP or DOWN buttons down will speed up the change of the temperature values.
5. When TIMED SPA mode is selected, the display will read "Up or Dn to Set". This tells the user to press the UP or DOWN buttons to set the desired timer for timed SPA heating operation. Pressing the UP button will increase the timer in 15-minute increments (up to 6 hours maximum). Pressing the DOWN button will decrease the timer by 15-minute increments. The timer will start and the unit will begin heating as necessary to maintain the Spa setpoint temperature for this duration. At the end of the timed period, the unit will automatically go to the last operational state (POOL HEAT, POOL COOL, POOL AUTO, SPA, or OFF). Once the unit turns on, the display will toggle between the current Spa water temperature and the current operating state ("Heating" for example). Pressing the MENU button will change the display to show the time remaining on the timer. Press the MENU button again to go back to the current status.

The control saves the setpoint changes in non-volatile memory and begins using them for heat demand decisions after both the UP and DOWN buttons have been released for 2+ seconds.

REMOTE Mode is accessed by pressing and holding the UP and DOWN buttons simultaneously for 3 seconds. When exiting the REMOTE mode, the control always selects the OFF Mode.

If the UP, DOWN or MENU buttons are pressed while in REMOTE mode, the display will read "Exit Remote Mode to Adjust Temp". Mode and temperature setpoints are not changed. Press and hold the UP and DOWN buttons for 3 seconds to exit REMOTE Mode.

The INSTALLER/SERVICE menu can be accessed by pressing and holding the UP and MENU buttons for 3+ seconds. The INSTALLER/SERVICE menu does not affect operation of the unit which continues to operate in the background. When in this mode, pressing the UP or DOWN buttons will toggle through the various information reported. Some items (Fault History and Sensor Temperatures) have multiple values (press UP or DOWN buttons to scroll through the additional information. The INSTALLER/SERVICE menu may be exited to return to the previous display by pressing the UP and MENU buttons or it will automatically be exited if no button is pressed within 60 seconds.

10. CONTROL MENUS

The USER menu is accessed by pressing and holding the MENU button on the display for 3+ seconds. This menu allows the end user to change temperature settings and pump periods as desired. There are different features and settings required for different Model types. The model types shown are HEAT ONLY, POWER DEFROST and HEAT/COOL. The following table outlines the items noted on the display in HEAT ONLY, POWER DEFROST and HEAT/COOL configurations, the default values and range of adjustable values as well as a brief description of the feature.

User Menu – Heat Only, Power Defrost and Heat/Cool Models

NOTE: The User Menu is exactly the same for Heat ONLY, Power Defrost and Heat/Cool models.

NOTE: Make sure that the values for each setting are recorded for future reference or if the control ever needs to be reset to Factory Defaults. All these values will need to be re-entered.

Item		Range	Default Value	Access Level	Description
Set Current Time		12:00A–11:59P		User	Selects current time – “A” or “P” will indicate whether the set time is AM or PM.
C/F Display		Celsius/Fahrenheit	Fahrenheit	User	Selects the units of measure for temperature readings.
Spa Max Temp		65°F–104°F (18°C–40°C)	104°F (40°C)	User	Selects the maximum Spa temperature that the control can be adjusted to in normal operation.
Pool Max Temp		65°F–95°F (18°C–35°C)	95°F (35°C)	User	Selects the maximum Pool temperature that the control can be adjusted to in normal operation.
Pump Periods		0–4		User	Only available if Pump Operation in the Installer’s Menu is set to “4-Speed Enabled” or “Variable Enabled”.
	Pump On Time 1	12:00A–11:59P		User	Select ON time for Pump Period #1 to take effect.
	Pump Off Time 1	12:00A–11:59P		User	Select OFF time for Pump Period #1 to stop.
	Pump Speed 1	1–4 if 4-Speed Enabled 0%–100% if Variable Enabled		User	On 4-speed pumps, this denotes the selected pump output (which connects to the pump for the selected speed) for this pump period. On variable-speed pumps, this denotes the PWM signal to be provided to the pump for pump operation.
	Return Valve 1	Pool/Spa	Pool	User	Select the position of a 3-way valve located between the heater and the Pool/Spa for this scheduled pump period.
	Suction Valve 1	Pool/Spa	Pool	User	Select the position of the 3-way valve located between the Pool/Spa and the Pump for this scheduled pump period.
	Pump On Time 2	12:00A–11:59P		User	Select ON time for Pump Period #2 to take effect.
	Pump Off Time 2	12:00A–11:59P		User	Select OFF time for Pump Period #2 to stop.
	Pump Speed 2	1–4 if 4-Speed Enabled 0%–100% if Variable Enabled		User	On 4-speed pumps, this denotes the selected pump output (which connects to the pump for the selected speed) for this pump period. On variable-speed pumps, this denotes the PWM signal to be provided to the pump for pump operation.

Table D. USER MENU – Heat ONLY, Power Defrost and Heat/Cool Models

(Continued on next page)

Item		Range	Default Value	Access Level	Description
	Return Valve 2	Pool/Spa	Pool	User	Select the position of a 3-way valve located between the heater and the Pool/Spa for this scheduled pump period.
	Suction Valve 2	Pool/Spa	Pool	User	Select the position of the 3-way valve located between the Pool/Spa and the Pump for this scheduled pump period.
	Pump On Time 3	12:00A–11:59P		User	Select ON time for Pump Period #3 to take effect.
	Pump Off Time 3	12:00A–11:59P		User	Select OFF time for Pump Period #3 to stop.
	Pump Speed 3	1–4 if 4-Speed Enabled 0%–100% if Variable Enabled		User	On 4-speed pumps, this denotes the selected pump output (which connects to the pump for the selected speed) for this pump period. On variable-speed pumps, this denotes the PWM signal to be provided to the pump for pump operation.
	Return Valve 3	Pool/Spa	Pool	User	Select the position of a 3-way valve located between the heater and the Pool/Spa for this scheduled pump period.
	Suction Valve 3	Pool/Spa	Pool	User	Select the position of the 3-way valve located between the Pool/Spa and the Pump for this scheduled pump period.
	Pump On Time 4	12:00A–11:59P		User	Select ON time for Pump Period #4 to take effect.
	Pump Off Time 4	12:00A–11:59P		User	Select OFF time for Pump Period #4 to stop.
	Pump Speed 4	1–4 if 4-Speed Enabled 0%–100% if Variable Enabled		User	On 4-speed pumps, this denotes the selected pump output (which connects to the pump for the selected speed) for this pump period. On variable-speed pumps, this denotes the PWM signal to be provided to the pump for pump operation.
	Return Valve 4	Pool/Spa	Pool	User	Select the position of a 3-way valve located between the heater and the Pool/Spa for this scheduled pump period.
	Suction Valve 4	Pool/Spa	Pool	User	Select the position of the 3-way valve located between the Pool/Spa and the Pump for this scheduled pump period.

Installer/Service Menu – Heat Only Configuration

The Installer/Service menu is used by Installers and Service personnel to set up and troubleshoot the heater. This menu is accessed by pressing and holding the UP and MENU buttons for 3+ seconds. **WARNING: This menu should never be used by the end user as changes can affect proper operation of the unit.**

NOTE: Make sure that the values for each setting are recorded for future reference or if the control ever needs to be reset to Factory Defaults. All these values will need to be re-entered.

Item		Range	Default Value	Access Level	Description
Set Current Time		12:00A–11:59P		Installer	Selects current time – “A” or “P” will indicate whether the set time is AM or PM.
Pump Periods		0–4		Installer	Only available if Pump Operation in the Installer’s Menu is set to “4-Speed Enabled” or “Variable Enabled”.
	Pump On Time 1	12:00A–11:59P		Installer	Select ON time for Pump Period #1 to take effect.
	Pump Off Time 1	12:00A–11:59P		Installer	Select OFF time for Pump Period #1 to stop.
	Pump Speed 1	1–4 if 4-Speed Enabled 0%–100% if Variable Enabled		Installer	On 4-speed pumps, this denotes the selected pump output (which connects to the pump for the selected speed) for this pump period. On variable-speed pumps, this denotes the PWM signal to be provided to the pump for pump operation.
	Return Valve 1	Pool/Spa	Pool	Installer	Select the position of a 3-way valve located between the heater and the Pool/Spa for this scheduled pump period.
	Suction Valve 1	Pool/Spa	Pool	Installer	Select the position of the 3-way valve located between the Pool/Spa and the Pump for this scheduled pump period.
	Pump On Time 2	12:00A–11:59P		Installer	Select ON time for Pump Period #2 to take effect.
	Pump Off Time 2	12:00A–11:59P		Installer	Select OFF time for Pump Period #2 to stop.
	Pump Speed 2	1–4 if 4-Speed Enabled 0%–100% if Variable Enabled		Installer	On 4-speed pumps, this denotes the selected pump output (which connects to the pump for the selected speed) for this pump period. On variable-speed pumps, this denotes the PWM signal to be provided to the pump for pump operation.
	Return Valve 2	Pool/Spa	Pool	Installer	Select the position of a 3-way valve located between the heater and the Pool/Spa for this scheduled pump period.
	Suction Valve 2	Pool/Spa	Pool	Installer	Select the position of the 3-way valve located between the Pool/Spa and the Pump for this scheduled pump period.
	Pump On Time 3	12:00A–11:59P		Installer	Select ON time for Pump Period #3 to take effect.

Table E. INSTALLER/SERVICE MENU – HEAT ONLY Configuration

(Continued on next page)

Item		Range	Default Value	Access Level	Description
	Pump Off Time 3	12:00A–11:59P		Installer	Select OFF time for Pump Period #3 to stop.
	Pump Speed 3	1–4 if 4-Speed Enabled 0%–100% if Variable Enabled		Installer	On 4-speed pumps, this denotes the selected pump output (which connects to the pump for the selected speed) for this pump period. On variable-speed pumps, this denotes the PWM signal to be provided to the pump for pump operation.
	Return Valve 3	Pool/Spa	Pool	Installer	Select the position of a 3-way valve located between the heater and the Pool/Spa for this scheduled pump period.
	Suction Valve 3	Pool/Spa	Pool	Installer	Select the position of the 3-way valve located between the Pool/Spa and the Pump for this scheduled pump period.
	Pump On Time 4	12:00A–11:59P		Installer	Select ON time for Pump Period #4 to take effect.
	Pump Off Time 4	12:00A–11:59P		Installer	Select OFF time for Pump Period #4 to stop.
	Pump Speed 4	1–4 if 4-Speed Enabled 0%–100% if Variable Enabled		Installer	On 4-speed pumps, this denotes the selected pump output (which connects to the pump for the selected speed) for this pump period. On variable-speed pumps, this denotes the PWM signal to be provided to the pump for pump operation.
	Return Valve 4	Pool/Spa	Pool	Installer	Select the position of a 3-way valve located between the heater and the Pool/Spa for this scheduled pump period.
	Suction Valve 4	Pool/Spa	Pool	Installer	Select the position of the 3-way valve located between the Pool/Spa and the Pump for this scheduled pump period.
Faults Last				Installer/ Service	Fault history starting with the most recent and going back to 10 last faults. Using the UP/DOWN buttons scrolls through the fault history. If there are no faults present, the display will read “All Faults Clear”.
Clear Faults				Installer/ Service	Holding down the UP and DOWN buttons for 3+ seconds clears the recorded fault history and “Faults Cleared” appears on the display.
Run Hours XXXX Cycles XXXX				Installer/ Service	Displays the number of run hours that the compressor has been running as well as the number of cycles that the unit has operated.

(Continued on next page)

Item		Range	Default Value	Access Level	Description
Voltage Up/ Down for More				Installer/Service	Press UP or DOWN buttons to access additional temperature measurements.
	Voltage	View Only – VAC		Installer/Service	Displays the 24VAC voltage as measured by the control board.
	Coil Temp	View Only – degrees F or C		Installer/Service	Displays the coil temperature sensor value – used for defrost operation.
	Amb Temp	View Only – degrees F or C		Installer/Service	Displays the ambient temperature sensor value – used for Outside Lockout operation and defrost.
	Suct Temp	View Only – degrees F or C		Installer/Service	Displays the suction line temperature sensor value – used for EXV operation ONLY. Will not be shown if EXV Disabled is selected.
	EXV Temp	View Only – degrees F or C		Installer/Service	Displays the EXV temperature sensor value – ONLY available with EXV Enabled AND EXV Temp Sensor utilized. NOTE: This is ONLY utilized when the pressure transducer is NOT used.
	Sat Temp	View Only – degrees F or C		Installer/Service	Displays the pressure transducer converted to a temperature. It is displayed whenever EXV is enabled.
	Water Temp	View Only – degrees F or C		Installer/Service	Displays the water temperature sensor value – used for temperature operation
Installer Menu		Yes or No	No		Select YES and press the MENU button to gain access to additional programming selections in this Installer/Service Sub-menu. Select No and the next MENU button press returns to the Set Current Time screen.
	Pump Operation	4-Speed Enabled, Variable Enabled, Disabled	Disabled	Installer/Service Sub-menu	If pump control through the heater is desired, select the appropriate pump mode – 4-Speed Enabled for discrete speed control or Variable Enabled for PWM control of pump.
	Pump Heat			Installer/Service Sub-menu	This feature selects the Digital input (pump speed) for the pump to operate during heater operation.
	Valve Operation	Enabled, Disabled	Disabled	Installer/Service Sub-menu	This feature allows control of 3-way valves. Disabled is the default. When Enabled, the control will seek information as to whether the Return and Suction valves should be positions for Pool or Spa positions for each pump period.
	AUX Mode	AUX OFF, AUX OUTPUT, REMOTE OUT, EXT HEAT	AUX OFF	Installer/Service Sub-menu	See "AUX Mode" on page 30 for operation description.

(Continued on next page)

Item		Range	Default Value	Access Level	Description
	Defrost Temp	20°F–35°F (-6.5°C–1.5°C)	24°F (-4°C)	Installer/ Service Sub- menu	This is the temperature measured on the coil when the control goes into Defrost mode.
	Defrost Deadband	5°F–20°F (3°C–11°C)	10°F (5.5°C)	Installer/ Service Sub- menu	Defrost terminates when the coil temperature is greater than the Defrost Temperature + Defrost Deadband.
	Outside Lockout	Off, 30°F–50°F (-1°C–10°C)	Off	Installer/ Service Sub- menu	The installer can program the control to Lock out operation of the unit if a specific outside temperature is measured. Off allows operation at any ambient temperature.
	Set Model Type	HEAT ONLY, POWER DEFROST, HEAT/COOL	HEAT ONLY	Installer/ Service Sub- menu	Set at the factory. Will need to be set by Installer during any replacement of the control board.
	EXV	Disabled, Type 1, Type 2		Installer/ Service Sub- menu	Set at the factory on new units. Select “Disabled” if unit equipped with TXV for board replacement. EXV Type 1 is 500 step EXV. EXV Type 2 is 1600 step EXV.
	Change EXV to	Yes/No		Installer/ Service Sub- menu	This screen asks if you really want to change the EXV setting – the UP or DOWN button must be pressed to show YES before the EXV type will be changed.
	Brownout Detection On	On/Off	On	Installer/ Service Sub- menu	This function will shut down operation of the unit if the 24VAC signal drops below 18VAC to protect the unit from Low Voltage. This feature can be turned off as desired.
	Set Factory Defaults			Installer/ Service Sub- menu	Press and hold both the UP and DOWN buttons for 3+ seconds to reset the factory defaults in the control. When reset, the screen will display “Defaults Set”.

Installer/Service Menu – Power Defrost Configuration

NOTE: Make sure that the values for each setting are recorded for future reference or if the control ever needs to be reset to Factory Defaults. All these values will need to be re-entered.

Item		Range	Default Value	Access Level	Description
Set Current Time		12:00A–11:59P		Installer	Selects current time – “A” or “P” will indicate whether the set time is AM or PM.
Pump Periods		0–4		Installer	Only available if Pump Operation in the Installer’s Menu is set to “4-Speed Enabled” or “Variable Enabled”.
	Pump On Time 1	12:00A–11:59P		Installer	Select ON time for Pump Period #1 to take effect.
	Pump Off Time 1	12:00A–11:59P		Installer	Select OFF time for Pump Period #1 to stop.
	Pump Speed 1	1–4 if 4-Speed Enabled 0%–100% if Variable Enabled		Installer	On 4-speed pumps, this denotes the selected pump output (which connects to the pump for the selected speed) for this pump period. On variable-speed pumps, this denotes the PWM signal to be provided to the pump for pump operation.
	Return Valve 1	Pool/Spa	Pool	Installer	Select the position of a 3-way valve located between the heater and the Pool/Spa for this scheduled pump period.
	Suction Valve 1	Pool/Spa	Pool	Installer	Select the position of the 3-way valve located between the Pool/Spa and the Pump for this scheduled pump period.
	Pump On Time 2	12:00A–11:59P		Installer	Select ON time for Pump Period #2 to take effect.
	Pump Off Time 2	12:00A–11:59P		Installer	Select OFF time for Pump Period #2 to stop.
	Pump Speed 2	1–4 if 4-Speed Enabled 0%–100% if Variable Enabled		Installer	On 4-speed pumps, this denotes the selected pump output (which connects to the pump for the selected speed) for this pump period. On variable-speed pumps, this denotes the PWM signal to be provided to the pump for pump operation.
	Return Valve 2	Pool/Spa	Pool	Installer	Select the position of a 3-way valve located between the heater and the Pool/Spa for this scheduled pump period.
	Suction Valve 2	Pool/Spa	Pool	Installer	Select the position of the 3-way valve located between the Pool/Spa and the Pump for this scheduled pump period.
	Pump On Time 3	12:00A–11:59P		Installer	Select ON time for Pump Period #3 to take effect.

Table F. Installer/Service Menu – Power Defrost Configuration

(Continued on next page)

Item		Range	Default Value	Access Level	Description
	Pump Off Time 3	12:00A–11:59P		Installer	Select OFF time for Pump Period #3 to stop.
	Pump Speed 3	1–4 if 4-Speed Enabled 0%–100% if Variable Enabled		Installer	On 4-speed pumps, this denotes the selected pump output (which connects to the pump for the selected speed) for this pump period. On variable-speed pumps, this denotes the PWM signal to be provided to the pump for pump operation.
	Return Valve 3	Pool/Spa	Pool	Installer	Select the position of a 3-way valve located between the heater and the Pool/Spa for this scheduled pump period.
	Suction Valve 3	Pool/Spa	Pool	Installer	Select the position of the 3-way valve located between the Pool/Spa and the Pump for this scheduled pump period.
	Pump On Time 4	12:00A–11:59P		Installer	Select ON time for Pump Period #4 to take effect.
	Pump Off Time 4	12:00A–11:59P		Installer	Select OFF time for Pump Period #4 to stop.
	Pump Speed 4	1–4 if 4-Speed Enabled 0%–100% if Variable Enabled		Installer	On 4-speed pumps, this denotes the selected pump output (which connects to the pump for the selected speed) for this pump period. On variable-speed pumps, this denotes the PWM signal to be provided to the pump for pump operation.
	Return Valve 4	Pool/Spa	Pool	Installer	Select the position of a 3-way valve located between the heater and the Pool/Spa for this scheduled pump period.
	Suction Valve 4	Pool/Spa	Pool	Installer	Select the position of the 3-way valve located between the Pool/Spa and the Pump for this scheduled pump period.
Faults Last				Installer/Service	Fault history starting with the most recent and going back to 10 last faults. Using the UP/DOWN buttons scrolls through the fault history. If there are no faults present, the display will read “All Faults Clear”.
Clear Faults				Installer/Service	Holding down the UP and DOWN buttons for 3+ seconds clears the recorded fault history and “Faults Cleared” appears on the display.
Run Hours XXXX Cycles XXXX				Installer/Service	Displays the number of run hours that the compressor has been running as well as the number of cycles that the unit has operated.

(Continued on next page)

Item		Range	Default Value	Access Level	Description
Voltage Up/ Down for More				Installer/Service	Press UP or DOWN buttons to access additional temperature measurements.
	Voltage	View Only – VAC		Installer/Service	Displays the 24VAC voltage as measured by the control board.
	Coil Temp	View Only – degrees F or C		Installer/Service	Displays the coil temperature sensor value – used for defrost operation.
	Amb Temp	View Only – degrees F or C		Installer/Service	Displays the ambient temperature sensor value – used for Outside Lockout operation and defrost.
	Suct Temp	View Only – degrees F or C		Installer/Service	Displays the suction line temperature sensor value – used for EXV operation ONLY. Will not be shown if EXV Disabled is selected.
	EXV Temp	View Only – degrees F or C		Installer/Service	Displays the EXV temperature sensor value – ONLY available with EXV Enabled AND EXV Temp Sensor utilized. NOTE: This is ONLY utilized when the pressure transducer is NOT used.
	Sat Temp	View Only – degrees F or C		Installer/Service	Displays the pressure transducer converted to a temperature. It is displayed whenever EXV is enabled.
	Water Temp	View Only – degrees F or C		Installer/Service	Displays the water temperature sensor value – used for temperature operation
Installer Menu		Yes or No	No		Select YES and press the MENU button to gain access to additional programming selections in this Installer/Service Sub-menu. Select No and the next MENU button press returns to the Set Current Time screen.
	Pump Operation	4-Speed Enabled, Variable Enabled, Disabled	Disabled	Installer/Service Sub-menu	If pump control through the heater is desired, select the appropriate pump mode – 4-Speed Enabled for discrete speed control or Variable Enabled for PWM control of pump.
	Pump Heat			Installer/Service Sub-menu	This feature selects the Digital input (pump speed) for the pump to operate during heater operation.
	Valve Operation	Enabled, Disabled	Disabled	Installer/Service Sub-menu	This feature allows control of 3-way valves. Disabled is the default. When Enabled, the control will seek information as to whether the Return and Suction valves should be positions for Pool or Spa positions for each pump period.
	Return Valve Position 1 =	Pool/Spa	Pool		
	Suction Valve Position 1 =	Pool/Spa	Pool		
	AUX Mode	AUX OFF, AUX OUTPUT, REMOTE OUT, EXT HEAT	AUX OFF	Installer/Service Sub-menu	See "AUX Mode" on page 30 for operation description.

(Continued on next page)

Item		Range	Default Value	Access Level	Description
	AUX1 On Time	12:00A-11:59P		Installer/ Service Sub- menu	Select ON time for AUX1 to take effect.
	AUX1 Off Time	12:00A-11:59P		Installer/ Service Sub- menu	Select OFF time for AUX1 to stop.
	AUX2 On Time	12:00A-11:59P		Installer/ Service Sub- menu	Select ON time for AUX2 to take effect.
	AUX2 Off Time	12:00A-11:59P		Installer/ Service Sub- menu	Select OFF time for AUX2 to stop.
	Defrost Temp	20°F–35°F (-6.5°C–1.5°C)	35°F (1.5°C)	Installer/ Service Sub- menu	This is the temperature measured on the coil when the control goes into Defrost mode.
	Def Terminate	40°F–60°F (4°C–15.5vC)	50°F (10°C)	Installer/ Service Sub- menu	If the coil temperature reaches this setpoint, Defrost will terminate. Other Defrost algorithms are still operating behinds the scene.
	Outside Lockout	Off, 30°F–50°F (-1°C–10°C)	Off	Installer/ Service Sub- menu	The installer can program the control to Lock out operation of the unit if a specific outside temperature is measured. Off allows operation at any ambient temperature.
	Set Model Type	HEAT ONLY, POWER DEFROST, HEAT/COOL	HEAT/ COOL	Installer/ Service Sub- menu	Set at the factory. Will need to be set by Installer during any replacement of the control board.
	EXV	Disabled, Type 1, Type 2	Disabled	Installer/ Service Sub- menu	Set at the factory on new units. Select “Disabled” if unit equipped with TXV for board replacement. EXV Type 1 is 500 step EXV. EXV Type 2 is 1600 step EXV.
	Change EXV to	Yes/No		Installer/ Service Sub- menu	This screen asks if you really want to change the EXV setting – the UP or DOWN button must be pressed to show YES before the EXV type will be changed.
	Brownout Detection On	On/Off	On	Installer/ Service Sub- menu	This function will shut down operation of the unit if the 24VAC signal drops below 18VAC to protect the unit from Low Voltage. This feature can be turned off as desired.
	Set Factory Defaults			Installer/ Service Sub- menu	Press and hold both the UP and DOWN buttons for 3+ seconds to reset the factory defaults in the control. When reset, the screen will display “Defaults Set”.

Installer/Service Menu – Heat/Cool Configuration

NOTE: Make sure that the values for each setting are recorded for future reference or if the control ever needs to be reset to Factory Defaults. All these values will need to be re-entered.

Item		Range	Default Value	Access Level	Description
Set Current Time		12:00A–11:59P		Installer	Selects current time – “A” or “P” will indicate whether the set time is AM or PM.
Remote Pool		Heat, Cool, Auto	Cool	Installer	Selects unit operation when controlled by remote.
Pump Periods		0–4		Installer	Only available if Pump Operation in the Installer’s Menu is set to “4-Speed Enabled” or “Variable Enabled”.
	Pump On Time 1	12:00A–11:59P		Installer	Select ON time for Pump Period #1 to take effect.
	Pump Off Time 1	12:00A–11:59P		Installer	Select OFF time for Pump Period #1 to stop.
	Pump Speed 1	1–4 if 4-Speed Enabled 0%–100% if Variable Enabled		Installer	On 4-speed pumps, this denotes the selected pump output (which connects to the pump for the selected speed) for this pump period. On variable-speed pumps, this denotes the PWM signal to be provided to the pump for pump operation.
	Return Valve 1	Pool/Spa	Pool	Installer	Select the position of a 3-way valve located between the heater and the Pool/Spa for this scheduled pump period.
	Suction Valve 1	Pool/Spa	Pool	Installer	Select the position of the 3-way valve located between the Pool/Spa and the Pump for this scheduled pump period.
	Pump On Time 2	12:00A–11:59P		Installer	Select ON time for Pump Period #2 to take effect.
	Pump Off Time 2	12:00A–11:59P		Installer	Select OFF time for Pump Period #2 to stop.
	Pump Speed 2	1–4 if 4-Speed Enabled 0%–100% if Variable Enabled		Installer	On 4-speed pumps, this denotes the selected pump output (which connects to the pump for the selected speed) for this pump period. On variable-speed pumps, this denotes the PWM signal to be provided to the pump for pump operation.
	Return Valve 2	Pool/Spa	Pool	Installer	Select the position of a 3-way valve located between the heater and the Pool/Spa for this scheduled pump period.
	Suction Valve 2	Pool/Spa	Pool	Installer	Select the position of the 3-way valve located between the Pool/Spa and the Pump for this scheduled pump period.
	Pump On Time 3	12:00A–11:59P		Installer	Select ON time for Pump Period #3 to take effect.

Table G. Installer/Service Menu — Heat/Cool Configuration
(Continued on next page)

Item		Range	Default Value	Access Level	Description
	Pump Off Time 3	12:00A–11:59P		Installer	Select OFF time for Pump Period #3 to stop.
	Pump Speed 3	1–4 if 4-Speed Enabled 0%–100% if Variable Enabled		Installer	On 4-speed pumps, this denotes the selected pump output (which connects to the pump for the selected speed) for this pump period. On variable-speed pumps, this denotes the PWM signal to be provided to the pump for pump operation.
	Return Valve 3	Pool/Spa	Pool	Installer	Select the position of a 3-way valve located between the heater and the Pool/Spa for this scheduled pump period.
	Suction Valve 3	Pool/Spa	Pool	Installer	Select the position of the 3-way valve located between the Pool/Spa and the Pump for this scheduled pump period.
	Pump On Time 4	12:00A–11:59P		Installer	Select ON time for Pump Period #4 to take effect.
	Pump Off Time 4	12:00A–11:59P		Installer	Select OFF time for Pump Period #4 to stop.
	Pump Speed 4	1–4 if 4-Speed Enabled 0%–100% if Variable Enabled		Installer	On 4-speed pumps, this denotes the selected pump output (which connects to the pump for the selected speed) for this pump period. On variable-speed pumps, this denotes the PWM signal to be provided to the pump for pump operation.
	Return Valve 4	Pool/Spa	Pool	Installer	Select the position of a 3-way valve located between the heater and the Pool/Spa for this scheduled pump period.
	Suction Valve 4	Pool/Spa	Pool	Installer	Select the position of the 3-way valve located between the Pool/Spa and the Pump for this scheduled pump period.
Faults Last				Installer/ Service	Fault history starting with the most recent and going back to 10 last faults. Using the UP/DOWN buttons scrolls through the fault history. If there are no faults present, the display will read “All Faults Clear”.
Clear Faults				Installer/ Service	Holding down the UP and DOWN buttons for 3+ seconds clears the recorded fault history and “Faults Cleared” appears on the display.
Run Hours XXXX Cycles XXXX				Installer/ Service	Displays the number of run hours that the compressor has been running as well as the number of cycles that the unit has operated.

(Continued on next page)

Item		Range	Default Value	Access Level	Description
Voltage Up/ Down for More				Installer/ Service	Press UP or DOWN buttons to access additional temperature measurements.
	Voltage	View Only – VAC		Installer/ Service	Displays the 24VAC voltage as measured by the control board.
	Coil Temp	View Only – degrees F or C		Installer/ Service	Displays the coil temperature sensor value – used for defrost operation.
	Amb Temp	View Only – degrees F or C		Installer/ Service	Displays the ambient temperature sensor value – used for Outside Lockout operation and defrost.
	Suct Temp	View Only – degrees F or C		Installer/ Service	Displays the suction line temperature sensor value – used for EXV operation ONLY. Will not be shown if EXV Disabled is selected.
	EXV Temp	View Only – degrees F or C		Installer/ Service	Displays the EXV temperature sensor value – ONLY available with EXV Enabled AND EXV Temp Sensor utilized. NOTE: This is ONLY utilized when the pressure transducer is NOT used.
	Sat Temp	View Only – degrees F or C		Installer/ Service	Displays the pressure transducer converted to a temperature. It is displayed whenever EXV is enabled.
	Water Temp	View Only – degrees F or C		Installer/ Service	Displays the water temperature sensor value – used for temperature operation.
Installer Menu		Yes or No	No		Select YES and press the MENU button to gain access to additional programming selections in this Installer/Service Sub-menu. Select No and the next MENU button press returns to the Set Current Time screen.
	Pump Operation	4-Speed Enabled, Variable Enabled, Disabled	Disabled	Installer/ Service Sub-menu	If pump control through the heater is desired, select the appropriate pump mode – 4-Speed Enabled for discrete speed control or Variable Enabled for PWM control of pump.
	Pump Heat			Installer/ Service Sub-menu	This feature selects the Digital input (pump speed) for the pump to operate during heater operation.
	Valve Operation	Enabled, Disabled	Disabled	Installer/ Service Sub-menu	This feature allows control of 3-way valves. Disabled is the default. When Enabled, the control will seek information as to whether the Return and Suction valves should be positions for Pool or Spa positions for each pump period.
	Return Valve Position 1 =	Pool/Spa	Pool		
	Suction Valve Position 1 =	Pool/Spa	Pool		
	AUX Mode	AUX OFF, AUX OUTPUT, REMOTE OUT, EXT HEAT	AUX OFF	Installer/ Service Sub-menu	See description of auxiliary mode operation on 30.

(Continued on next page)

Item		Range	Default Value	Access Level	Description
	AUX1 On Time	12:00A-11:59P		Installer/ Service Sub-menu	Select ON time for AUX1 to take effect.
	AUX1 Off Time	12:00A-11:59P		Installer/ Service Sub-menu	Select OFF time for AUX1 to stop.
	AUX2 On Time	12:00A-11:59P		Installer/ Service Sub-menu	Select ON time for AUX2 to take effect.
	AUX2 Off Time	12:00A-11:59P		Installer/ Service Sub-menu	Select OFF time for AUX2 to stop.
	Cooling Deadband	2°F–10°F (1°C–5.5°C)	6°F (3.3°C)	Installer/ Service Sub-menu	In Pool Auto mode, the cooling setpoint is the heating setpoint minus this Cooling Deadband value.
	Defrost Temp	20°F–35°F (-6.5°C–1.5°C)	35°F (1.5°C)	Installer/ Service Sub-menu	This is the temperature measured on the coil when the control goes into Defrost mode.
	Def Terminate	40°F–60°F (4°C–15.5°C)	50°F (10°C)	Installer/ Service Sub-menu	If the coil temperature reaches this setpoint, Defrost will terminate. Other Defrost algorithms are still operating behinds the scene.
	Outside Lockout	Off, 30°F–50°F (-1°C–10°C)	Off	Installer/ Service Sub-menu	The installer can program the control to Lock out operation of the unit if a specific outside temperature is measured. Off allows operation at any ambient temperature.
	Set Model Type	HEAT ONLY, POWER DEFROST, HEAT/COOL	HEAT/ COOL	Installer/ Service Sub-menu	Set at the factory. Will need to be set by Installer during any replacement of the control board.
	EXV	Disabled, Type 1, Type 2	Disabled	Installer/ Service Sub-menu	Set at the factory on new units. Select "Disabled" if unit equipped with TXV for board replacement. EXV Type 1 is 500 step EXV. EXV Type 2 is 1600 step EXV.
	Change EXV to	Yes/No		Installer/ Service Sub-menu	This screen asks if you really want to change the EXV setting – the UP or DOWN button must be pressed to show YES before the EXV type will be changed.
	Brownout Detection On	On/Off	On	Installer/ Service Sub-menu	This function will shut down operation of the unit if the 24VAC signal drops below 18VAC to protect the unit from Low Voltage. This feature can be turned off as desired.
	Set Factory Defaults			Installer/ Service Sub-menu	Press and hold both the UP and DOWN buttons for 3+ seconds to reset the factory defaults in the control. When reset, the screen will display "Defaults Set".

11. CONTROL SETTINGS

The user can access these control settings by pressing and holding the MENU button for 5+ seconds. Any changes to values are stored into the non-volatile memory when the MENU button is pressed – which also toggles to the next setting. Failure to press any buttons for 60 seconds will cause the screen to revert back to its previous operating mode screen. The user mode can also be exited by pressing and holding the MENU button for 5+ seconds.

NOTE: See "Operational Status Messages" on page 37 for messages that you may see during normal operation.

Set Current Time

This allows setting of the current time. The time is followed by an "A" or "P" for AM and PM respectively. The control has a 24-hour time clock – although it is NOT a 7-day time clock. The time clock is used for control of the pump periods and AUX1 & AUX2 times.

C/F Display

This setting is used to define the units of measure for all temperature readings. Fahrenheit is the default value. You can change the setting to Celsius by toggling the UP or DOWN button and then pressing the MENU button to lock in the change.

Spa Max Temp

This setting is used to define the maximum temperature that the control can be set at for the Spa operation. The range is 65°F – 104°F (18°C – 40°C). The default value is 104°F (40°C).

Pool Max Temp

This setting is used to define the maximum temperature that the control can be set at for the Pool operation. The range is 65°F – 95°F (18°C – 35°C). The default value is 95°F (35°C).

Pump Periods

When the Pump Operation in the Installer's Menu is set to "4-Speed Enabled" or "Variable Enabled", this allows the setting of Pump Periods from this menu. When setting this parameter, the control displays "Pump Periods" on the first line of the display. The number of pump periods (0 – 4) is displayed on the center of the 2nd line. Pressing the UP or DOWN buttons increments/decrements the number of pump periods – factory default is 1. If a non-zero number of pump periods is selected when the MENU button is pressed, the control will prompt for On/Off times for each of the selected number of pump periods.

12. TEMPERATURE CONTROL

The control uses the appropriate Pool or Spa setpoint as selected in the Operating mode. The heat demand begins when the water temperature is 0.5°F (0.3°C) or more colder (or 0.5°F (0.3°C) or more hotter in cooling mode) than the setpoint.

13. ADDITIONAL FEATURES

Pump Control

The control is equipped to operate the system pump. The control provides for an output for a single-speed pump (0.75A @ 24 VAC maximum) as well as an output for a variable-speed pump (10mA @12 VDC). Four signals are provided for selection of 4 discrete speeds for a variable-speed pump. The control can be configured to provide a PWM signal on the "Speed1" output. The control will energize the pump at the requested speed for each of the pump periods set in the program mode. If a heat pump demand is present during a scheduled pump operation, the pump runs at the override speed (Speed 1) regardless of the scheduled speed. When the pump is active because of scheduled operation and there is no active heat demand, the control sets the 3-ways valve outputs to the states set in the program mode schedule.

Low Ambient (Outside) Lockout

The control is equipped with a Low Ambient Lockout feature which will prevent the start of a new cycle if the ambient temperature is lower than the programmed value. This feature is accessed through the Installer/Service Sub-menu as noted in INSTALLER/SERVICE menus on **Table E** through **Table G**. The default value is "OFF", but the temperature can be adjusted between 30°F and 50°F (-1°C and 10°C). This feature can be enabled if it is desired to not operate the unit if the temperature falls below this value. NOTE: This feature will NOT stop the operation of an existing cycle, it will only prevent operation of a new cycle.

An open ambient temperature sensor – display will read "Air Temp -46°F" (-43°C) – will trigger an "Outside Lockout" error if the Low Ambient lockout is enabled. A shorted – display will read "Air Temp 282°F" (139°C) – ambient temperature sensor will also cause the control to shut off the compressor regardless of if the Low Ambient lockout is enabled.

Control Lock Box Mode

The control is equipped with a Control Lockout feature which is accessed by pressing and holding the MENU and DOWN buttons for 5 seconds. The user will be prompted to enter a 3-digit code. A cursor flashes under each digit in the 3 digit code when that digit is being set. Pressing the UP or DOWN buttons increases or decreases the

value and press the MENU button to lock in that value. The cursor moves to the next digit for setting. Once the last digit is selected (pressing MENU) the display will ask to confirm the established Lockout code. Press UP or DOWN button until “YES” is shown and then press the MENU button to confirm this Lockout code.

NOTE: Record this Lockout code for future reference.

Pressing any button when the control is in Lockout Mode will prompt the user for the Lockout code. The display will read “Control Lockout – Enter PIN 000”. If the PIN is entered incorrectly, the display will show “Invalid PIN”. Pressing any button will return the user to the lockout code screen.

Entering the correct Lockout code will result in the display showing “Lockout Cleared” and the display will go to the current operating state of the unit.

Setting for total lockout operation without TIMED SPA operation (only recommended on systems with pool heat only):

1. Press the MENU button until SPA is displayed.
2. Press the DOWN button until the setpoint temperature has been reduced to 65°F (18°C) or lower.
3. Press the MENU button for the next mode selection and set the desired setpoint temperature for each mode as appropriate.
4. Program the Control Lock Box mode as noted above.

AUX Mode

The control has the capability to control two auxiliary outputs for various external uses (rating is 0.75A @ 24VAC max.). There are 4 selectable modes within the Installer/Service Sub-menu for auxiliary mode control. These include: AUX OFF (default), AUX OUTPUT, REMOTE OUT, and EXT HEAT. The control allows setting ON and OFF times for these 2 auxiliary outputs in the Installer/Service Sub-menu.

1. AUX OUTPUT – When AUX OUTPUT is selected, the AUX1 and AUX2 outputs turn ON/OFF from the time schedule loaded into the control at installation. Time schedules for each output are independent of each other. If the OFF time is before the ON time, the control will assume the Aux output is to be energized over midnight. If the time of day is not known due to a clock failure, the AUX output schedules are not run.
2. REMOTE OUT – When REMOTE OUT is selected, the AUX1 output is used to control another pool heater (gas, heat pump or solar). This feature is ideal for when using a HEAT PUMP / GAS HEATER combo, where a Gas Heater will be providing ‘back up’ heating for your Heat Pump. Gas Heaters are usually used to assist when the temperature is too cold for a Heat Pump to heat the pool/spa water effectively on its own, or when the target temperature will require a larger amount of BTUs than what the

Heat Pump Pool Heater can provide on its own, during a given time and/or outside conditions, in order to be achieved within the operator’s desired window of time. A Heat Pump, as the more efficient heating device when used in conjunction with a Gas Heater, should be the equipment in control of monitoring the pool/spa water temp and deciding whether there is a Call for Heat. In the REMOTE OUT mode, the ‘Ext. Heater’, i.e. Gas Heater, is not allowed to heat the water unless the Heat Pump is on as well.

To take advantage of this feature, set the Heat Pump to the desired Target Temp, and then set the Gas Heater to the temperature from which the Heat Pump will no longer truly need assistance. For example, if your dealer/installer’s calculations, or prior experience, determines that on your particular pool/spa, the Heat Pump will no longer need assistance getting the water to a desired temp of 80°F (27°C) once the water reaches 70°F (21°C), set the Heat Pump to 80°F (27°C) and the Gas Heater to 70°F (21°C).

The AUX1 output energizes 10 seconds after the first unit/Heat Pump’s compressor and de-energizes when the first unit/Heat Pump’s compressor de-energizes. AUX2 output is always OFF in this configuration.

REMOTE OUT (Multiple Heat Pumps) – The “Lead Heat Pump” can control one or more “follower Heat Pump” with a single setpoint temperature. The AUX1 output energizes 10 seconds after the “Lead Heat Pump” compressor and de-energizes after the “Lead Heat Pump” compressor de-energizes. AUX2 output is always OFF in this configuration.

3. EXT HEAT – When EXT HEAT is selected, AUX1 output is energized whenever there is a 1st stage heat demand. This allows the use of a solar system in conjunction with this unit and the control will operate the solar system first and only bring this unit on if the heating demand is NOT being met by the solar system. AUX2 is always off in this configuration.

The 2nd stage heat pump demand is initiated when water temperature has remained more than 0.5°F (0.3°C) colder than the heat setpoint for more than 2 hours, or when the water temperature is 1.5°F (0.8°C) or more colder than the heating setpoint.

Remote Pool Operation

REMOTE Mode is accessed by pressing and holding the UP and DOWN buttons simultaneously for 3 seconds. When exiting the REMOTE mode, the control always selects the OFF Mode. If the UP, DOWN or MENU buttons are pressed while in REMOTE mode, the display will read “Exit Remote Mode to Adjust Temp”. Mode and temperature setpoints are not changed. Press and hold the UP and DOWN buttons for 3 seconds to exit REMOTE Mode.

On HEAT/COOL models, the control displays “Remote Pool” on the first line of the display while the 2nd line displays “Cool”, “Heat” or “Auto”. Factory default is “Cool”. The control uses the value selected when the MENU button is pressed to advance to the next item. This programming is done from the Installer/Service menus.

Pool Heat Mode

The control is equipped with a mode which will automatically heat the pool to the heating setpoint established in the User’s menu.

Pool Cool Mode (HEAT/COOL models ONLY)

The control is equipped with a mode which will automatically cool the pool to the cooling setpoint established in the User’s menu.

Pool Auto Mode (HEAT/COOL models ONLY)

The control is equipped with a mode which will automatically heat and cool the pool within the range of the heating setpoint plus the Cooling Deadband (2-10°F (1.1-5.5°C) adjustable – default 6°F (3.3°C)) established in the Installer/Service Sub-menu. Example – pool heating setpoint set at 80°F (27°C) and Cooling Deadband set at 6°F – unit will automatically heat the pool if the temperature drops below 80F (27°C) and will automatically cool the pool if the temperature is above 86°F (30°C).

TIMED SPA Mode

The control is equipped with a mode which will heat the spa to the Spa Setpoint temperature for a specified period of time selected in the TIMED SPA mode setup. NOTE: The Spa setpoint temperature CANNOT be changed when operating in this mode. This functionality will override all other program settings for the period of time selected by the user during the TIMED SPA initiation.

▲WARNING: If the Spa heating (in a pool/spa system) is controlled by an external controller, 3-way valves MAY need to be manually adjusted in order to use the TIMED SPA feature of this heat pump. Failure to properly adjust the 3-way valves may result in overheating of the pool water or other undesirable results.

1. To activate the TIMED SPA feature, press the MENU button until “TIMED SPA” is displayed on the top line of the display.
2. Press the UP or DOWN buttons to select the desired duration of spa heating (up to a maximum duration of 6 hours in 15-minute increments).

3. The timer will start to count down from the selected period of time and the unit will operate to heat the spa water based on the previously selected spa setpoint temperature setting.

When the TIMED SPA timer has expired, the control will return to the previous mode that it was in when TIMED SPA was selected.

Fault History

The control is equipped to maintain fault history in the Installer/Service menu. It will retain the last 10 faults (starting with the most recent). If the fault history exceeds 10 events, the earliest fault drops off when a new fault occurs. NOTE: There is no time/date stamp associated with each fault. This history is intended to simply show what faults the unit has experienced.

When the “Faults Last” shows on the display, pressing the UP button toggles to the most previous fault. Pressing the UP button toggles through the recorded faults. The faults are labeled on the first line of the display as Faults Last, Faults 2, Faults 3, etc.

Consecutive identical faults are only stored once.

Run Hours/Cycles

The control is equipped to monitor the number of run hours of the unit and the cycles of operation. This is accessible through the Installer/Service menu. These values are not resettable. The “Run Hours” tracks the number of hours that the compressor has been energized. This data is stored in non-volatile memory each time the demand for heat is satisfied. Hours and minutes are stored, although only hours are displayed. The “Cycles” tracks the number of times that the compressor has been energized.

Compressor Start Delay

The control is equipped with a compressor start delay to prevent short-cycling of the compressor. The control will not energize a compressor unless the compressor has been off for at least 3-minutes. When this situation arises, the display shall read “Comp Start Delay” until the timer clears and the compressor starts.

Minimum Run Time

To ensure proper operation of the compressor and longest life, the control has a minimum run time for the compressor of 3-minutes. If the setpoint is reached within 3-minutes, the compressor will continue to run for 3-minutes unless (1) the high pressure switch trips, (2) the water pressure switch trips, (3) the high temperature limit is reached, or (4) the user selects “OFF” mode.

Defrost Operation

The control is equipped with several defrost algorithms depending on the configuration of the unit (HEAT ONLY, POWER DEFROST or HEAT/COOL).

On HEAT ONLY models, the control initiates a defrost cycle when the coil temperature falls to the “Defrost Temp” setpoint (24°F (-4.4°C) default) established in the Installer/Service sub-menu. The compressor will shut off, but the fan will continue to operate to pull warmer air across the coil in an effort to defrost the coil. When the control sees a rise in the coil sensor temperature equal to “Defrost Temp” + “Defrost Deadband” (10°F (5.5°C) default) or after 15 minutes have passed, the unit will exit the defrost cycle and will return to normal heating operation based on the current water temperature and setpoint temperature.

On POWER DEFROST models, the control initiates a defrost cycle when the coil temperature falls to the “Defrost Temp” setpoint (35°F (1.6°C) default) established in the Installer/Service sub-menu. The compressor will continue to operate (as well as the fan) and a solenoid valve will open allowing a portion of the hot refrigerant gas to bypass the heat exchanger and be directed back to the coil to warm the coil for defrost. When the control sees a rise in the coil temperature equal to the “Def Terminate” value established in the Installer/Service sub-menu (50°F (10°C) default), the solenoid valve will shut and the unit will return to normal heating operation based on the current water temperature and setpoint temperature.

On HEAT/COOL models, the control initiates a defrost cycle based on a programmed algorithm involving current and baseline ambient temperatures, and current and baseline coil temperatures when the coil temperature drops below the “Defrost Temp” set in the Installer/Service sub-menu. Factory default is 35°F (1.6°C). The control shuts off the fan and activates the reversing valve so the hot refrigerant gas is directed to the coil to defrost the coil. When the coil sensor sees temperatures above the “Def Terminate” value set in the Installer/Service sub-menu, the unit returns to normal operation based on the current water temperature and setpoint temperature.

NOTE: On Power Defrost and Heat/Cool models, the initial defrost after power ON is a “sacrificial” defrost where the coil might freeze up more than expected. The control is learning the parameters of the installation to establish clear coil temperature conditions for future defrost operation.

3-Way Valve Control

NOTE: Pump operation must be enabled through Service/Installer Sub-Menu to operate 3-way valves – whether or not the heat pump control will actually control the pump or not.

The control is equipped to operate system 3-way valves. The control will set the 3-way valves to the state requested when there is an active thermostat demand for spa

heat, pool heat or pool cool AND when Pump operation is enabled through the control. This takes priority over positions requested by Pump Schedule operations. If the control also operates the pump, the pump will shut off for 30 seconds before the valves change state so as to not have to fight pump head pressure during change of position. During this change, the display will show “Valve Chng Delay”.

The 3-way valves are field installed to the #38-40 & #41-43 terminals on the terminal strip inside the junction box of the unit. The initialization of the 3-way valves is set in the Installer/Service sub-menu.

If the water pressure switch (or water flow switch) is closed when the control needs to change the 3-way valve position, the control displays “WPS Closed” and waits indefinitely with the pump and compressor off until the water pressure switch (water flow switch) opens. After it senses the open switch, the control switches the 3-way valves and resumes normal operation.

If no thermostatic demand is requesting operation and the pump is being run from scheduled pump periods, the control sets the 3-way valves to the states requested in the pump period mode schedule.

When there is no demand for pump output because of manually selected OFF mode, no thermostat demand or no scheduled pump period, the control leaves the 3-way valves in their last commanded state. Valve outputs will not change until there is an active request for them to be in a different state.

The rating of the control contacts is 0.75A at 24VAC maximum.

⚠ WARNING: If the Spa heating (in a pool/spa system) is controlled by an external controller, 3-way valves MAY need to be manually adjusted in order to use the TIMED SPA feature of this heat pump. Failure to properly adjust the 3-way valves may result in overheating of the pool water or other undesirable results.

Battery Back-up

The control is equipped with a battery to maintain control settings through power outages. This is located on the upper right rear corner of the control. Replace as necessary with a BR2032, 3V battery.

High Water Temperature Limit

The control is equipped with a high water temperature limit which will shut off operation of the compressor if either water temperature sensor reads at or above 108°F (41°C). The display will read “Hi Water Temp”. The compressor will remain locked out until both sensors are below 103°F (40°C) and the user presses the UP button. The high temperature limit is active in all modes of operation.

High Pressure Switch Lockout

If the high pressure switch opens, the control de-energizes the compressor output and the fan continues to run for 15 minutes after the HPS opened and the display will show “Hi Press Trip”. If the high pressure switch trips 7 times in a single cycle, the display will show “Hi Press Lockout” and the unit will be locked out of operation for 4 hours. The unit will automatically reset after 4 hours or the lockout can be manually reset by pressing the MENU button or cycling the power. The high pressure switch must close for 3 seconds for the control to recognize it as closed.

Low Pressure Switch Lockout

The control ignores an open low pressure switch for the first 30 seconds after the compressor is energized. If the low pressure switch opens for 3+ seconds any time after this 30 second period, the compressor will shut down and “Lo Press Trip” will show on the display. If the low pressure switch trips 6 times in a single cycle, the display will show “Lo Press Lockout” and the unit will be locked out of operation for 4 hours. The unit will automatically reset after 4 hours or the lockout can be manually reset by cycling the power. The low pressure switch must close for 3 seconds for the control to recognize it as closed.

Water Pressure Switch

The control monitors the water pressure switch (or flow switch - if so equipped). If the pump has run for 3+ seconds, there is a demand for compressor and the water pressure switch is open, the control will prevent the compressor from running and show “Water PS Open” on the display. The water pressure switch is checked to ensure that it is open BEFORE allowing the 3-way valves to switch. This ensures that the pump is OFF before trying to change the 3-way valve positions.

Sequence of Operation

1. Upon initial application of power, the heater control briefly sets all segments on the LCD at power-up.
2. The control displays the current software revision and the model type configuration on the LCD for 2 seconds and then resumes the user selected mode it was in before power was interrupted.
3. Setpoints are read from non-volatile memory. If the checksum of the setpoints indicates corrupted values, “EEPROM Fault” is displayed on the LCD and operation is inhibited until setpoints are manually set.
4. If unit type has not been set (like during the replacement of the heater control), the control prompts the user to set the model type before any device operation is enabled.
5. Upon initial installation, there are several items that must be defined and programmed depending on the configuration and accessories intended to be controlled by the heater control. These include: (1) 3-way valve control (Yes or No), (2) Pump control (Yes or No and then what type of control – 4-speed control or variable-speed control), (3) Auxiliary control (Yes or No and then what type – External Heat, Auxiliary Output or Remote Output).
6. Once these choices are made, then additional information relating to the establishing of pump periods, pumps speed during each period and Return/Suction Valve positions during each period must be determined and set in the control.
7. The options for the control can be very simple or quite complicated, depending upon the needs of the installation.
8. Once programming is completed, the control is ready for operation.
9. The user may select “ON” for several operating modes depending on the unit type. Each mode is selected by pressing the MENU button to cycle between the modes. Each press of the MENU button selects the next mode. There is no automatic increment from continually pressing the MENU button. In fact, continually pressing the MENU button (for 3+ seconds) will move the user into the USER Menu.
10. Mode Selection:
 - For HEAT ONLY and POWER DEFROST models, the mode selections are OFF – POOL HEAT – SPA – TIMED SPA.
 - For HEAT/COOL models, the mode selections are OFF – POOL COOL – POOL HEAT – POOL AUTO – SPA – TIMED SPA.
11. REMOTE Mode is accessed by pressing and holding the UP and DOWN buttons simultaneously for 3 seconds. When exiting the REMOTE mode, the control always selects the OFF Mode.
12. If the UP, DOWN or MENU buttons are pressed while in REMOTE mode, the display will read “Exit Remote Mode to Adjust Temp”. Mode and temperature setpoints are not changed.
13. Press and hold the UP and DOWN buttons for 3 seconds to exit REMOTE Mode.
14. When operating, the unit will continue to operate until the water temperature is 0.5°F (0.3°C) above/below setpoint (below for cooling), until a defrost condition is needed or the unit is manually turned off.
15. The unit will remain in standby waiting for the next demand.

Controls

Your heat pump pool heater incorporates digital safety controls and indicators to ensure its safe, reliable operation.

Digital Water Temperature Control: The pool water temperature is controlled by the heater's digital control system, which gives you the option of two settings: one for the desired spa temperature and the other for the desired pool temperature. Additionally, as mentioned earlier, the unit is compatible with most '2-wire' and '3-wire' control/automation systems.

14. DIGITAL CONTROLS OPERATING INSTRUCTIONS

The electronic board has the capability of memorizing two different programmed temperature settings as follows:

- For a pool, maximum 95°F (35°C)
- For a spa, maximum 104°F (40°C)

To Increase or Decrease the Desired Water Temperature (Pool or Spa Mode)

With the MENU in either Pool or Spa mode, simply press the UP or DOWN buttons to raise or lower the setpoint. Holding the UP or DOWN button will increment the setpoint 1 degree at a time, but continuing to hold either button will result in a "Speed-Up" mode which will increase the speed of number changes.

Select Temperature in °C or °F

Press the MENU button for 3+ seconds to enter the USER Menu. Once in the USER Menu, toggle to the 2nd entry and using either the UP or DOWN buttons, change the temperature readings into °C or °F. When complete you can press and hold the MENU button for 3+ seconds to return to the operating mode or simply wait and the program will automatically return to the operating mode in 180 seconds.

15. HEAT/COOL OPERATION

Some models are equipped to provide both heating and cooling to the pool.

NOTE: Remove the pool/spa blanket and turn on any fountains, sprays or other water features and also run your system at nighttime to speed the cooling process.

When the unit has been operating in the heating mode for a few minutes, the discharge air temperature should

be 8°–10°F (4.4°–5.5°C) cooler than the air entering the unit.

When the unit has been operating in the cooling mode for a few minutes, the discharge air temperature should be 8°–10°F (4.4°–5.5°C) warmer than the air entering the unit.

NOTE: Heating is more efficient during warmer daylight hours and cooling is more efficient during cooler nighttime hours.

16. SYSTEM START-UP

1. Verify that the Digital Board is displaying a temperature and the pool pump is running and water is circulating properly.
2. Verify that the Board is programmed so that the desired temperature of the Pool and/or Spa is higher than the displayed current water temperature.
3. Allow the heater to operate for a few minutes to stabilize operating pressures and to allow various component temperatures to normalize.
4. Verify that the discharge air temperature is approximately 8°–10°F (4.4°–5.5°C) cooler than the air entering the unit (in heating mode). If not, see "Troubleshooting".

17. SEASONAL START-UP OR ANNUAL CHECK

NOTE: At the beginning of the heating season or whenever the pool water temperature is to be raised several degrees, the pool pump and heat pump pool heater may need to operate continuously for several days. During summer months, only a few hours per day may be necessary or none at all.

1. Remove leaves, pine needles, etc., from the evaporator coil. Clean the coil by gently applying a mild solution of household liquid soap and water.
2. Remove the side louvered panels by removing the single screw at the top of each louvered panel. Lift and pull the bottom out. The panel will easily come away from the cabinet giving access to the coil for cleaning.
3. Gently rinse the coil with water; DO NOT use high pressure.
4. Re-install the side louvered panels and secure each with the single screw at the top center of each panel.
5. Backwash or otherwise clean the pool filter. If necessary, clean the skimmer basket and pump strainer.
6. Set the valves to ensure proper water flow through the unit.

NOTE: If the pool pump and heat pump pool heater shut OFF before the water temperature is raised to the desired level, you must lengthen the running time of both. To do this, reset the time clock dial for the longer running time, or manually operate the pump with the timer override switch. Since the heater capacity and efficiency are both greater at higher ambient air temperatures, run time should be set to take advantage of all daylight hours, when the air is generally warmer.

18. SUMMER SHUTDOWN

If you do not plan to use the heater during the summer months, secure and protect it as follows:

1. Turn the unit circuit breaker or disconnect switch to OFF.
2. Leave the valves set the way they are unless additional circulation is required. DO NOT stop all flow through the heater.
3. IMPORTANT: Remember to reset the valves before the next heating season, or the unit will not operate properly.

19. FREEZE PROTECTION

If the unit is installed in a location subject to freezing conditions, it is important to protect the water circuit from freezing, just as should be done for the pump and filter.

System Drain-Down

1. Turn the unit circuit breaker or disconnect switch to OFF.
2. With the pool pump OFF, close the external shut-off valves and remove the drain plugs located in the inlet and outlet water unions to allow water to drain.

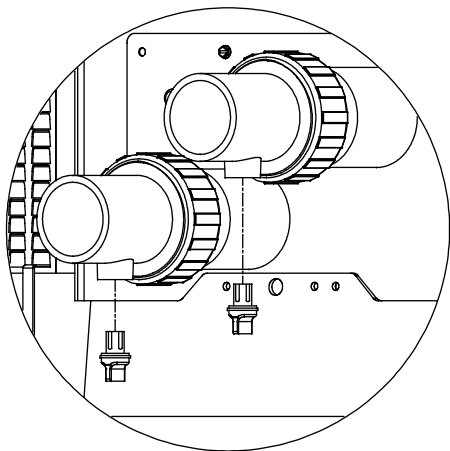


Figure 9. Drain Plugs Locations

3. Use a wet/dry vac or air pressure to remove excess water - as necessary.
4. Once the water is drained, reinstall the drain plugs.
5. Cover the unit with a waterproof cover.

Continuous Pump Operation

It is also possible in some areas to prevent unit freeze damage by operating the pump continuously during freezing weather. However, this results in significantly higher pump operating costs. Further, if a sustained power failure occurs, the unit MUST be drained any- way, or freeze damage could result.

NOTE: The heater MANUFACTURER IS NOT RESPONSIBLE for maintenance adjustments.

20. MAINTENANCE

The following maintenance procedures are designed to keep your unit operating at a high level of reliability. Maintenance must be performed on a periodic basis to maintain warranty coverage and prevent system failures and performance degradation.

CAUTION: To clean the fins, remove the side louvered panels and spray gently with a garden hose. DO NOT pressure wash. Doing so will bend the fins and can void the warranty.

Air Coil Cleaning

Efficient operation depends on free circulation of air through the thin and tightly-spaced fins of the evaporator coil(s). The evaporator must be cleaned whenever it has a buildup of dirt or debris.

Cabinet Care (optional)

WARNING: Shut OFF electricity to the unit before cleaning.

The powder coated cabinet is designed for outdoor use and requires little care. However, you can clean it if you wish. Wash the cabinet with soap and water.

Unplug Condensation Drain Holes

The unit extracts humidity from the air as it passes through the coil, similar to the way a cold drink outside “sweats” on a hot day. This condensation drains from the bottom of the unit.

1. Routinely check to be sure the condensation drain holes in the base of the unit are not plugged with dirt or debris. See **Figure 10** for condensate drain hole locations.
2. If condensation becomes a problem, optional drain pans may be available from your heat pump pool heater distributor or pool dealer.

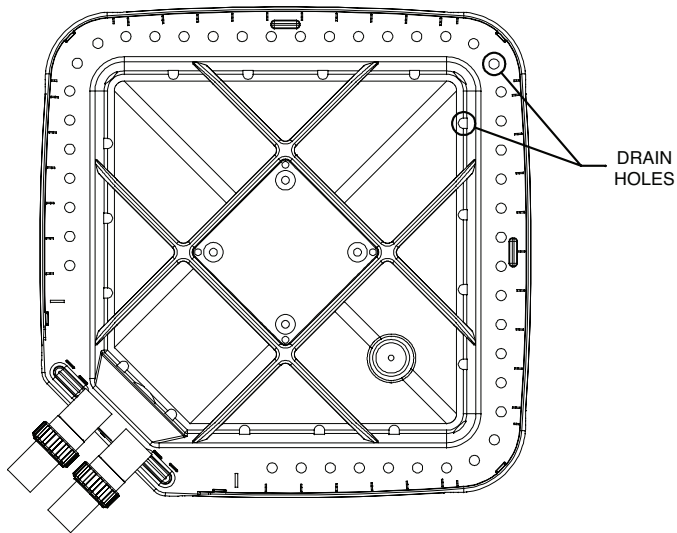


Figure 10. Condensate Drain Hole Locations

21. TROUBLESHOOTING

If your unit does not operate, or simply does not heat your pool water, Fault Messages on the front control panel can provide valuable clues as to what is wrong, and may even indicate precisely what the problem is. Always observe these messages before calling a service representative. By reporting on the telephone the Fault Messages that are showing, the service rep may be able to solve the problem without the expense of a service call.

A. Unit Is Running, But Not Heating

- Is water flow through the unit adequate? Check the unit for obstructions, such as a clogged filter pump strainer, a dirty filter, or valves not positioned correctly.
- Is the ejected air from the unit 8°–10°F (4.4C–5.5C) cooler than incoming air? If so, the unit is extracting heat from the air and transferring it to the pool.
- Is water condensing on the evaporator and internal copper pipes? This is also evidence of heat removal from the air. When the air is cool with low humidity, condensation may not be evident.
- How long has the unit been operating? During initial pool heating in cold weather, it may require a week to elevate the water temperature to a comfortable level. Normally, it takes about 4 days.
- How many hours per day is the unit operating? **Remember that the heater only operates while the pool pump is running.** Set the time clock to permit 24 hour per day operation. After the desired temperature is reached, return the unit to normal operation of 8–10 hours per day.
- Is airflow through the unit being obstructed? Restrictions such as shrubbery, tall grass, dirty coils, or any other obstruction to airflow will reduce performance.

- Is the pool blanket/cover being used? Unblanketed pools can lose up to 10°F (5.5°C) per night compared to 4°F (2.2°C) or fewer when a blanket is used. Without a blanket, the total heat gained during the day can be lost overnight.
- Are rapid heat losses occurring in some other way, such as high wind, spillage, rainfall, flow through solar panels at night, or a high water table?

NOTE: If the pool pump and heat pump pool heater shut OFF before the water temperature is raised to the desired level, you must lengthen the running time of both. To do this, reset the time clock dial for the longer running time, or manually operate the pump with the timer override switch. Since the unit capacity and efficiency are both greater at higher ambient air temperatures, run time should be set to take advantage of all daylight hours, when the air is generally warmer.

B. Unit Is Not Running

- Is the temperature display ON? If not, the circuit breaker may be shut OFF or tripped. Reset the breaker by switching it OFF, and then back ON. Verify that the breaker is set and operating properly before calling for service.
- Are the Pool/Spa settings correct? Verify that the temperature has been properly set on the thermostat, and that it is higher than the current water temperature.
- Have you waited approximately 5-minutes for the time delay? After the unit has been running and then shut OFF for any reason, there is a delay before operation can begin again. The display will read “Comp Start Delay” when this 5-minute delay is active.

NOTE: The heater will not run when the Remote position is selected on the Pool/Spa control and there is no remote control system attached.

C. Condensation Seems Excessive

Heat pump pool heaters can produce a large amount of condensation (water) during operation. If you suspect that the unit is leaking:

- Shut the unit OFF and leave the filter pump running to see if the water stops dripping. If the water stops dripping, the unit is not leaking.

NOTE: Use a pool chemistry test kit to confirm there is no chlorine in the water.

Troubleshooting

Before troubleshooting the system, ensure that:

- All mechanical and electrical connections are secure and tight
- All system wiring is correct
- Fuse is not blown (3A Automotive “ATO” type fuse for 24VAC)
- That a system ground is properly connected to the heater. Nuisance shutdowns are often caused by a poor or erratic ground.

The service display can be accessed by pressing and holding the UP and MENU buttons for 3+ seconds. The service display does not affect operation of the unit which continues to operate in the background. When in this mode, pressing the UP or DOWN buttons will toggle through the various information reported. Some items (Fault History and Sensor Temperatures) have multiple values (press UP or DOWN buttons to scroll through the additional information). The service display mode may be exited to return to the previous display by pressing the UP and MENU buttons or it will automatically be exited if no button is pressed within 60 seconds.

Operational Status Messages

The following operational status messages are displayed in Pool, Spa, and Remote operating modes.

Message	Description	Recommended Troubleshooting
Comp Start Delay	Notification that the compressor is under a 3-minute delay before turning On. This can be bypassed by pressing the UP and DOWN buttons simultaneously.	Nothing wrong – just notification as to why the unit is not currently operating.
Valve Chng Delay	Notification that the 3-way valves are being commanded to change positions Pool to Spa or Spa to Pool.	Nothing wrong – just notification as to why the unit is not currently operating.
WPS Closed	3-way valves not switched because water pressure switch still closed.	Check settings – pump operation Disabled?
Defrost	Unit is performing a Defrost cycle.	Nothing wrong – just notification as to why the unit is not currently operating.
Heating	Unit is operating and running a heating cycle.	N/A
Cooling	Unit is operating and running a cooling cycle.	N/A
External Heat	The AUX Mode setting is set to EXTERNAL HEAT meaning an external device (solar heating system) is running 1st stage instead of the heat pump.	Verify desired settings.
Outside Lockout	The compressor is not running because the ambient temperature is too cold as measured by the Ambient sensor.	Verify Outside Lockout temperature setting. Check Amb Temp sensor value in Installer sub-menu and replace if value is inconsistent with ambient temperatures. Disable this function in the Installer/Service sub-menu if Outside Lockout is not desired.
No Demand	Demand has been satisfied and the unit is in standby.	N/A

Table H. Operational Status Messages

Error Messages

The following error messages are displayed in Pool, Spa, and Remote modes. Consecutive identical faults are only stored once in the Fault History.

Error Message	Description	Troubleshooting
Amb Sensor Fail	Ambient temperature sensor is OPEN or SHORTED.	Replace Amb Temperature sensor.
Coil Sensor Fail	Coil temperature sensor is OPEN or SHORTED.	Replace Coil Temperature sensor.
H2O Sensor Fail	Water temperature sensor is OPEN or SHORTED.	Replace Water Temperature sensor.
Aux Sensor Fail	AUX temperature sensor is OPEN or SHORTED (if equipped).	Replace AUX Temperature sensor.
Hi Press Trip	High pressure switch is preventing compressor from operating.	Check High Pressure switch operation – replace as necessary.
Lo Press Trip	Low pressure switch is preventing compressor from operating.	Check Low Pressure switch operation – replace as necessary.
Hi Press Lockout	High pressure switch has tripped 7 times in a single thermostat demand cycle.	The compressor is locked out of operation for 4 hours with an auto reset. However, this lockout time can be reset by pressing the MENU button or cycling the power. Check refrigerant charge and adjust as necessary. Check for low water flow.
Lo Press Lockout	Lo pressure switch has tripped 6 times in a single thermostat demand cycle.	The compressor is locked out of operation for 4 hours with an auto reset. However, this lockout time can be reset by pressing the MENU button or cycling the power. Check refrigerant charge and adjust as necessary.
Brownout	Compressor not operating due to low 24VAC power supply.	Voltage must be greater than 17VAC for 4+ seconds before compressor operation is enabled. Check supply power to unit and check 24VAC from transformer. Replace/correct as necessary.
Hi Water Temp	Water temperature sensor reads at or above 108°F (42°C). Compressor is prevented from operating.	Temperature measured on water sensor must be below 103F AND the UP button MUST be pressed to reset this alarm.
Remote Error	Both Spa and Pool inputs energized.	Check wiring of remote to the terminal blocks.
Water PS Open	Water flow or water pressure switch is open.	Check water flow. Check settings for Pump Operation.
Outside Lockout	The ambient temperature is lower than the programmed temperature for lockout.	Check Amb sensor – might be OPEN or SHORTED. Change Outside Lockout setting on control – change temp setting or set to OFF to disable Outside Lockout. Wait until ambient temperature rises above setpoint established in installer/service mode.
Control Fault 1	Compressor relay failure.	Auto reset in 1 hour or Recycle control – replace control if fault continues.
Control Fault 2	ROM CRC Failure.	Auto reset in 1 hour or Recycle control – replace control if fault continues.
Control Fault 3	RAM Failure	Auto reset in 1 hour or Recycle control – replace control if fault continues.
Control Fault 4	Software Execution Out of Sequence	Auto reset in 1 hour or Recycle control – replace control if fault continues.
Control Fault 5	Analog to Digital Converter Failure	Auto reset in 1 hour or Recycle control – replace control if fault continues.
Control Fault 6	Analog to Digital Multiplexer Failure	Auto reset in 1 hour or Recycle control – replace control if fault continues.
Control Fault 7	Interrupt Error.	Auto reset in 1 hour or Recycle control – replace control if fault continues.
Control Fault 8	Time of Day Clock Failure.	If the control is unable to read the time of day clock, it logs the fault and disables scheduled pump and aux output settings. Time is displayed as ??:?? in this condition. Recycle control – replace control if fault continues.

Table I. Error Messages

22. SERVICE CALL VERIFICATION

NOTE: The Service number is located on the front of the heater at the brand label.

Before you make a service call, **first** determine if the problem is:

- Warranty Service - must have model number, serial number and date of installation or Warranty Registration confirmation number
- Unit operation (power supply, water flow, or time clock adjustment)

NOTE: The MANUFACTURER IS NOT RESPONSIBLE for these adjustments.

Power Supply

- Verify that all circuit breakers are reset and working properly.
- If the temperature display on the control panel still does not light, contact the installing dealer, since it may be a power problem requiring an electrician.

Water Flow

- Verify that the pool filter is clean to provide good flow.
- Verify that valves are properly positioned to allow adequate water flow through the unit.

Time Clock Adjustment

Verify that the time clock is set to permit the unit to run long enough to heat properly.

Set Factory Defaults

If programming is messed up and no operation can reliably be made, the control board can be reset to Factory Default values as noted in Table D, E or F. This operation changes all adjustable settings to factory default settings.

Enter the Installer/Service Mode by holding the MENU and UP buttons for 3+ seconds. Scroll through the information until you reach the “Installer Menu” screen - press the UP or DOWN button until YES appears on the 2nd line. Press the MENU button to access the additional Service information. Continue to press the MENU button until “Set Factory Defaults” appears on the display. Press and hold the UP and DOWN button for 5 seconds to reset the control to factory defaults. The display will read “Defaults Set” when completed.

NOTE: Previous settings will be erased and are no longer recoverable. All settings will have to re-entered by hand to re-establish proper operation.

Service Access to Heaters

If service access to the heater is required, it is accomplished by removing the control panel to provide a wide access to get to (1) compressor, (2) heat exchanger, (3) TXV, (4) reversing valve/solenoid valve (if equipped), (5) flow switch (if equipped), and (6) sensors (water, ambient and coil). To gain access, follow the steps below:

1. Shut off all power to the unit to avoid any possibility of electrical shock or damage to components.
2. Remove the 5 screws securing the control panel cover from the cabinet (2 each side and 1 in the top panel – see **Figure 11** below). Place the screws in the recessed cups in the molded base.

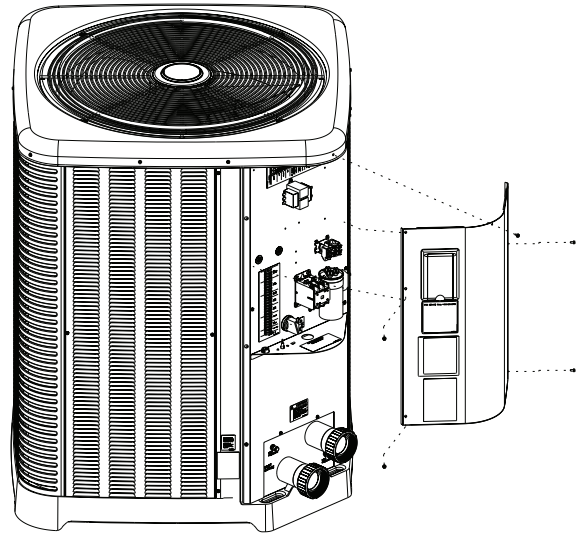


Figure 11. Sheet Metal Screws to Remove Control Panel

3. Remove the multi-pin connectors from the back of the control board (8 connectors in total) – NOTE: You do not need to remove the PL4 connector as this is the ribbon cable from the membrane switch mounted on the control panel.
4. Set the control panel cover aside to reinstall when service is completed.
5. Remove the 4 screws securing the junction box panel to the cabinet (1 each side and 2 by Inlet/Outlet water connections). See **Figure 12**. Place the screws in the recessed cups in the molded base.

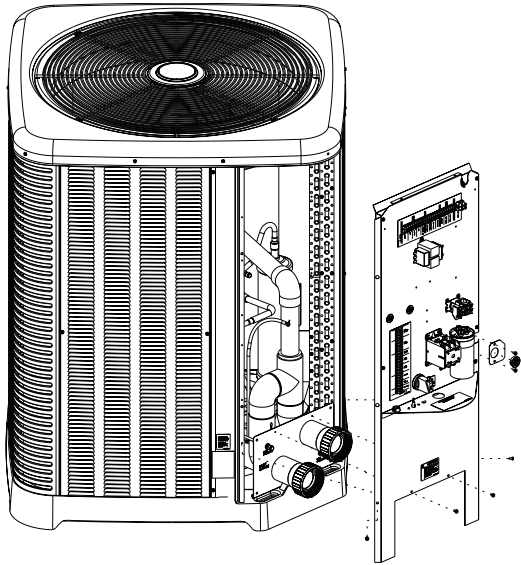


Figure 12. Sheet Metal Screws to remove Junction Box Panel

6. Remove the 2 screws holding the compressor wire retainer to the junction box and place them in the recessed cups in the molded base.
7. Slide the compressor wires out the side of the slot in the junction box.
8. Lift the junction box slightly (hold onto the bottom of the junction box like a handle) and pull out at the bottom to remove the junction box assembly.

⚠ WARNING: Care must be taken with the fan and compressor wires when removing junction box.

9. Slide assembly away from the opening to give access inside the unit. NOTE: The top of the unit may also be removed for greater access as desired.
10. After service, reposition the junction box and insert the top first and lift up until the bottom slides into place against the cabinet and the panel where the Inlet/Outlet water connections are secured.

⚠ CAUTION: Ensure that the fan motor wires are routed into the slot at the top of the junction box. Also ensure that the compressor wires are routed into the slot on the right side of the junction box.

⚠ WARNING: If any wires have come off components during service of this unit, please refer to the wiring diagram on the back of the control panel cover or in the I&O manual to ensure that they are returned to the correct terminals/locations.

11. Reinstall the compressor wire retainer to the junction box with the 2 screws removed in Step #6.
12. Reinstall the screws removed in Step #5 to secure the junction box to the cabinet.
13. Reconnect the multi-pin connectors to the control board.
14. Slide the control box cover into place and secure with the screws removed in Step #2.
15. Turn ON power and start operation as needed.

23. PLUMBING DIAGRAMS

NOTE: Models 2450-4450 – For systems with pumps less than 1-1/2 HP (under 40 GPM / 151 LPM)
Models 5450-8450 – For systems with pumps less than 2 HP (under 80 GPM / 303 LPM)
No external bypass required.

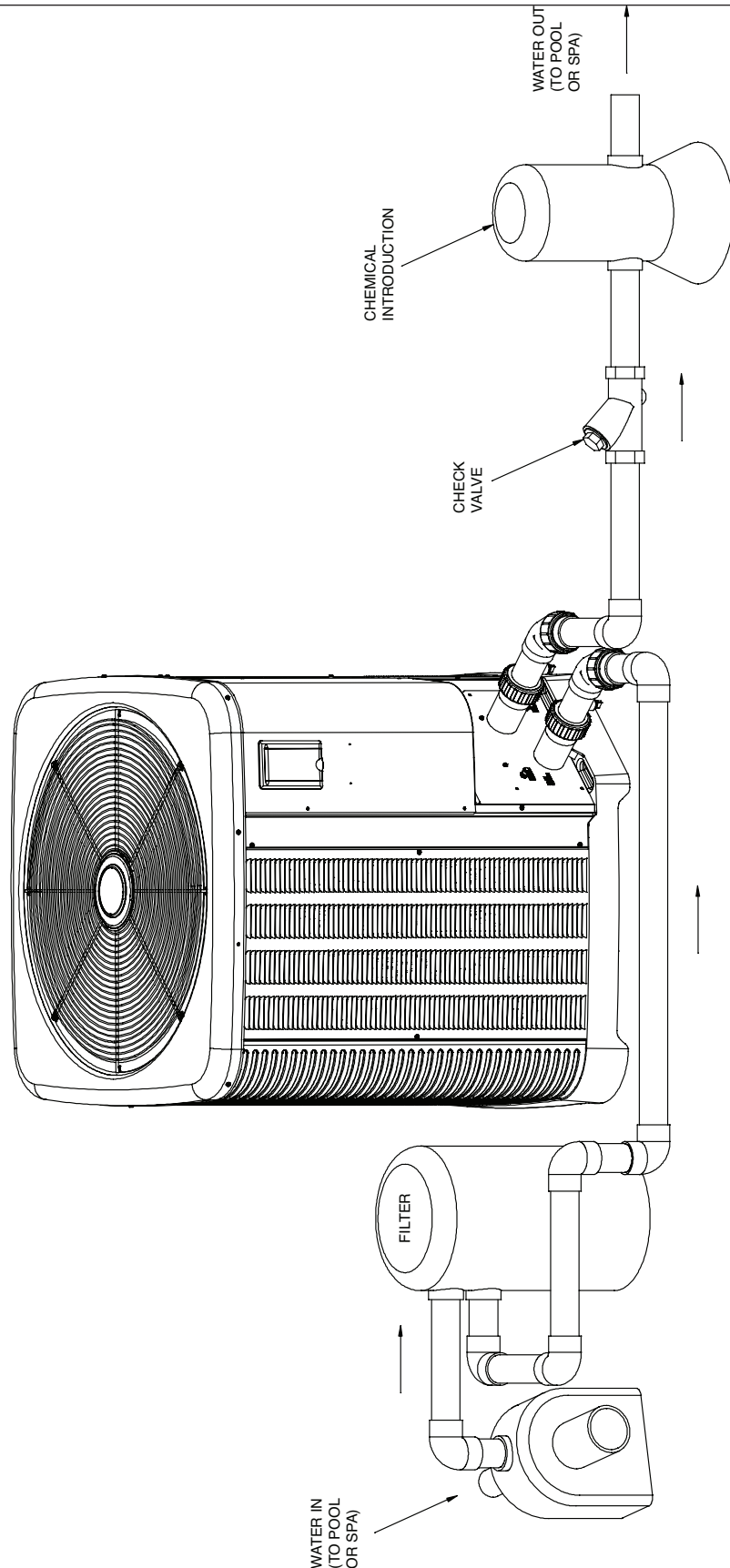


Figure 13. Plumbing Schematic – No External Bypass (Plumb the heater AFTER the filter and before any chlorinators.)

NOTE: Models 2450-4450 – For systems with pumps of 1-1/2 HP or greater (over 40 GPM / 151 LPM)
 Models 5450-8450 – For systems with pumps of 2 HP or greater (over 80 GPM / 303 LPM)
 External bypass required. Adjust the bypass valve to divert a minimum of 20 GPM / 76 LPM (2450-4450)
 or 30 GPM / 114 LPM (5450-8450) through the heat pump pool heater.

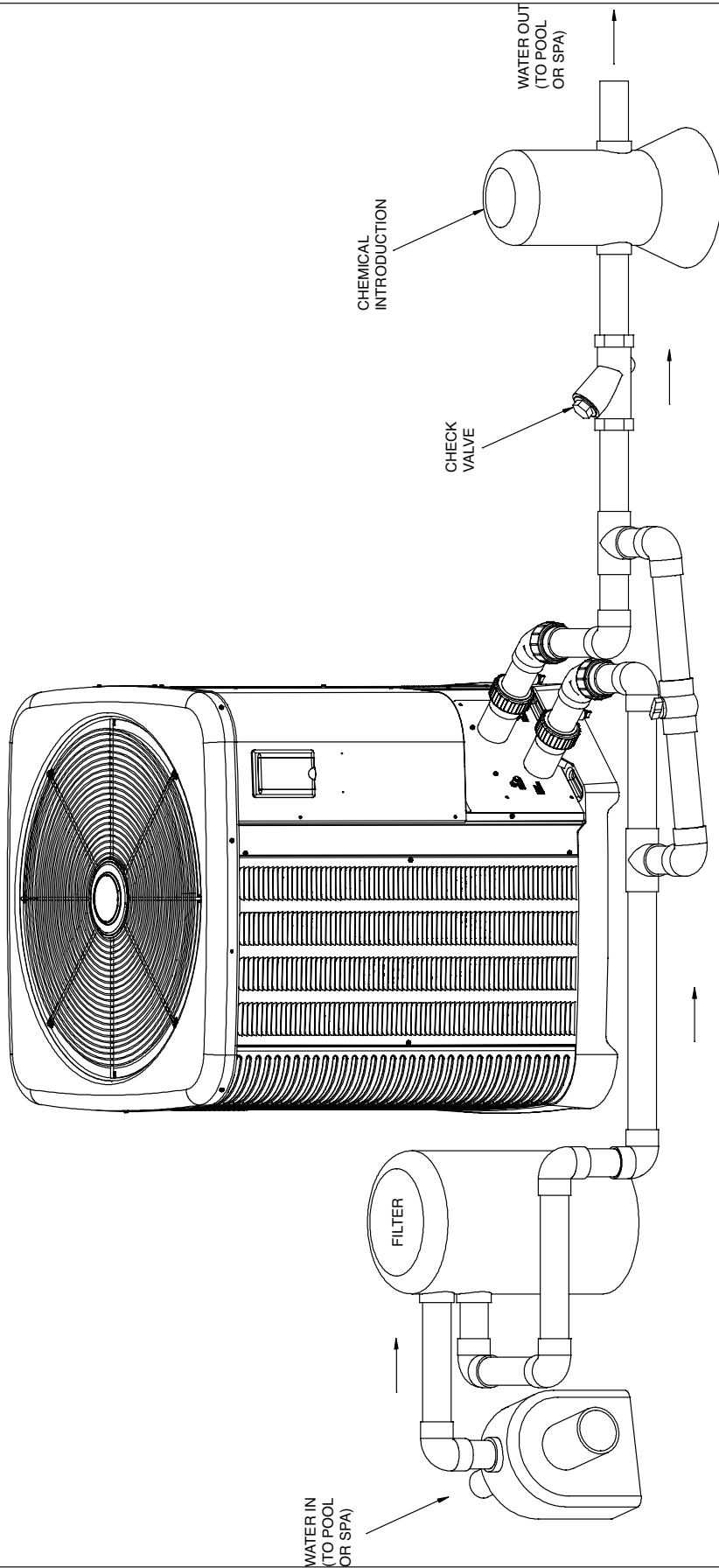
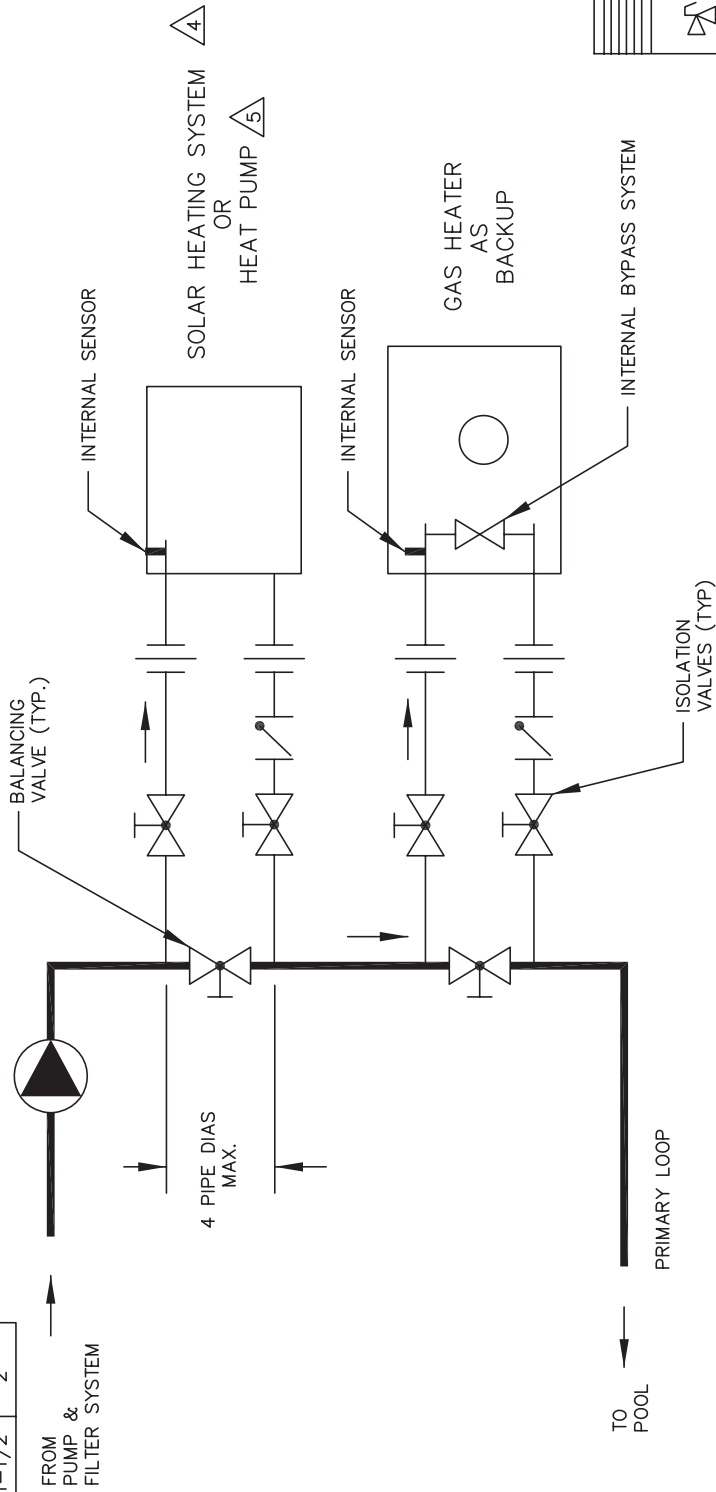


Figure 14. Plumbing Schematic – External Bypass (Plumb the heater AFTER the filter and before any chlorinators.)

MINIMUM PIPE SIZES	
BRANCH	MAIN
130	2"
206-407	2"

THIS PIPING DIAGRAM IS RAYPAK'S RECOMMENDATION AND IS NOT INTENDED TO REPLACE AN ENGINEERED PIPING SYSTEM DESIGNED BY A PROFESSIONAL ENGINEER.



NOTES:

1. PLUMB SWING CHECK VALVE IN GRAVITY-CLOSED POSITION.
2. PIPE ALL RELIEF VALVES TO DRAIN, OR AS LOCAL CODES REQUIRE.
3. MINIMUM PIPE SIZE MUST BE EQUAL TO THE HEATER INLET/ OUTLET SIZE. SEE "MINIMUM PIPE SIZES" CHART ABOVE.

HEATERS SHOWN REPRESENT VARIOUS MODELS. BECAUSE INDIVIDUAL MODELS WILL VARY IN DESIGN AND SIZING, SEE EACH SPECIFIC HEATER TYPE FOR DETAILS.

4 SOLAR SYSTEM MUST BE INSTALLED IN ACCORDANCE WITH SOLAR SUPPLIER'S INSTRUCTIONS INCLUDING, BUT NOT LIMITED TO, PROTECTION AGAINST OVERHEATING AND/OR FREEZE-UPS.

5 HEAT PUMP MUST BE INSTALLED IN ACCORDANCE WITH SUPPLIER'S INSTRUCTIONS INCLUDING, BUT NOT LIMITED TO, PROTECTION AGAINST OVERHEATING AND/OR FREEZE-UPS.

Figure 15. Piping for Heat Pump Pool Heater and Gas Pool Heater

THIS PIPING DIAGRAM IS RAYPAK'S RECOMMENDATION AND IS NOT INTENDED TO REPLACE AN ENGINEERED PIPING SYSTEM DESIGNED BY A PROFESSIONAL ENGINEER.

2450-4450

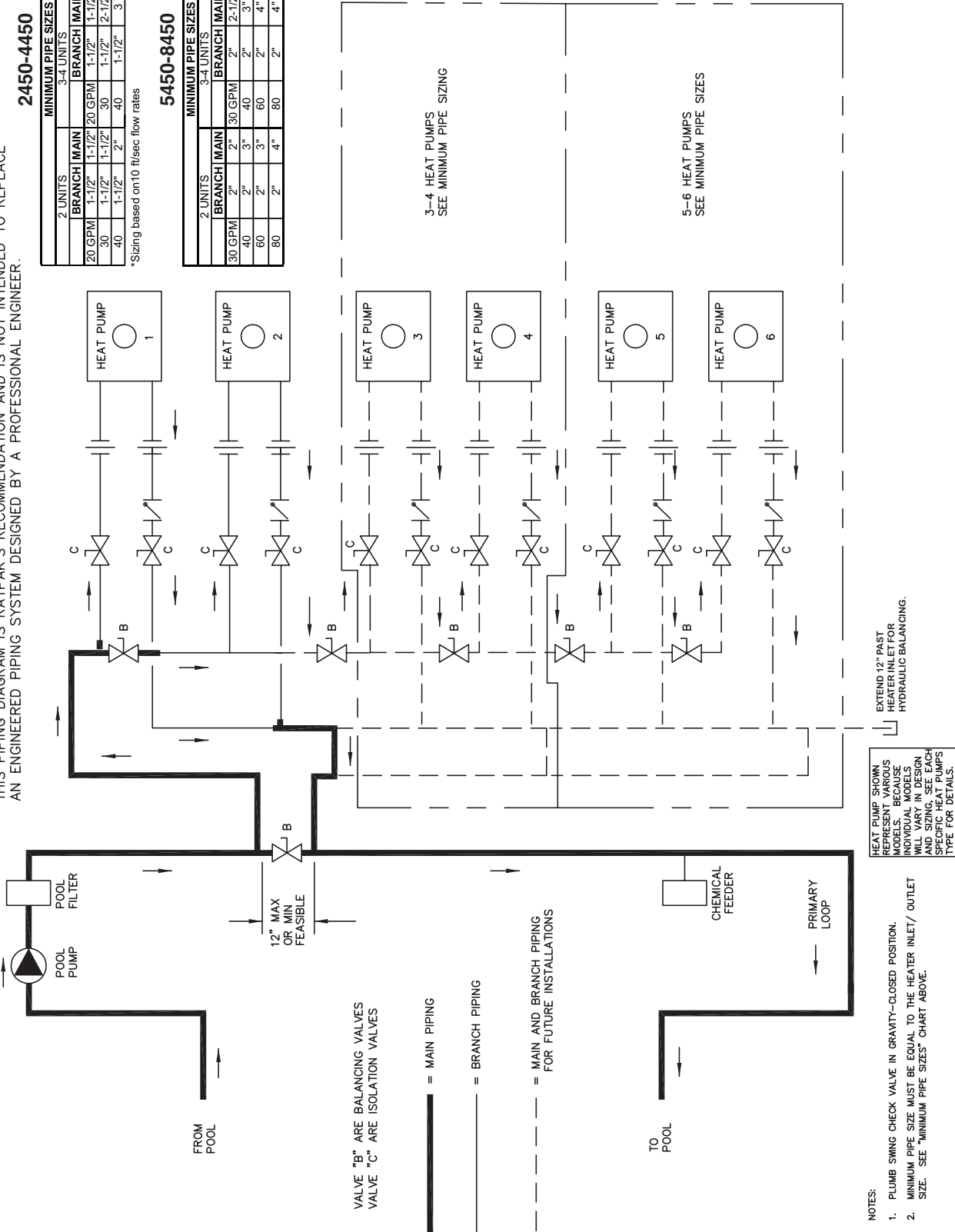
MINIMUM PIPE SIZES					
2 UNITS		3-4 UNITS		5-6 UNITS	
BRANCH	MAIN	BRANCH	MAIN	BRANCH	MAIN
20 GPM	1-1/2"	1-1/2"	20 GPM	1-1/2"	20 GPM
30	1-1/2"	1-1/2"	30	1-1/2"	30
40	1-1/2"	2"	40	1-1/2"	3
					40
					1-1/2"
					4

*Sizing based on 10 ft/sec flow rates

5450-8450

MINIMUM PIPE SIZES					
2 UNITS		3-4 UNITS		5-6 UNITS	
BRANCH	MAIN	BRANCH	MAIN	BRANCH	MAIN
30 GPM	2"	2"	30 GPM	2-1/2"	30 GPM
40	2"	3"	40	2"	4"
60	2"	3"	60	2"	4"
80	2"	4"	80	2"	4"
					80
					2"
					5"
					2"
					5"

KEY	
	PRESSURE RELIEF VALVE
	PUMP
	UNION
	GATE VALVE
	CHECK VALVE
	BALL VALVE
	THERMOMETER

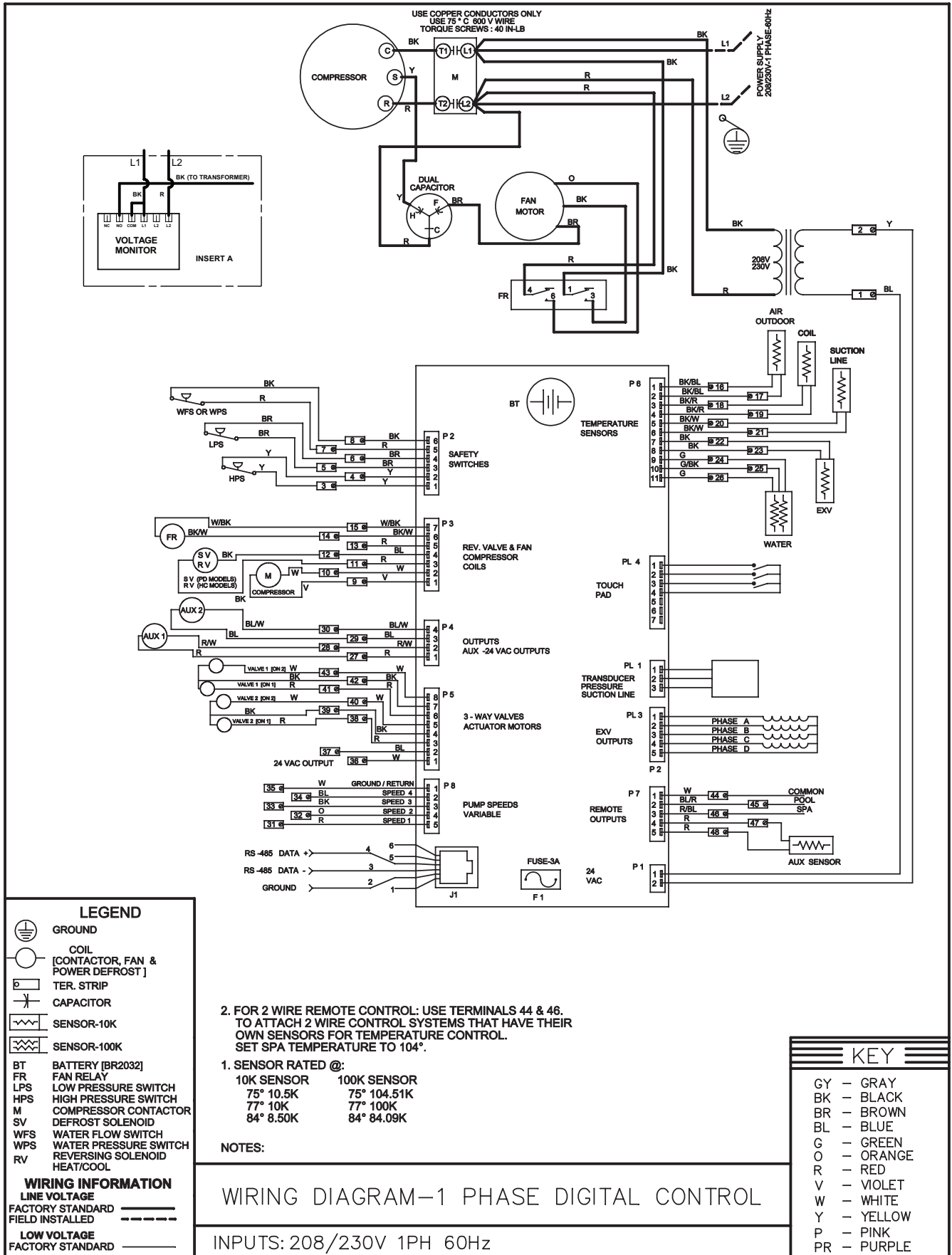


HEAT PUMP SHOWN REPRESENT VARIOUS MODELS. BECAUSE INDIVIDUAL MODELS VARY IN DESIGN AND SIZING, SEE EACH SPECIFIC HEAT PUMPS TYPE FOR DETAILS.

- NOTES:
1. PLUMB SWING CHECK VALVE IN GRAVITY-CLOSED POSITION.
 2. MINIMUM PIPE SIZE MUST BE EQUAL TO THE HEATER INLET/ OUTLET SIZE. SEE "MINIMUM PIPE SIZES" CHART ABOVE.

Figure 16. Piping for Multiple Heaters, Primary/Secondary

24. WIRING DIAGRAM – 208V/230V SINGLE-PHASE – DIGITAL MODELS



25. INSTALLING A REMOTE CONTROL DEVICE

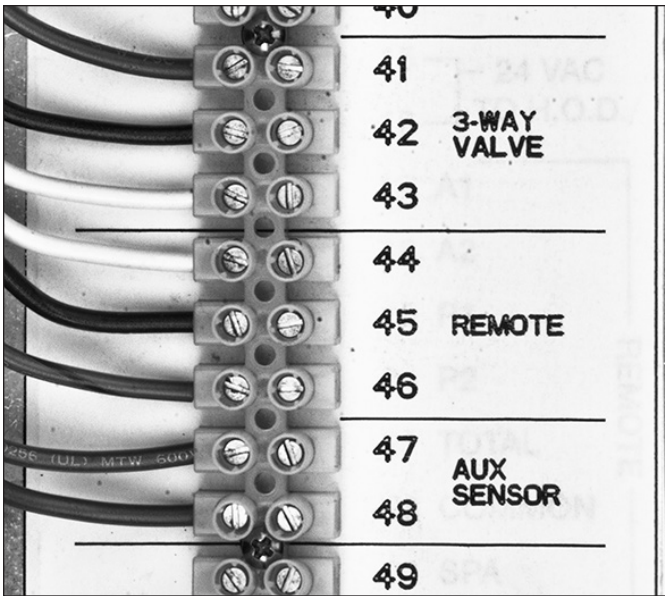


Figure 17. Heater Wiring Block

Automation Controller

Heater 2-Wire Controllers (Heat Only)

1. Install wires from the automation controller for “Heat” on the terminal strip inside the heater on the terminals: # 44 (Com) & # 46 (Spa).
2. Press and hold the UP and DOWN buttons for 3 + seconds to enter the Remote Mode.
3. When in the Remote Mode, the maximum setpoint is the SPA MAX TEMP (104°F (40°C) Default).
4. Press and hold the UP and DOWN buttons for 3 + seconds to exit the Remote Mode.
5. The digital board will default to the OFF mode allowing the user to select the appropriate mode under local control.

NOTE: When the automation controller has a HEAT command the heater is in the SPA mode. When the automation controller does not have a HEAT command the heater is in the OFF mode.

3-Wire Controllers

1. Install wires from the automation controller for “Heat” on the terminal strip inside the unit on the terminals: # 44 (Com), # 45 (Pool) & # 46 (Spa).
2. Set the Remote Pool to “Heat” or “Auto” in the INSTALLER menu. Selecting “Heat” will allow remote heating of the pool. Selecting “Auto” will allow heating & cooling of the pool around the SETPOINT

value established in the USER mode (HEAT/COOL models only). The control will use this value as the Heating setpoint and the Cooling Setpoint will be the SETPOINT + COOLING DEADBAND (established in the INSTALLER menu).

3. Press and hold the UP and DOWN buttons for 3 + seconds to enter the Remote Mode.
4. When in the Remote Mode, the maximum setpoint is the SPA MAX TEMP (Spa) & POOL MAX TEMP (Pool).
5. Press and hold the UP and DOWN buttons for 3 + seconds to exit the Remote Mode.
6. The digital board will default to the OFF mode allowing the user to select the appropriate mode under local control.

2-Wire Controllers For “Chill” Mode – Heat /Cool Models Only

1. Install wires from the automation controller for the “CHILL” mode on the terminal strip inside the unit on the terminals: # 44 (Com) & # 45 (Pool).
2. Set the Remote Pool in the INSTALLER menu to “Cool”.
3. Set the desired COOL SETPT setpoint temperature in the POOL mode.
4. Press and hold the UP and DOWN buttons for 3 + seconds to enter the Remote Mode.
5. When in the Remote Mode, the operating setpoint is the COOL SETPT value established in the USER menu.

NOTE: Heating of the water will automatically occur if the temperature drops to a value equal to the COOLING DEADBAND degrees below the cooling setpoint.

6. Press and hold the UP and DOWN buttons for 3 + seconds to exit the Remote Mode.
7. The digital board will default to the OFF mode allowing the user to select the appropriate mode under local control.

26. RESISTANCE SENSOR VALUES

Other Sensors 10K Sensor Resistance Values		Water Sensor 100K Sensor Resistance Values	
Temperature °F (°C)	Resistance (Ω)	Temperature °F (°C)	Resistance (Ω)
32 (0)	32550	32 (0)	-----
41 (5)	25340	41 (5)	253950
50 (10)	19870	50 (10)	199040
59 (15)	15700	59 (15)	157150
68 (20)	12490	68 (20)	129440
77 (25)	10000	77 (25)	100000
86 (30)	8059	86 (30)	80570
95 (35)	6535	95 (35)	65310
104 (40)	5330	104 (40)	53260
113 (45)	4372	113 (45)	43680
122 (50)	3605	122 (50)	36020

Table J. Sensor Values

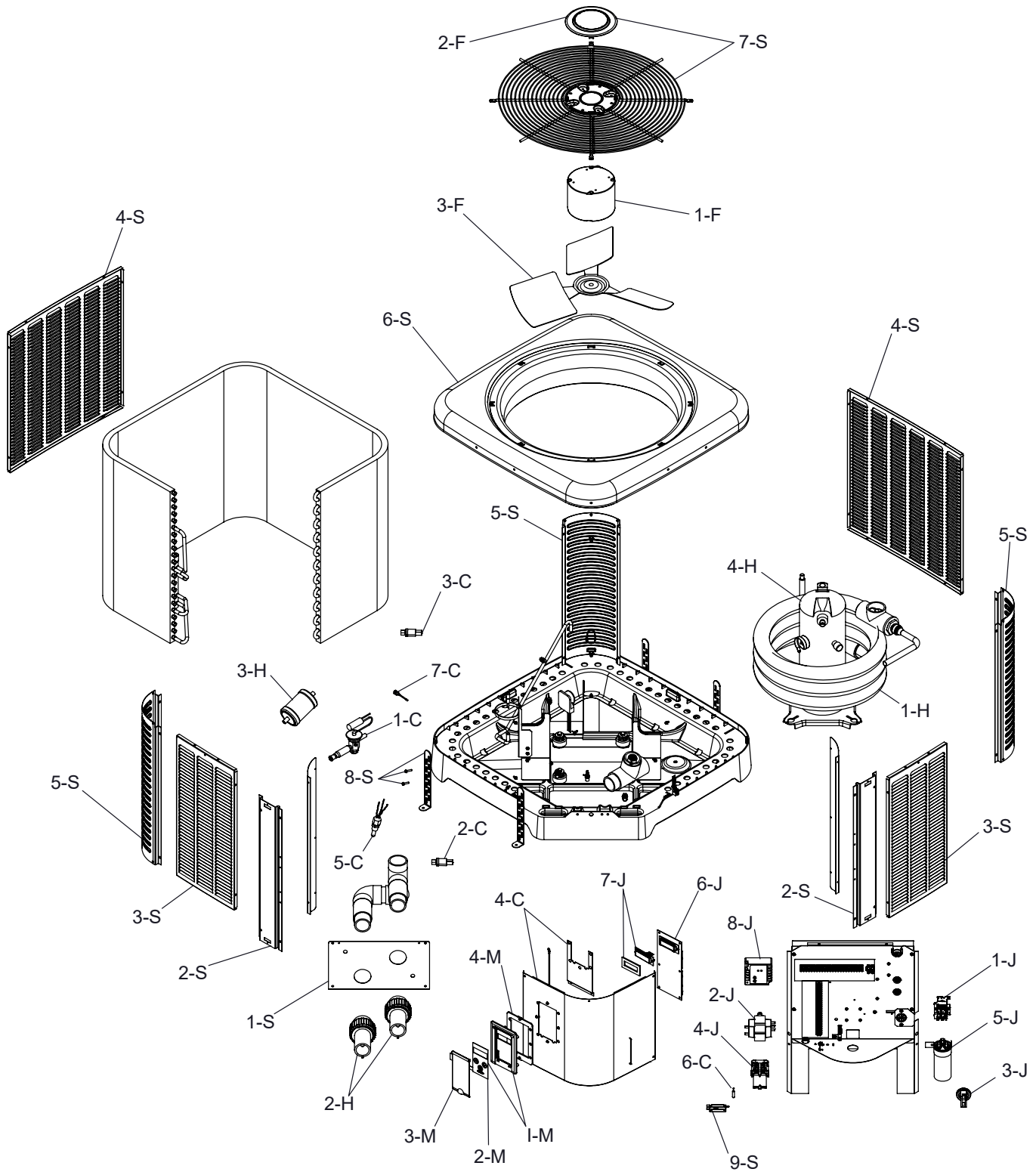
100KOhm sensors are used for water temperature measurement. These sensors are dual thermistors in a single sensor housing. The control uses both sensor readings in operating the unit. If the control measures temperatures on these thermistors which are approx. 3°F (1.6°C) apart, the control will shut off the compressor and show "H2O Sensor Fail".

The message will be cleared and operation resume when thermistors are within 2°F (1.1°C) of each other. The sensor has a measurement error of less than +/- 0.5°F (0.3°C) between 36°F and 110°F (2.2°C and 43°C) temperatures. The control displays 100K sensor temperatures to 0.1°F or 0.1°C resolution. The water temperature used for thermostat decisions is the average of the 2 thermistors.

10KOhm sensors are used for the Ambient Air Temperature sensor, the Coil Temperature sensor and Aux Heat Temperature sensor (field supplied when necessary). The sensor has a measurement error of less than +/- 0.5°F (0.3°C) between 36°F and 110°F (2.2°C and 43°C) temperatures. The control displays 10K sensor temperatures to 0.1°F or 0.1°C resolution.

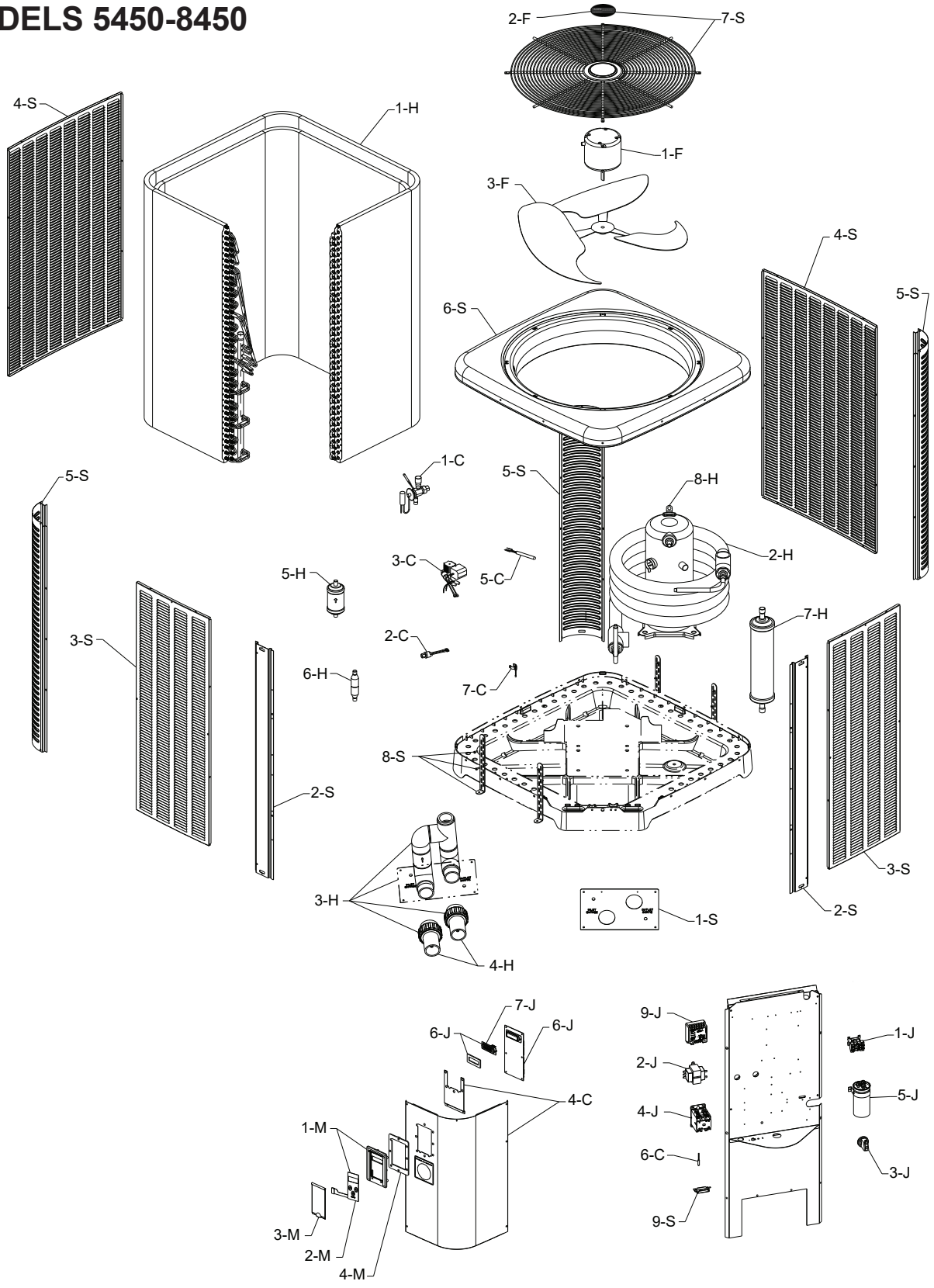
27. ILLUSTRATED PARTS LIST

MODELS 2450-4450



CALL OUT	DESCRIPTION	2450	3450	4450
C	CONTROLS			
1-C	TX Valve	H000372	H000182	H000373
2-C	Low Pressure Switch	H000078	H000078	H000078
3-C	High Pressure Switch	H000079	H000079	H000079
4-C	Control Cover	H000407	H000407	H000349
5-C	Temp Sensor 100K	H000329	H000329	H000329
6-C	Ambient Temp Sensor	H000332	H000332	H000332
7-C	Coil Sensor			
	Coil Sensor Thermister 3/8" Tube	H000333	H000333	H000333
	Coil Sensor Thermister 7/8" Tube	H000334	H000334	H000334
H	HEAT TRANSFER			
1-H	Heat Exchanger	H000187	H000278	H000278
2-H	PVC Union	H000318	H000318	H000318
3-H	Liquid Line Drier	H000188	H000188	H000188
4-H	Compressor R-410A 208/230V 1PH 60Hz	H000374	H000276	H000375
5-H	Compressor Power Plug (Not Shown)	H000271	H000271	H000271
F	FAN			
1-F	Fan Motor	H000376	H000377	H000296
2-F	Fan Grille Cap Cover	H000346	H000346	H000346
3-F	Fan Blade	H000378	H000297	H000379
J	CONTROL BOX			
1-J	Fan Relay	H000299	H000299	H000299
2-J	Transformer	H000331	H000331	H000331
3-J	Water Pressure Switch	H000025	H000025	H000025
4-J	Contractor	H000320	H000320	H000320
5-J	Capacitor	H000380	H000381	H000381
6-J	Control Board Digital	H000302	H000302	H000302
7-J	LCD Display	H000336	H000336	H000336
	Fuse (Not Shown)	H000370	H000370	H000370
8-J	Monitor			
	Line Voltage 1 PH	H000291	H000291	H000291
M	MISCELLANEOUS			
1-M	Bezel Assembly	H000325	H000325	H000325
2-M	Switch/Decal Membrane	H000326	H000326	H000326
3-M	Cover Control Bezel	H000327	H000327	H000327
4-M	Bezel Gasket	H000344	H000344	H000344
5-M	Touch-up Paint (Not Shown)	750260	750260	750260
S	SHEET METAL			
1-S	Access Panel	H000382	H000382	H000382
2-S	Center Post	H000383	H000384	H000385
3-S	Front & Right Side Jacket Panel	H000386	H000387	H000388
4-S	Rear & Left Side Jacket Panel	H000389	H000390	H000391
5-S	Jacket Corner Warm Dark Grey	H000392	H000393	H000394
6-S	Jacket Top Warm Dark Grey	H000395	H000396	H000396
7-S	Grille Fan Guard (Includes 2-F)	H000397	H000398	H000398
8-S	Hurricane Bracket HT Pump SS	H000399	H000399	H000399
9-S	Sensor Cover	H000362	H000362	H000362

MODELS 5450-8450



CALLOUT	DESCRIPTION	RAYPAK / RHEEM / RUUD		
		5450	6450	8450
C	CONTROLS			
1-C	TX Valve Heat	H000173	H000173	H000077
2-C	Low Pressure Switch	H000078	H000078	H000078
3-C	High Pressure Switch	H000079	H000079	H000079
4-C	Control Cover	H000349	H000349	H000349
5-C	Temperature Sensor 100K	H000329	H000329	H000329
6-C	Ambient Temperature Sensor	H000332	H000332	H000332
7-C	Coil Sensor 3/8 Diameter Tube	H000333	H000333	H000333
	7/8 Diameter Tube	H000334	H000334	H000334
H	HEAT TRANSFER			
1-H	Evaporator Coil	N/A	N/A	N/A
2-H	Heat Exchanger	H000368	H000368	H000369
3-H	Bypass Assembly (Includes 1-S)	H000365	H000365	H000365
4-H	PVC Union with Built-In Drain	H000317	H000317	H000317
5-H	Liquid Line Drier Heat	H000011	H000011	H000011
6-H	Check Valve	H000006	H000006	H000006
7-H	Charge Compensator	N/A	N/A	H000255
8-H	Compressor 1 PH	H000348	H000012	H000014
9-H	Compressor Power Plug (Not Shown)	H000271	H000271	H000271
F	FAN			
1-F	Fan Motor (825 RPM)	H000296	H000296	H000296
2-F	Fan Grille Cap Cover	H000346	H000346	H000346
3-F	Fan Blade (3-Blade)	H000371	H000371	H000371
J	CONTROL BOX			
1-J	Fan Relay DPST	H000299	H000299	H000299
2-J	Transformer	H000331	H000331	H000331
3-J	Water Pressure Switch	H000025	H000025	H000025
4-J	Contactator 1 PH	H000043	H000043	H000043
5-J	Capacitor 1 PH	H000127	H000127	H000051
6-J	Control Board	H000302	H000302	H000302
7-J	LCD Display	H000336	H000336	H000336
8-J	Fuse (Not Shown)	H000370	H000370	H000370
9-J	Monitor Line Voltage 1 PH	H000291	H000291	H000291
M	MISCELLANEOUS			
1-M	Control Bezel Digital (Includes Switch Decal)	H000325	H000325	H000325
2-M	Switch/Decal Membrane	H000326	H000326	H000326
3-M	Control Bezel Cover	H000327	H000327	H000327
4-M	Bezel Seal Gasket	H000344	H000344	H000344
5-M	Touch-up Paint	750260	750260	750260
S	SHEETMETAL			
1-S	Access Panel	H000352	H000352	H000352
2-S	Center Post	H000345	H000366	H000366
3-S	Front and Right Side Jacket Panel	H000358	H000359	H000359
4-S	Rear and Left Side Jacket Panel	H000360	H000361	H000361
5-S	Corner Jacket Panel	H000353	H000354	H000354
6-S	Jacket Top	H000355	H000355	H000355
7-S	Grille Fan Guard (Includes 2-F)	H000356	H000356	H000356
8-S	Hurricane Bracket	H000357	H000357	H000357
9-S	Ambient Temperature Sensor Cover	H000362	H000362	H000362

* NOTE: R-410 A components not compatible with R22 units.

NOTES

MANUEL D'INSTALLATION ET D'UTILISATION

Thermopompe pour piscine et spa

Modèles 2450, 3450, 4450,
5450, 6450, 6450PD, 6450HC,
8450 et 8450HC



Intertek

POUR VOTRE SÉCURITÉ: Ne pas entreposer ni utiliser de l'essence ou d'autres liquides ou vapeurs inflammables à proximité de cet appareil ou de tout autre appareil. Le non-respect de cette directive peut causer un incendie ou une explosion.

NOTE: Les présentes instructions sont destinées à des personnes qualifiées, spécialement formées et expérimentées dans l'installation et l'entretien de ce type d'équipement et de ses composantes connexes. Dans certaines régions, les techniciens d'entretien pour ce type d'équipement doivent détenir une licence. Les personnes non qualifiées ne doivent pas tenter d'installer, de réparer ou d'entretenir cet équipement.

Ce manuel doit être maintenu en état lisible et rangé à proximité du chauffe-piscine à thermopompe ou dans un lieu sûr pour une utilisation ultérieure.

Raypak®
A Rheem® Company

P/N 241909 Rev. 2

La révision 2 comprend les changements suivants:

N° du couvercle de commande IPL (4-C) passe de "H000349" à "H000407" pour modèles 2450 & 3450 seulement.

TABLEAU DES MATIÈRES

1. AVERTISSEMENTS	4	Mise à l'arrêt, surchauffe	33
Portez une attention particulière à ces termes	4	Mise à l'arrêt, surpression	33
2. INTRODUCTION	5	Mise à l'arrêt, sous-pression	33
3. PARAMÈTRES D'EAU	6	Détecteur de pression d'eau	33
4. CONSIDÉRATIONS D'INSTALLATION	6	Séquence des opérations	33
5. RACCORDEMENTS ÉLECTRIQUES	11	14. INSTRUCTIONS, COMMANDE NUMÉRIQUE...	34
6. RACCORDS D'EAU	11	Pour hausser ou réduire la température de consigne (mode piscine ou spa)	34
7. PERTE DE CHARGE	12	Sélection des unités °C ou °F	34
8. AFFICHEUR DE LA THERMOPOMPE	12	15. MODE CHAUFFAGE/REFROIDISSEMENT	34
9. MODES UTILISATEUR	13	16. MISE EN SERVICE INITIALE	34
10. MENUS DE COMMANDE	14	17. MISE EN MARCHÉ SAISONNIÈRE / VÉRIFICATION ANNUELLE	34
Menu utilisateur – Chauffage seulement, dégivrage et chauffage/refroidissement	15	18. MISE HORS SERVICE ESTIVALE	35
Menu installateur/entretien – Chauffage	17	19. PROTECTION CONTRE LE GEL	35
Menu installateur/entretien – Dégivrage	21	Vidange du système	35
Menu installateur/entretien – Chauffage/Dégivrage	25	Fonctionnement en continu	35
11. PARAMÈTRES DU MODULE 29		20. MAINTENANCE	35
Réglage de l'heure courante	29	Nettoyage des serpentins	35
Sélection °C / °F	29	Entretien du boîtier (optionnel)	35
Temp. max. du spa	29	Déboucher les orifices de vidange de la condensation	36
Temp. max. de la piscine	29	21. DÉPANNAGE	36
Horaire de fonctionnement	29	Messages d'état de fonctionnement	37
12. RÉGULATION DE LA TEMP.	29	Message d'erreur	38
13. FONCTIONS ADDITIONNELLES	29	22. VÉRIFICATIONS D'ENTRETIEN	39
Régulation de la pompe	29	Alimentation électrique	39
Mise à l'arrêt, basse temp.	29	Alimentation en eau	39
Protection par code d'accès	30	Réglage de l'horloge	39
Sorties auxiliaires	30	Réinitialiser les valeurs par défaut	39
Commande à distance	31	Accès à l'intérieur du boîtier	39
Mode chauffe-piscine	31	23. SCHÉMAS DE PLOMBERIE	41
Mode refroidissement piscine (modèles HEAT/COOL)	31	24. SCHÉMA DE CÂBLAGE – 208V/230V MONOPHASÉ – MODÈLES NUMÉRIQUES	45
Mode automatique piscine (modèles HEAT/COOL)	31	25. INSTALLATION D'UN MODULE DE COMMANDE À DISTANCE	46
Mode minuterie spa	31	Contrôleurs à 2 fils (chauffage seulement)	46
Historique d'erreurs	31	Contrôleurs à 3 fils	46
Heures et cycles de fonctionnement	31	Contrôleurs à 2 fils, mode refroidissement – Modèles HEAT/COOL	46
Délai de démarrage du compresseur	31	26. RÉSISTANCE DES CAPTEURS	47
Durée minimale de fonctionnement	32	27. ILLUSTRATION DES PIÈCES	48
Dégivrage	32		
Commande de vanne à 3 voies	32		
Batterie de secours	33		

1. AVERTISSEMENTS

Portez une attention particulière aux termes suivants

⚠ DANGER	Signale la présence de dangers immédiats qui causeront d'importants dommages matériels, de graves blessures ou la mort s'ils sont ignorés.
⚠ AVERTISSEMENT	Décrit des risques ou des pratiques non sécuritaires qui causeront d'importants dommages matériels, de graves blessures ou la mort s'ils sont ignorés.
⚠ ATTENTION	Décrit des risques ou des pratiques non sécuritaires qui causeront des dommages matériels, des blessures mineures ou endommageront le produit s'ils sont ignorés.
ATTENTION	ATTENTION utilisé sans le symbole d'alerte décrit une condition potentiellement dangereuse qui pourrait causer des dommages matériels, des blessures mineures ou endommager le produit si elle est ignorée.
NOTE	Décrit d'importantes instructions spéciales relatives à l'installation, l'utilisation ou l'entretien, mais qui ne risquent pas de causer de blessures.

Le présent manuel, ainsi que les étiquettes apposées sur la thermopompe, contient des symboles et messages de sécurité homologués ANSI. Veuillez prendre note de ces symboles et étiquettes: ils contiennent des renseignements de sécurité importants sur les dangers pouvant se présenter à proximité de la thermopompe ou issus de celle-ci.

⚠ ATTENTION: de l'eau chauffée constitue une source de danger. La Commission américaine sur la sécurité des produits de consommation (CPSC) émet les directives suivantes:

1. La température de l'eau d'un spa ne doit jamais dépasser 40°C (104°F). Une température de 38°C (100°F) est considérée sécuritaire pour un adulte en bonne santé. Portez une attention particulière aux jeunes enfants.
2. La consommation de boissons alcoolisées avant ou pendant l'utilisation d'un spa peut entraîner de la somnolence qui pourrait causer une perte de conscience et par la suite une noyade.
3. Avis aux femmes enceintes! L'immersion dans de l'eau chauffée à plus de 39°C (102°F) peut causer des lésions foetales pendant les trois premiers mois de la grossesse, comme des dommages cérébraux ou des difformités physiques. Les femmes enceintes ne devraient pas s'immerger dans de l'eau chauffée à plus de 38°C (100°F).
4. Avant d'entrer dans un spa, chaque utilisateur doit vérifier la température de l'eau à l'aide d'un thermomètre précis; la température indiquée par le thermostat intégré d'un spa peut varier de jusqu'à 2,2°C (4°F) de la valeur réelle.
5. Les personnes ayant les antécédents médicaux suivants: maladies cardiaques, problèmes circulatoires, diabète ou haute tension artérielle doivent obtenir l'avis d'un médecin avant d'utiliser une piscine ou un spa.
6. Les personnes qui consomment des médicaments qui induisent la somnolence, comme des tranquillisants, antihistaminiques ou anticoagulants, ne devraient pas se baigner dans un spa.

ATTENTION: un déséquilibre de la composition chimique de l'eau risque d'endommager la thermopompe. **N'AJOUTEZ PAS** de produits chimiques pour piscine ou spa dans l'écumoire ou tout autre dispositif (ex.: chlorinateur) se trouvant directement en amont de la thermopompe. Cela endommagera la thermopompe et pourrait annuler sa garantie. Suivez **TOUJOURS** les instructions du fabricant relativement à l'ajout de produits chimiques à votre piscine.

⚠ AVERTISSEMENT: Ces thermopompes chauffe-piscine ou spa sont chargés de réfrigérant R-410A. Assurez-vous que tous les travaux d'entretien sont effectués avec des jauges et de l'équipement appropriés pour le R-410A.

AVIS D'ESSAI D'EFFICACITÉ: à des fins de vérification ou d'essai des cotes d'efficacité, la procédure d'essai décrite au document Title 10, ANNEXE B de la sous-partie B de la partie 430 (Uniform Test Method for Measuring the Energy Consumption of Pool Heaters) et annexes du AHRI Operation Manual 1160 en vigueur à la date de fabrication doit être utilisée pour la préparation et la réalisation de l'essai. Les courbes de chargement sont fournies au www.raypak.com/customer-support/heat-pump-charging-charts. Ces renseignements devraient être uniquement utilisés par des techniciens de CVCA certifiés, en vue de vérifier ou d'ajuster la charge du frigorigène afin d'assurer un bon fonctionnement de l'appareil.

2. INTRODUCTION

AVERTISSEMENT: cette thermopompe est une machine électromécanique qui incorpore un gaz frigorigène pressurisé dans une boucle fermée. SEUL du personnel formé et qualifié est autorisé à installer ou à entretenir cet équipement. Toute tentative d'installation ou d'entretien de l'appareil par du personnel non formé ou qualifié pourrait entraîner de graves blessures ou la mort.

Ce manuel contient d'importants renseignements relatifs à l'utilisation, l'entretien et le dépannage de votre nouveau chauffe-piscine ou spa. Cet appareil doit être correctement installé, entretenu et utilisé pour qu'il fournisse un rendement optimal.

Cette thermopompe est un équipement extrêmement efficace et économique conçu pour chauffer l'eau d'une piscine. Sa conception et son fonctionnement sont semblables à ceux d'un système de climatisation résidentiel courant. Ainsi, il comporte moteur-compresseur hermétique alimentant un cycle de réfrigération qui extrait la chaleur de l'air ambiant et la transfère à l'eau de la piscine ou du spa.

La puissance d'une thermopompe chauffe-piscine, exprimée en BTU/h, est naturellement inférieure à celle d'un chauffe-piscine au gaz ou au mazout. Ainsi, elle devra fonctionner pendant un plus grand nombre d'heures par jour pour atteindre la température de consigne. En certaines circonstances, elle pourrait même fonctionner jusqu'à 24 heures par jour et elle parfaitement conçue pour soutenir ce rythme. Même lorsqu'elle fonctionne pendant de longues heures, elle chauffe la piscine à moindre coût que les appareils de chauffage à combustible fossile.

L'évaporation est la principale cause de perte de chaleur d'une piscine; c'est pourquoi il est suggéré de garder la piscine couverte entre deux utilisations, ce qui réduira considérablement les coûts de chauffage. Même par temps chaud en été, Raypak recommande couvrir la piscine la nuit.

NOTE: les sangles anti-ouragan et leurs vis, les 2 raccords-unions, les 2 coudes à 45° en PVC, le libellé de garantie imprimé, ainsi que le manuel d'installation et d'utilisation se trouvent dans la boîte d'accessoires montée sur la palette, à l'intérieur de l'emballage. NE jetez PAS la palette ou l'emballage sans en retirer tous les accessoires.

C'est le meilleur moment pour enregistrer votre appareil, c'est rapide!

Pendant que votre appareil est en train d'être installé par un installateur professionnel et licencié, ou immédiatement après, profitez de cette occasion pour l'enregistrer auprès du fabricant, c'est rapide! Il suffit de collecter deux renseignements sur votre thermopompe chauffe-piscine et spa puis de nous les transmettre. Ainsi, vous assurerez la traçabilité de votre garantie et un service rapide en cas de problème, jusqu'à la fin de la période de couverture.

Reportez-vous à la **Figure 1** au bas de cette page, qui illustre la plaque signalétique sur laquelle vous retrouverez le numéro de modèle et le numéro de série de votre appareil. Une fois ces renseignements bien notés, assurez-vous

d'avoir vos renseignements personnels à portée de main:

- Nom, n° de téléphone et courriel du propriétaire
- adresse physique d'installation de l'appareil ; veuillez inclure le nom du quartier ou de la subdivision, si applicable.
- toute instruction d'accès supplémentaire: quartier sécurisé, accès au bâtiment verrouillé, chien de garde, etc.
- date d'installation du nouvel appareil
- nom et numéro de téléphone du technicien qualifié et de l'entité licenciée qui a procédé à l'installation

Une fois tous ces renseignements rassemblés, il suffit de nous appeler ou de vous rendre sur notre site et d'enregistrer votre thermopompe:

<http://warranty.raypak.com>

Nous vous fournirons un numéro de confirmation d'enregistrement de garantie que vous devrez noter et conserver dans vos dossiers avec votre manuel d'installation et d'utilisation, le libellé de la garantie (fourni avec votre manuel) et les renseignements ci-dessus.

La plaque signalétique de cet appareil comporte aussi un code QR (voir **Figure 1**), qui mène sur notre site www.raypak.com, où vous retrouverez le manuel d'installation et d'utilisation et d'autres documents pertinents.

Profitez de l'occasion pour passer en revue le manuel et le libellé de garantie, afin de vous familiariser avec le bon fonctionnement de votre nouvel équipement ainsi que sur les exclusions de garantie. À tout moment au cours de la durée de vie de votre appareil, n'hésitez pas à nous joindre au numéro de téléphone indiqué aux présentes ou à celui qui se trouve directement sur l'appareil, pour nous poser toute question relative à son fonctionnement, son entretien ou à la garantie.

Merci de nous avoir choisis pour satisfaire vos besoins de chauffage de piscine!



**Figure 1. Numéro de modèle et numéro de série
N° d'enregistrement de la garantie:**

3. PARAMÈTRES D'EAU (le contact avec de l'eau corrosive annule toute garantie)

Pour votre santé et la protection de l'équipement de votre piscine, il est essentiel que votre eau soit chimiquement équilibrée. Voici les valeurs correspondant à une eau équilibrée.

- L'administration d'un traitement-choc occasionnel à l'eau de la piscine ou du spa ne devrait pas endommager la thermopompe lorsque la composition chimique de l'eau est équilibrée. Cependant, il est fortement recommandé d'isoler le circuit de la thermopompe (avec des vannes d'isolation), lors de l'application d'un traitement chimique agressif.
- Les dispositifs doseurs automatiques et les chlorateurs au sel sont habituellement plus efficaces avec de l'eau chauffée. Par conséquent, assurez-vous de bien réguler la chloration, car une surchloration pourrait endommager la thermopompe.
- Veuillez obtenir des conseils supplémentaires auprès du fabricant de votre piscine ou spa, d'un détaillant autorisé de piscines ou du fabricant des produits chimiques pour connaître les valeurs d'équilibre de votre eau.

4. CONSIDÉRATIONS D'INSTALLATION

⚠ AVERTISSEMENT: n'installez pas la thermopompe à moins de 3 pi (0,9 m) de tout appareil de chauffage à combustible fossile. L'entrée de gaz de combustion par les prises d'air latérales de la thermopompe pourrait perturber son bon fonctionnement, l'endommager ou causer des blessures.

- Montez l'appareil sur une base solide et de niveau, de préférence une dalle de béton. La base doit avoir une taille d'au moins 3 pi par 3 pi (0,9 m x 0,9 m) ou légèrement supérieure si vous comptez l'ancrer avec des sangles anti-ouragan. Voir Figure 4 à Figure 6 pour plus de détails.

ATTENTION: la base de l'appareil doit être construite à une hauteur suffisante permettant l'écoulement gravitaire de toute eau stagnante.

Il faut porter une attention particulière au positionnement de la thermopompe, afin de minimiser les coûts d'installation, ainsi que pour maximiser son efficacité de fonctionnement et l'accès lors des entretiens.

- Afin d'éviter toute restriction d'apport d'air et d'offrir un accès d'entretien suffisant, l'appareil doit être placé à au moins 305 mm (1 pi) de tout mur, conduit et autres obstructions.

⚠ AVERTISSEMENT: cet appareil est uniquement conçu pour une installation extérieure. Il n'est pas certifié pour l'installation intérieure. NE PAS l'installer dans une pièce fermée, comme dans une remise, un garage, sous un porche ou sous une galerie.

- Afin de maximiser le silence de fonctionnement, cet appareil produit une décharge d'air ascendante: L'air est tiré vers le haut à travers l'évaporateur puis est évacué par la grille supérieure. À cette fin, prévoyez un dégagement d'au moins 5 pi (1,5 m) au-dessus de l'appareil, afin de ne pas restreindre l'évacuation d'air. N'installez JAMAIS la thermopompe sous un porche ou une terrasse. Voir Figure 2. Une éventuelle recirculation de l'air frais évacué par la thermopompe réduira grandement son efficacité de chauffage. Afin de minimiser la longueur des conduites d'eau, positionnez l'appareil aussi près que possible de la pompe et du filtre de la piscine.
- De même, assurez-vous que la thermopompe ne risque pas d'être arrosée par un système d'irrigation, cela risque de l'endommager.
- Ruissellement d'eau de pluie: cet appareil est conçu pour une installation extérieure et résiste à une exposition à la pluie. Cependant, l'exposition à un ruissellement d'eau de pluie provenant d'un toit et qui tombe directement sur l'appareil peut causer

Valeur recommandée	Piscine fibre verre	Spas en fibre de verre	Autres types de piscines et spa
Temp. eau (°F / °C)	68°F à 88°F (20°C à 31°C)	89°F à 104°F (32°C à 40°C)	68°F à 104 °F (20°C à 40°C)
pH	7,3 à 7,4	7,3 à 7,4	7,6 à 7,8
Alcalinité totale (ppm)	120 à 150	120 à 150	80 à 120
Dureté calcaire (ppm)	200 à 300	150 à 200	200 à 300
Sel (ppm)	4500 max.	4500 max.	4500 max.
Chlore libre (ppm)*	2 à 3	2 à 3	2 à 3
Matières tot. dissoutes (ppm)	3000 max.**	3000 max.**	3000 max.**

*La concentration de chlore libre NE DOIT PAS EXCÉDER 5 ppm!

**Dans les piscines chlorées au sel, la TDS peut atteindre 6000 ppm.

Tableau A. Paramètres d'eau

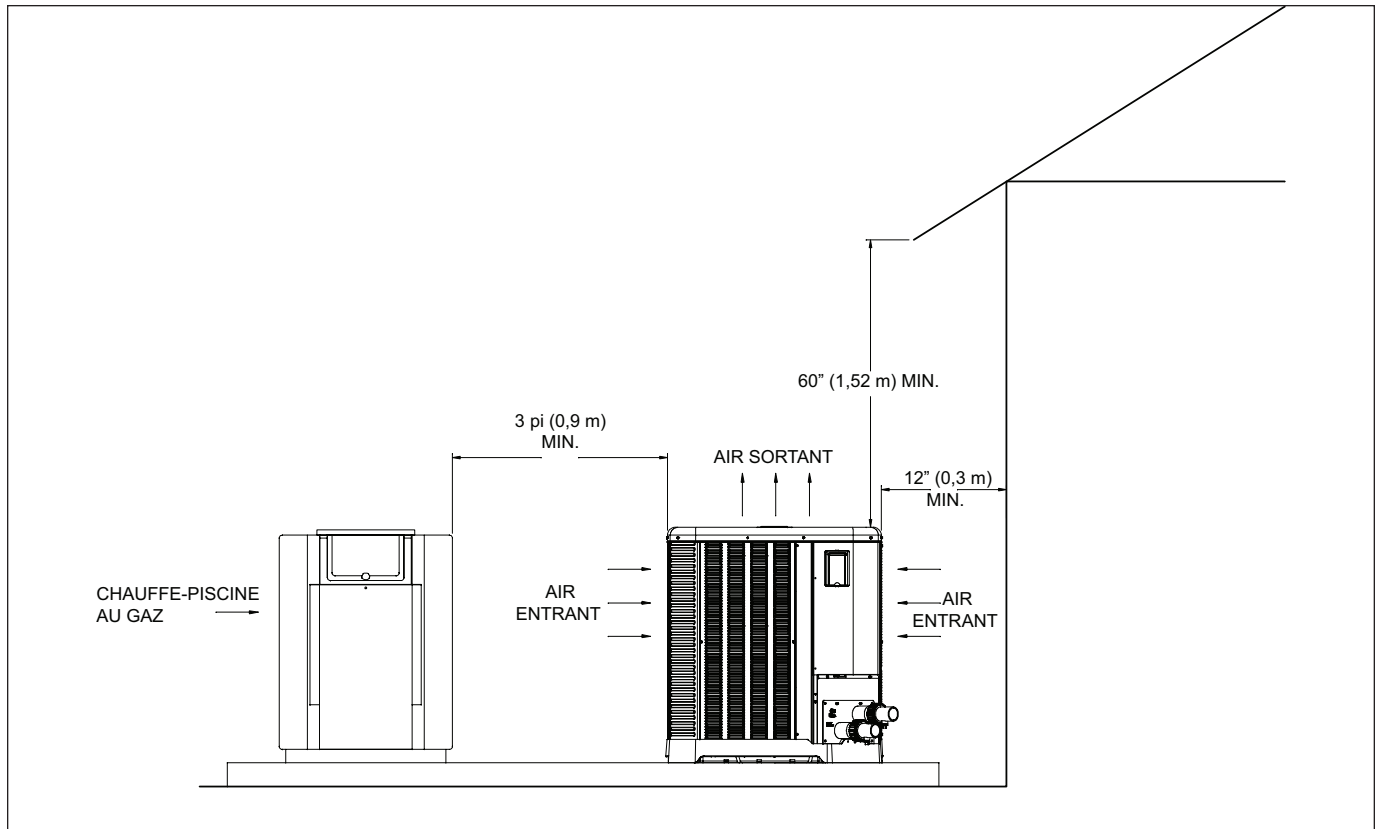


Figure 2. Dégagements d'installation

des dommages ou raccourcir sa durée de vie. Ces dommages ne sont pas couverts par la garantie. Installez des gouttières ou un pare-pluie au-dessus de l'appareil si celui-ci est installé dans un lieu où il pourrait être affecté par un ruissellement d'eau de pluie.

- Assurez-vous aussi d'installer la thermopompe à l'écart de buissons, arbustes ou objets encombrants (ex.: contenants de produits chimiques). Cela pourrait empêcher la libre circulation de l'air à travers la thermopompe, perturber son bon fonctionnement ou même l'endommager.
- Lors d'une installation dans un lieu pouvant être exposé au gel, assurez-vous de vidanger la boucle

d'eau afin d'éviter tout dommage par le gel. Reportez-vous à la section Protection contre le gel à la page 35 pour passer en revue la procédure de vidange.

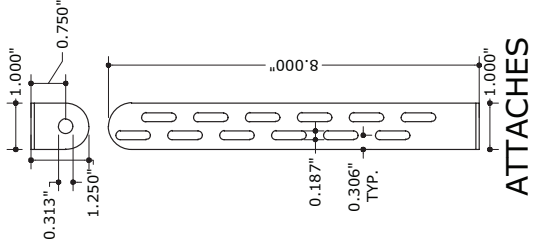
- Si la thermopompe est installée en dessous de la ligne d'eau de la piscine, le détecteur de pression d'eau et le débitmètre doivent être recalibrés ou il pourrait être requis d'installer un débitmètre externe.
- Dans le cas d'une installation dans un lieu venteux, reportez-vous aux **Figure 4** à **Figure 6**, selon le modèle.

NOTE: la base possède des passages permettant l'insertion d'un chariot à main ou de ses mains (sans se pincer les doigts), comme illustré à Figure 3.



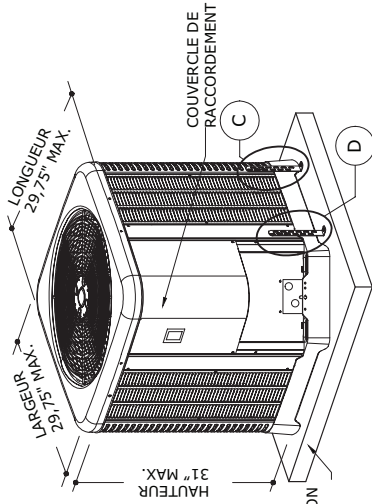
Figure 3. Configuration de la base, manutention

Dimensions min. de la dalle de béton: 43-1/4" x 43-1/4" x 4" épaisseur. Les vis de fixation des supports à l'unité sont fournis - NE PAS utiliser de vis non spécifiées ou non fournies par le fabricant. Il s'agit de vis auto-taraudeuses en acier inoxydable #10 x 3/4". Chaque support nécessite 4 vis.



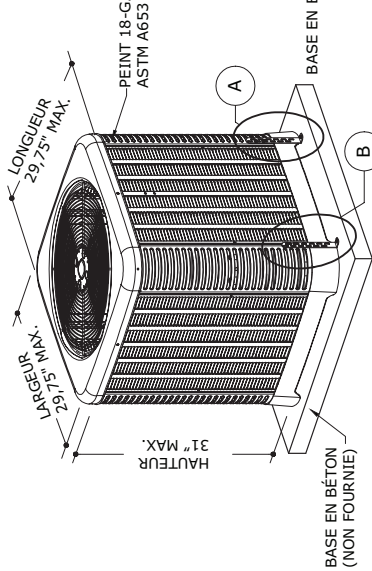
ATTACHES

MIAMI TECH CLIP: 14GA (0,07")
ASTM A653; ACIER: FU=90 KSI
(CUTD8) OU 0,080" 5052-H32
ALUMINIUM (CUTDA8),
F1,19731.1 OU APPROBATION
ÉQUIVALENTE, VOIR NOTE
GÉNÉRALE 6



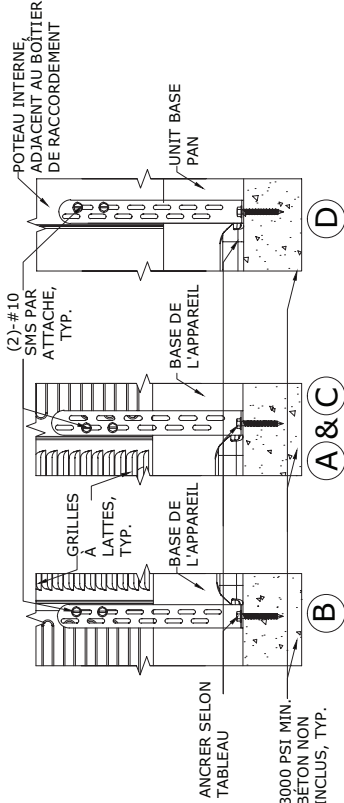
2 UNITÉ MÉCANIQUE
1 PAS À L'ÉCHELLE ARRIÈRE ISO

NOTE: CONSULTEZ LE MANUEL D'INSTALLATION ET D'UTILISATION POUR TAILLE MIN. DE LA DALLE ET LONGUEUR DES VIS



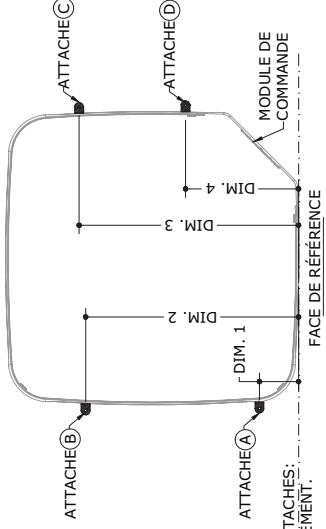
1 UNITÉ MÉCANIQUE
1 PAS À L'ÉCHELLE ARRIÈRE ISO

CES VUES ISOMÉTRIQUES SONT UNIQUEMENT À TITRE ILLUSTRATIF.



(A) ET (C) SONT SIMILAIRES ET SUR FACES OPPOSÉES

3 ATTACHES
1 PAS À L'ÉCHELLE ÉLÉVATION



DÉCALAGE DES ATTACHES: DE CÉ CÔTÉ SEULEMENT.

4 DISPOSITION DES ATTACHES
1 PLAN PAS À L'ÉCHELLE

TABLEAU D'ANCRAGE

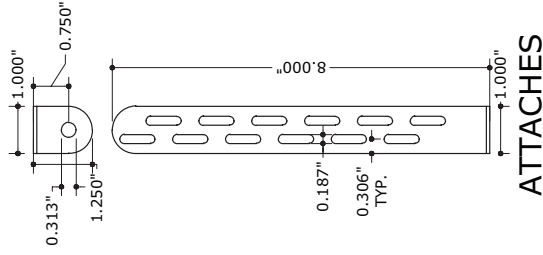
SUBSTRAT	DESCRIPTION
BÉTON: (4") ÉPAISSEUR MIN., 3000 PSI (MIN.)	(1)-1/4"Ø PIVERS WEDGE BOLT, EN ACIER CARBONE 3" INTÉGRÉ AU BÉTON, 3" MIN. DE LA BORDURE ET DE TOUT AUTRE ANCRAGE

DÉCALAGE ATTACHE

DIM. 1	4,50" DÉCALAGE MAX. FACE DE RÉF.
DIM. 2	24,50" DÉCALAGE MAX. FACE DE RÉF.
DIM. 3	25,25" DÉCALAGE MAX. FACE DE RÉF.
DIM. 4	13,00" DÉCALAGE MAX. FACE DE RÉF.

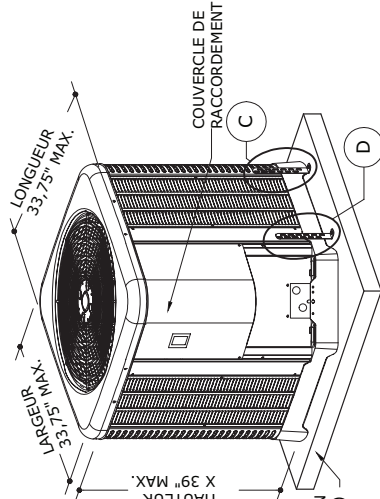
Figure 4. Arrimage des sangles anti-ouragans - 2450

Dimensions min. de la dalle de béton: 43-1/4" x 43-1/4" x 4" épaisseur. Les vis de fixation des supports à l'unité sont fournies - NE PAS utiliser de vis non spécifiées ou non fournies par le fabricant. Il s'agit de vis auto-taraudeuses en acier inoxydable #10 x 3/4". Chaque support nécessite 4 vis.



ATTACHES

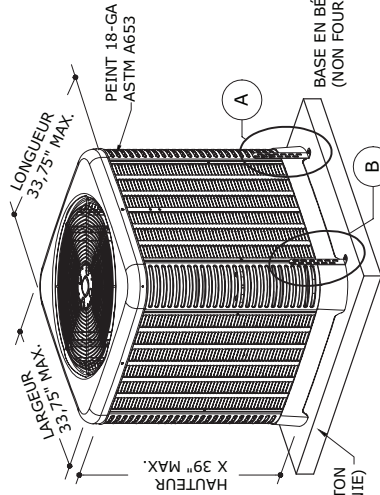
MIAMI TECH CLIP: 14GA (0,07")
 ASTM A653; ACIER: F_U=90 KSI
 (CUTD8) OU 0,080" 5052-H32
 ALUMINUM (CUTDA8),
 APPROBATION FLORIDE
 FL#19731.1 OU APPROBATION
 ÉQUIVALENTE, VOIR NOTE
 GÉNÉRALE 6



2 UNITÉ MÉCANIQUE

1 PAS À L'ÉCHELLE AVANT ISO

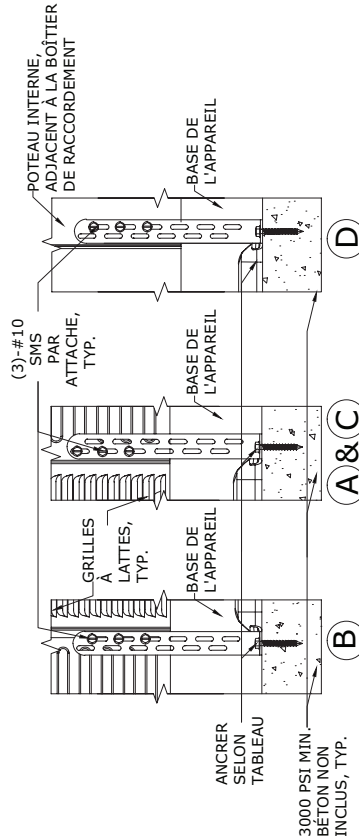
NOTE: CONSULTEZ LE MANUEL D'INSTALLATION ET D'UTILISATION POUR TAILLE MIN. DE LA DALLE ET LONGUEUR DES VIS



1 UNITÉ MÉCANIQUE

1 PAS À L'ÉCHELLE ARRIÈRE ISO

CES VUES ISOMÉTRIQUES SONT UNIQUEMENT À TITRE ILLUSTRATIF

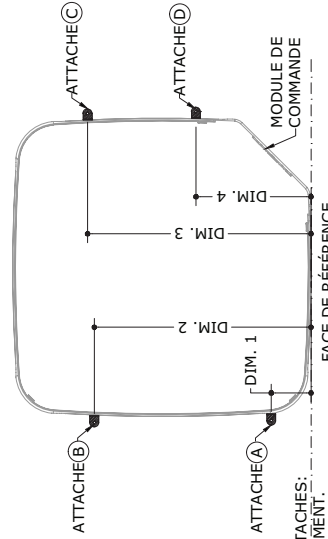


(A) ET (C) SONT SIMILAIRES ET SUR FACES OPPOSÉES

3 ATTACHES

1 PAS À L'ÉCHELLE ÉLÉVATION

DÉCALAGE DES ATTACHES: DE CE CÔTÉ SEULEMENT.



4 DISPOSITION DES ATTACHES

1 PLAN PAS À L'ÉCHELLE

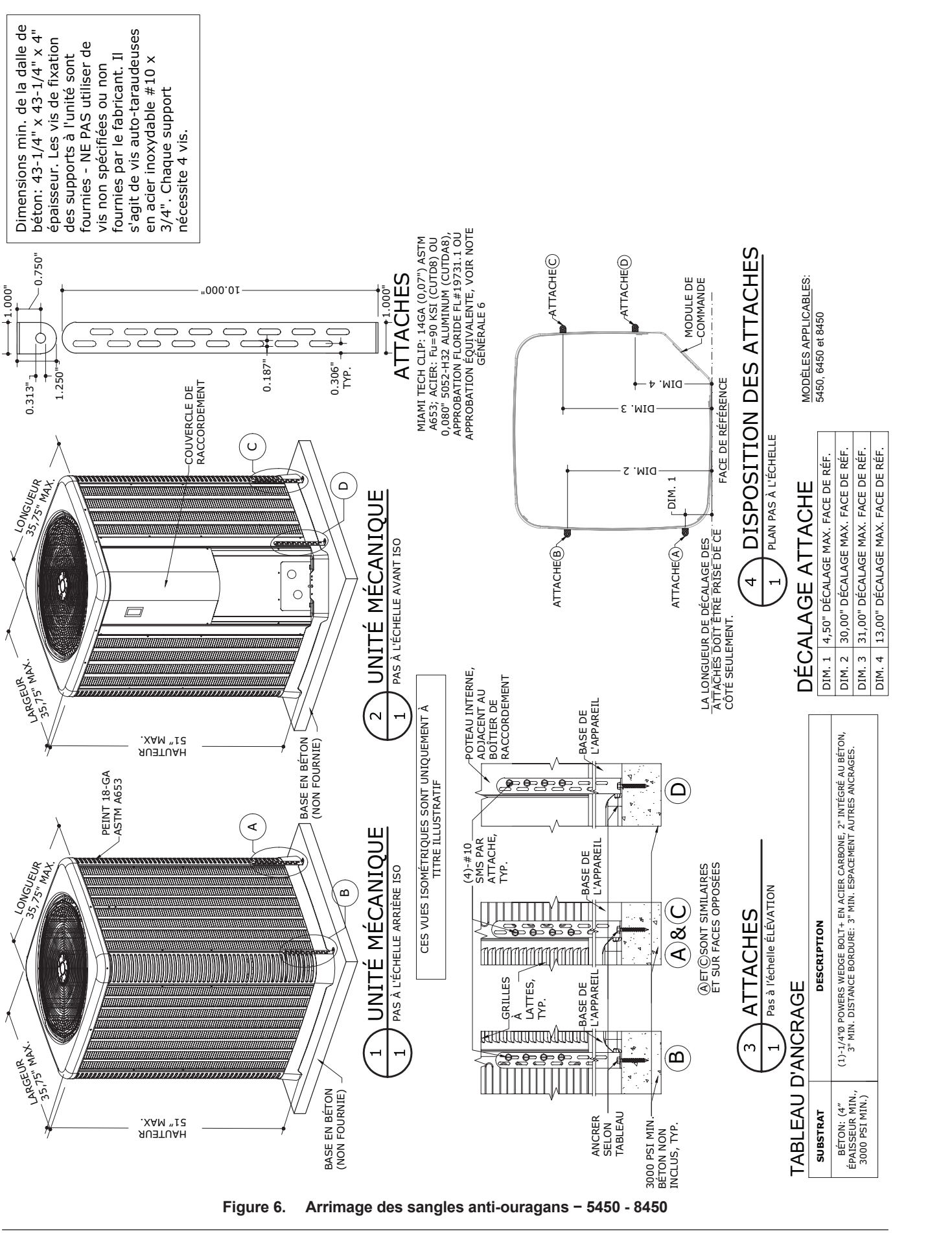
TABLEAU D'ANCRAGE

SUBSTRAT	DESCRIPTION
BÉTON (4" ÉPAISSEUR MIN., 3000 PSI MIN.)	(1)-3/4"Ø POWERS WEDGE BOLT+ EN ACIER CARBONE, 2" INTÉGRÉ AU BÉTON, 3" MIN. DISTANCE BORDURE; 3" MIN. ESPACEMENT AUTRES ANCRAGES.

DÉCALAGE ATTACHE

DIM. 1	4,50" DÉCALAGE MAX. FACE DE RÉF.
DIM. 2	28,00" DÉCALAGE MAX. FACE DE RÉF.
DIM. 3	29,00" DÉCALAGE MAX. FACE DE RÉF.
DIM. 4	13,00" DÉCALAGE MAX. FACE DE RÉF.

Figure 5. Arrimage des sangles anti-ouragans - 3450 - 4450



Dimensions min. de la dalle de béton: 43-1/4" x 43-1/4" x 4" épaisseur. Les vis de fixation des supports à l'unité sont fournies - NE PAS utiliser de vis non spécifiées ou non fournies par le fabricant. Il s'agit de vis auto-taradeuses en acier inoxydable #10 x 3/4". Chaque support nécessite 4 vis.

ATTACHES
 MIAMI TECH CLIP: 14GA (0,07") ASTM A653: ACIER: Fu=90 KSI (CUTD8) OU 0,080" 5052-H32 ALUMINUM (CUTD8), APPROBATION FLORIDE FL#19731.1 OU APPROBATION EQUIVALENTE, VOIR NOTE GENERALE 6

LA LONGUEUR DE DÉCALAGE DES ATTACHES DOIT ÊTRE PRISE DE CÔTÉ SEULEMENT.

4 DISPOSITION DES ATTACHES
 PLAN PAS À L'ÉCHELLE

MODÈLES APPLICABLES:
 5450, 6450 et 8450

2 UNITÉ MÉCANIQUE
 PAS À L'ÉCHELLE AVANT ISO

1 UNITÉ MÉCANIQUE
 PAS À L'ÉCHELLE ARRIÈRE ISO

CES VUES ISOMÉTRIQUES SONT UNIQUEMENT À TITRE ILLUSTRATIF

3 ATTACHES
 Pas à l'échelle ÉLEVATION

DÉCALAGE ATTACHE

DIM.	DÉCALAGE MAX. FACE DE RÉF.
DIM. 1	4,50"
DIM. 2	30,00"
DIM. 3	31,00"
DIM. 4	13,00"

TABLEAU D'ANCRAGE

SUBSTRAT	DESCRIPTION
BÉTON: (4" ÉPAISSEUR MIN., 3000 PSI MIN.)	(1)-1/4" POWERS WEDGE BOLT+ EN ACIER CARBONNE 2" INTÉGRÉ AU BÉTON, 3" MIN. DISTANCE BORDURE: 3" MIN. ESPACEMENT AUTRES ANCRAGES.

Figure 6. Arrimage des sangles anti-ouragans - 5450 - 8450

5. RACCORDEMENTS ÉLECTRIQUES

Consultez la plaque signalétique située sous le panneau de commande pour connaître les valeurs nominales de l'alimentation et des protections.

Le câblage alimentant l'appareil doit être conforme aux exigences de la plus récente édition du National Electrical Code, NFPA No. 70, ainsi qu'à tous les codes nationaux et locaux applicables. Voir schémas de câblage, p. 45.

⚠ AVERTISSEMENT: les conducteurs **DOIVENT** être acheminés dans des conduits flexibles. Cela permet le déplacement du conduit lors du retrait de la boîte de jonction lors d'un éventuel entretien, voir p. 39.

- Installez un dispositif de sectionnement à moins de 3 pieds (0,9 m) du boîtier de jonction électrique de la thermopompe, ou aussi près que pratique. Assurez-vous de toujours respecter les exigences des normes et codes applicables.

NOTE: reportez-vous à l'article 680 du NEC pour connaître les exigences générales relatives aux piscines et à leurs équipements, et à l'article 440 pour les considérations relatives aux circuits alimentant des moteurs frigorifiques hermétiques ou compresseurs.

- Lors du dimensionnement des conducteurs électriques, considérez augmenter le calibre pour les plus longues distances. Assurez-vous de toujours respecter les exigences des normes et codes applicables.
- L'installation électrique devrait uniquement être effectuée par un électricien licencié.

Cet appareil est conçu et pré-câblé en usine pour fonctionner avec un module de commande externe, un module de chauffage à la demande ou une minuterie. Reportez-vous aux instructions du module de commande et à la page 31 du présent manuel pour plus de détails d'installation.

On retrouve une cosse de MALT à la droite des raccords d'eau.

NOTE: il est possible de déplacer la prise de terre à la gauche des raccords d'eau pour accommoder les particularités de l'installation.

6. ALIMENTATION EN EAU

ATTENTION: les raccords d'entrée et de sortie d'eau de la thermopompe ne sont **PAS** interchangeables. Les raccords doivent être effectués comme indiqué ci-dessous.

⚠ AVERTISSEMENT: la mauvaise installation de tout dispositif d'alimentation automatique de produits chimiques peut cause de graves dommages ou une défaillance prématurée de la thermopompe et peut annuler sa garantie. Installez un clapet anti-retour ou une boucle Hartford **APRÈS** la thermopompe, mais **AVANT** tout distributeur de produits chimiques. Installez toujours le distributeur automatique de produits chimiques **APRÈS** la thermopompe.

1. Raccordez la thermopompe dans la section de retour d'eau, entre le filtre et la piscine. Voir "Schéma de plomberie", p. 41.
2. Raccordez la sortie du filtre au raccord marqué INLET/ENTRÉE, sur la partie inférieure avant de la thermopompe.
3. Raccordez le raccord marqué OUTLET/SORTIE au raccord de retour de la piscine/spa. Les raccords d'entrée et de sortie de la thermopompe ont un diamètre de 1-1/2 po (PVC) sur les modèles 2450-4450 et de 2 po (PVC) sur les modèles 5450-8450.

Les raccords et conduites entre la thermopompe et la conduite de retour de la piscine peuvent être en PVC ou en conduit flexible approuvé pour cette application et leur diamètre doit être au moins égal à celui du circuit principal de recirculation de la piscine ou du spa.

4. Installez des robinets d'arrêt ou de contournement, préférablement des vannes à 3 voies qui permettent de contourner la thermopompe, sur les conduites d'entrée et de sortie de la thermopompe, dans les cas suivants:
 - le débit traversant l'appareil est supérieur à 40 GPM (151 L/m) (modèles 2450-4450) ou à 80 GPM (203 L/m) (modèles 5450-8450);
 - pour éviter d'exposer la thermopompe (contournement complet) à des produits chimiques corrosifs (nettoyage avec des produits acides, traitements-chocs consécutifs, nettoyage de taches, etc.); ou pour isoler la thermopompe lors d'un entretien ou pour la vidanger avant l'hiver, tout en laissant fonctionner la boucle de recirculation principale.

Reportez-vous aux schémas de plomberie, à compter de la page 41, pour plus de détails.

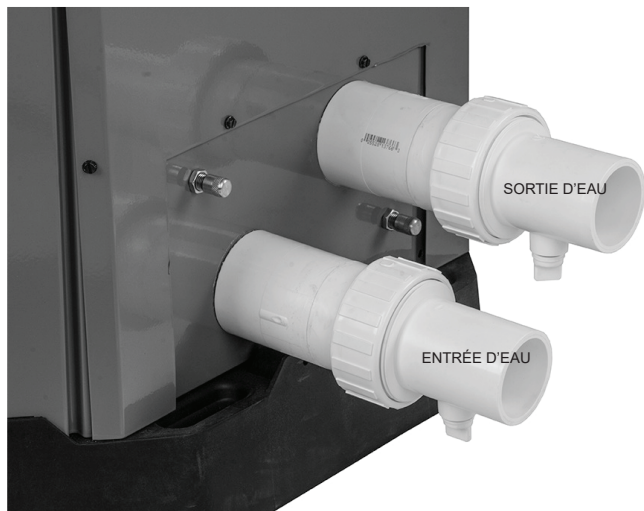
N° modèle	Alim.	Courant admissible min.	Disjoncteur (A)		Calibre du circuit en fonction de sa longueur* pi (m)				
			MIN.	MAX.	12 AWG	10 AWG	8 AWG	6 AWG	4 AWG
2450	208/230-1-60	22	30	35	77 (23,5)	123 (37,5)	197 (60,0)	312 (95,1)	500 (152,4)
3450	208/230-1-60	29	35	50	s.o.	94 (28,7)	151 (46,0)	239 (72,8)	383 (116,7)
4450	208/230-1-60	32	40	50	s.o.	89 (27,1)	142 (43,3)	225 (68,6)	359 (109,4)
5450	208/230-1-60	30	40	60	s.o.	94 (28,7)	151 (46,0)	239 (72,8)	383 (116,7)
6450	208/230-1-60	34	50	60	s.o.	97 (29,6)	156 (47,5)	247 (75,3)	396 (120,7)
8450	208/230-1-60	42	50	60	s.o.	s.o.	110 (33,5)	175 (53,3)	280 (85,3)

* À titre indicatif seulement - consultez le NEC ou le Code canadien de l'électricité.

Tableau B. Exigences d'alimentation électriques typiques

Veillez noter: certains codes locaux de plomberie ne permettent pas l'installation d'un robinet d'arrêt sur la conduite de sortie d'un équipement de chauffage, surtout lorsqu'il y en a un du côté de l'entrée. Si cette interdiction est en vigueur, la pose d'un té en PVC et d'un clapet antiretour à ressort est habituellement permise sur cette conduite de sortie. Raypak permet la pose d'une paire de robinets d'arrêt, ce qui est utile pour protéger la thermopompe contre le retour de produits chimiques déposés dans l'écumoire ou un chlorinateur installé après celle-ci.

- Mettez la pompe en marche et assurez de l'absence de toute fuite.



- Les raccords d'entrée et de sortie sont munis de tés de vidange (voir **Figure 7**), ce qui est utile pour vidanger le système avant l'hivernage.

Figure 7. Raccords d'eau/de vidange

NOTE: bien qu'il soit possible d'orienter horizontalement le raccord de vidange du raccord supérieur (entrée d'eau), le fabricant suggère que le raccord de vidange des deux raccords (entrée et sortie) soit orienté vers le bas, comme illustré à la Figure 7.

ATTENTION: lors du retrait des bouchons des raccords de vidange, assurez-vous de les ranger dans un lieu sûr, afin de pouvoir aisément les retrouver et les réinstaller, avant la remise en marche du système.

7. PERTE DE CHARGE

Pour connaître les pertes de charge du système, voir **Tableau B**.

Débit GPM (LPM)	Perte de charge (psi)					
	2450	3450	4450	5450	6450/ 6450HC	8450/ 8450HC
20 (750)	2,5	3,4	3,4			
30 (113)	6	7	7	4	6	9
40 (151)	10	13	13	7	9	9
50 (189)				10	10	10
60 (227)				11	11	11
70 (265)				12	12	12
80 (303)				13	13	13

Note: multipliez la baisse de pression en psi par 2,3067 pour obtenir la baisse de pression en pied de colonne d'eau.

Tableau C. Perte de charge dans la thermopompe

8. AFFICHEUR DE LA THERMOPOMPE

L'afficheur de la thermopompe se trouve à l'extérieur de la thermopompe. Il est possible de sélectionner tous les modes de fonctionnement et paramètres de la thermopompe à l'aide des 3 trois touches situées sous l'afficheur. Voir **Figure 8** pour connaître leur apparence:

- MENU/SET – Pour passer d'un menu à l'autre et sélectionner les valeurs (MENU).
- UP – Pour hausser la valeur affichée
- DOWN – Pour réduire la valeur affichée



Figure 8. Afficheur de la thermopompe

L'afficheur possède un écran ACL rétroéclairé à 2 lignes et à 16 caractères. Le rétro-éclairage est normalement éteint. Le rétro-éclairage reste allumé pendant 15 minutes après sa mise sous tension et 15 minutes après l'enfoncement de n'importe quelle touche. Cet afficheur ACL sert à la configuration et à la surveillance du fonctionnement de l'appareil.

Si aucune touche n'est enfoncée pendant 180 secondes (3 minutes), le menu d'accueil s'affiche.

Sur les modèles HEAT ONLY et POWER DEFROST, l'enfoncement de la touche MENU/SET présente successivement les menus POOL HEAT, SPA, TIMED SPA et OFF.

Sur les modèles qui peuvent uniquement CHAUFFER et REFROIDIR l'eau, l'enfoncement de la touche MENU/SET présente successivement les menus POOL HEAT, POOL COOL, POOL AUTO, SPA, TIMED SPA et OFF. La température de consigne de refroidissement peut être réglée jusqu'à 50°F (27°C) de moins que la valeur de consigne de chauffage. Cela permet de faire varier la température d'un petit bassin d'eau. Sélectionnez la température de refroidissement selon votre préférence.

Lors de la toute première mise sous tension, tous les segments de l'écran ACL s'allument brièvement. Lors des mises sous tension subséquentes, l'écran ACL affiche pendant 2 secondes la version du logiciel et le modèle (HEAT ONLY, POWER DEFROST ou HEAT/COOL) et retourne au menu précédemment sélectionné par l'utilisateur.

Les points de consigne sont sauvegardés dans une mémoire non volatile. Si lors d'une vérification d'auto-diagnostic, le module de commande détecte une corruption des valeurs en mémoire, le message « EEPROM Fault » s'affiche sur l'écran ACL et le système ne peut être remis en marche tant que les points de consigne n'auront pas été manuellement redéfinis.

Si certains paramètres ne sont pas définis (ex.: lors du remplacement du module de commande), un message invitant à sélectionner un modèle (HEAT ONLY, POWER DEFROST ou HEAT/COOL) s'affiche et le système ne peut être remis en marche tant qu'un modèle n'aura pas été sélectionné.

Lors de l'installation initiale, plusieurs paramètres doivent être programmés, en fonction de la configuration d'installation et des accessoires qui sont commandés par le module de commande. Par exemple: (1) Commande de la pompe (Oui ou Non; type de commande – 4 vitesses ou vitesse variable), (2) Commande de la vanne à 3 voies (Oui ou Non) et (3) Commande auxiliaire (Oui ou Non et ensuite quel type – chauffage externe, sortie auxiliaire ou sortie de commande à distance).

Une fois ces choix effectués, il faut aussi définir l'horaire de fonctionnement de la pompe, la vitesse de fonctionnement de la pompe lors de chaque période et la position des vannes d'aspiration et de refoulement lors de chaque période.

Il est ainsi possible de choisir des paramètres de fonctionnement très simples ou très pointus, en fonction des besoins d'utilisation. Une fois tous les paramètres programmés, le module permet la mise en marche du système.

L'utilisateur peut choisir l'un parmi plusieurs modes de fonctionnement. Pour sélectionner un mode, il suffit

d'appuyer en succession sur la touche MENU (possède l'indication MENU/SET, mais nous utiliserons MENU dans ces instructions pour simplifier) pour passer d'un mode à l'autre. Chaque enfoncement de la touche MENU permet de sélectionner le mode suivant. À noter: l'enfoncement continu de la touche MENU ne permet pas d'automatiquement passer d'un mode à l'autre. En fait, un enfoncement continu de la touche MENU (pendant plus de 3 secondes) active le menu Utilisateur (USER).

9. MODES UTILISATEUR

Pour les modèles HEAT ONLY et POWER DEFROST, les modes de fonctionnement sont les suivants:

- OFF – POOL HEAT – SPA – TIMED SPA.

Voici une brève description des modes possibles pour les modèles HEAT/COOL:

1. Lorsque le mode POOL HEAT est sélectionné, chaque enfoncement des touches UP ou DOWN augmente ou réduit la température de consigne de la thermopompe chauffe-piscine et spa. Il est possible de maintenir les touches UP ou DOWN enfoncées pour accélérer le défilement des valeurs de la température.
2. Lorsque le mode SPA est sélectionné, chaque enfoncement des touches UP ou DOWN augmente ou réduit la température de consigne de la thermopompe chauffe-piscine et spa. Il est possible de maintenir les touches UP ou DOWN enfoncées pour accélérer le défilement des valeurs de la température.
3. Lorsque le mode SPA TIMED est sélectionné, l'écran affiche « Up or Dn to Set ». Ce message indique à l'utilisateur qu'il doit appuyer sur les touches UP ou DOWN pour sélectionner la durée de chauffage du spa. L'enfoncement de la touche UP augmente la durée de fonctionnement par incréments de 15 minutes (6 heures maximum). L'enfoncement de la touche DOWN réduit la durée de fonctionnement par incréments de 15 minutes. La thermopompe se mettra à chauffer jusqu'à l'atteinte de la température de consigne et la maintiendra pour la durée de fonctionnement ainsi sélectionnée. À l'expiration de cette durée de fonctionnement par minuterie, le mode retourne à celui qui était précédemment sélectionné (POOL HEAT, POOL COOL, POOL AUTO, SPA ou OFF). Lorsque l'appareil est en marche, le texte affiché à l'écran alterne entre la température de consigne actuelle et l'état fonctionnement actuel (« HEATING » par exemple). Il suffit d'appuyer sur la touche MENU pour afficher la durée de minuterie restante. Appuyez à nouveau sur la touche MENU pour revenir à l'affichage du statut.

Pour les modèles HEAT/COOL, les modes de fonctionnement sont les suivants:

- OFF – POOL HEAT – POOL COOL – POOL AUTO – SPA – TIMED SPA.

Voici une brève description des modes possibles pour les modèles HEAT/COOL:

1. Lorsque le mode POOL HEAT est sélectionné, chaque enfoncement des touches UP ou DOWN augmente ou réduit la température de consigne de la thermopompe chauffe-piscine et spa. Il est possible de maintenir les touches UP ou DOWN enfoncées pour accélérer le défilement des valeurs de la température.
2. Lorsque le mode POOL COOL est sélectionné, chaque enfoncement des touches UP ou DOWN augmente ou réduit la température de consigne de la thermopompe chauffe-piscine et spa. Il est possible de maintenir les touches UP ou DOWN enfoncées pour accélérer le défilement des valeurs de la température.
3. Lorsque le mode POOL AUTO est sélectionné, chaque enfoncement des touches UP ou DOWN augmente ou réduit la température de consigne de la thermopompe chauffe-piscine et spa. Il est possible de maintenir les touches UP ou DOWN enfoncées pour accélérer le défilement des valeurs de la température.
4. Lorsque le mode SPA est sélectionné, chaque enfoncement des touches UP ou DOWN augmente ou réduit la température de consigne de la thermopompe chauffe-piscine et spa. Il est possible de maintenir les touches UP ou DOWN enfoncées pour accélérer le défilement des valeurs de la température.
5. Lorsque le mode SPA TIMED est sélectionné, l'écran affiche « Up or Dn to Set ». Ce message indique à l'utilisateur qu'il doit appuyer sur les touches UP ou DOWN pour sélectionner la durée de chauffage du spa. L'enfoncement de la touche UP augmente la durée de fonctionnement par incréments de 15 minutes (6 heures maximum). L'enfoncement de la touche DOWN réduit la durée de fonctionnement par incréments de 15 minutes. La thermopompe se mettra à chauffer jusqu'à l'atteinte de la température de consigne et la maintiendra pour la durée de fonctionnement ainsi sélectionnée. À l'expiration de cette durée de fonctionnement par minuterie, le mode retourne à celui qui était précédemment sélectionné (POOL HEAT, POOL COOL, POOL AUTO, SPA ou OFF). Lorsque l'appareil est en marche, le texte affiché à l'écran alterne entre la température de consigne actuelle et l'état fonctionnement actuel (« HEATING » par exemple). Il suffit d'appuyer sur la touche MENU pour afficher la durée de minuterie

restante. Appuyez à nouveau sur la touche MENU pour revenir à l'affichage du statut.

Le module de commande enregistre le point de consigne dans la mémoire non volatile et peut commencer à l'utiliser pour le déclenchement d'un appel de chaleur 2 secondes après le relâchement des boutons HAUT et BAS pendant plus de 2 secondes.

Pour accéder au mode REMOTE (commande à distance), il suffit de simultanément appuyer sur les touches UP et DOWN pendant 3 secondes. Lors de la désélection du mode REMOTE, le système est mis à l'arrêt (mode OFF).

Lorsque le mode REMOTE est actif, l'enfoncement simultané des touches UP, DOWN et MENU entraîne l'affichage du texte suivant à l'écran: "Exit Remote Mode to Adjust Temp". Cela ne modifie pas les températures de consigne. Appuyez et maintenez enfoncées les touches UP et DOWN pendant 3 secondes pour sortir du mode REMOTE.

Pour accéder au menu installateur (INSTALLER/SERVICE), il suffit de maintenir enfoncées les touches UP et MENU pendant au moins 3 secondes. Le menu INSTALLATION/SERVICE ne permet pas de modifier pas le mode de fonctionnement de l'appareil, qui continuera à fonctionner comme préréglé. Pour afficher les divers écrans de statuts dans ce menu, il suffit d'appuyer sur les touches UP et DOWN. Certains éléments de ce menu (ex.: Fault History et Sensor Temperatures) possèdent des sous-entrées qu'il est possible d'afficher en appuyant sur les touches UP ou DOWN. Pour sortir du menu INSTALLER/SERVICE et retourner à l'affichage précédent, il suffit d'appuyer sur les touches UP et MENU ou d'attendre 60 secondes, sans appuyer sur aucune touche.

10. MENUS DE COMMANDE

Pour accéder au menu utilisateur (USER), il suffit de maintenir enfoncée la touche MENU pendant au moins 3 secondes. Ce menu permet à l'utilisateur de modifier les températures de consigne et l'horaire de fonctionnement de la pompe. Chacun des modèles possède des fonctions et des paramètres qui lui sont particuliers. Les modèles décrits dans le présent manuel sont: HEAT ONLY (chauffage seulement), POWER DEFROST (dégivrage) et HEAT/COOL (chauffage/refroidissement). Le tableau suivant présente les diverses fonctions et les divers paramètres configurables sur les modèles HEAT ONLY, POWER DEFROST et HEAT/COOL, notamment les valeurs par défaut, les plages de valeurs sélectionnables, ainsi qu'une brève description de chaque fonction.

Menu utilisateur – Chauffage seulement, dégivrage et chauffage/refroidissement

NOTE: le menu utilisateur est identique pour les modèles Chauffage seulement, Dégivrage et Chauffage/refroidissement.

NOTE: assurez-vous de prendre bonne note de chacun de ces paramètres pour référence ultérieure, au cas où il faudrait réinitialiser le module. À la suite d'une réinitialisation, toutes ces valeurs doivent être entrées à nouveau.

Élément		Plage de sélection	Val. par défaut	Niveau d'accès	Description
Réglage de l'heure courante		12:00A–11:59P		Réglages	Réglage de l'heure – « A » ou « P » indique si l'heure définie est AM ou PM.
Sélection °C / °F		Celsius/Fahrenheit	Fahrenheit	Utilisateur	Sélectionne les unités de mesure de la température.
Temp. max. du spa		65°F–104°F (18°C–40°C)	104°F (40°C)	Utilisateur	Sélectionne la température de réglage maximale du spa en fonctionnement normal.
Temp. max. piscine		65°F–95°F (18°C–35°C)	95°F (35°C)	Utilisateur	Sélectionne la température de réglage maximale de la piscine en fonctionnement normal.
Horaire de fonctionnement		0–4		Utilisateur	Disponible uniquement si le mode de fonctionnement du menu Installateur est défini sur « 4 vitesses activé » ou « Variable activé ».
	Pump On Time 1	12:00A–11:59P		Réglages	Sélectionne l'heure de mise en marche de la pompe, période 1
	Pump Off Time 1	12:00A–11:59P		Réglages	Sélectionne l'heure d'arrêt de la pompe, période 1
	Pump Speed 1	1–4 si mode 4 vitesses activé 0%–100% si Variable activé		Utilisateur	Avec une pompe à 4 vitesses, correspond au signal de sortie envoyé au cours de cette période. Avec une pompe à vitesse variable, correspond au signal à impulsions envoyé au cours de cette période.
	Return Valve 1	Pool/Spa	Pool	Réglages	Sélectionne la position d'une vanne à 3 voies installée entre la thermopompe et la piscine/le spa au cours de cette période de pompage.
	Suction Valve 1	Pool/Spa	Pool	Utilisateur	Sélectionne la position d'une vanne à 3 voies installée entre la piscine/ le spa et la pompe au cours de cette période de pompage.
	Pump On Time 2	12:00A–11:59P		Réglages	Sélectionne l'heure de mise en marche de la pompe, période 2
	Pump Off Time 2	12:00A–11:59P		Réglages	Sélectionne l'heure d'arrêt de la pompe, période 2
	Pump Speed 2	1–4 si mode 4 vitesses activé 0%–100% si Variable activé		Utilisateur	Avec une pompe à 4 vitesses, correspond au signal de sortie envoyé au cours de cette période. Avec une pompe à vitesse variable, correspond au signal à impulsions envoyé au cours de cette période.

Tableau D. MENU USER – Chauffage seulement, dégivrage et chauffage/refroidissement

suite page suivante...

Élément		Plage de sélection	Val. par défaut	Niveau d'accès	Description
	Return Valve 2	Pool/Spa	Pool	Réglages	Sélectionne la position d'une vanne à 3 voies installée entre la thermopompe et la piscine/le spa au cours de cette période de pompage.
	Suction Valve 2	Pool/Spa	Pool	Utilisateur	Sélectionne la position d'une vanne à 3 voies installée entre la piscine/ le spa et la pompe au cours de cette période de pompage.
	Pump On Time 3	12:00A-11:59P		Réglages	Sélectionne l'heure de mise en marche de la pompe, période 3
	Pump Off Time 3	12:00A-11:59P		Réglages	Sélectionne l'heure d'arrêt de la pompe, période 3
	Pump Speed 3	1-4 si mode 4 vitesses activé 0%-100% si Variable activé		Utilisateur	Avec une pompe à 4 vitesses, correspond au signal de sortie envoyé au cours de cette période. Avec une pompe à vitesse variable, correspond au signal à impulsions envoyé au cours de cette période.
	Return Valve 3	Pool/Spa	Pool	Réglages	Sélectionne la position d'une vanne à 3 voies installée entre la thermopompe et la piscine/le spa au cours de cette période de pompage.
	Suction Valve 3	Pool/Spa	Pool	Utilisateur	Sélectionne la position d'une vanne à 3 voies installée entre la piscine/ le spa et la pompe au cours de cette période de pompage.
	Pump On Time 4	12:00A-11:59P		Réglages	Sélectionne l'heure de mise en marche de la pompe, période 4
	Pump Off Time 4	12:00A-11:59P		Réglages	Sélectionne l'heure d'arrêt de la pompe, période 4
	Pump Speed 4	1-4 si mode 4 vitesses activé 0%-100% si Variable activé		Utilisateur	Avec une pompe à 4 vitesses, correspond au signal de sortie envoyé au cours de cette période. Avec une pompe à vitesse variable, correspond au signal à impulsions envoyé au cours de cette période.
	Return Valve 4	Pool/Spa	Pool	Réglages	Sélectionne la position d'une vanne à 3 voies installée entre la thermopompe et la piscine/le spa au cours de cette période de pompage.
	Suction Valve 4	Pool/Spa	Pool	Utilisateur	Sélectionne la position d'une vanne à 3 voies installée entre la piscine/ le spa et la pompe au cours de cette période de pompage.

Menu Installer/Service – Chauffage seulement

Le menu Installateur/Entretien doit être utilisé par l'installateur pour configurer et dépanner la thermopompe. Pour accéder à ce menu, il suffit de maintenir enfoncés les touches UP et MENU pendant au moins 3 secondes. **AVERTISSEMENT: ce menu n'est pas destiné à être utilisé par l'utilisateur final, car toute modification pourrait entraîner un dysfonctionnement de l'appareil.**

NOTE: assurez-vous de prendre bonne note de chacun de ces paramètres pour référence ultérieure, au cas où il faudrait réinitialiser le module. À la suite d'une réinitialisation, toutes ces valeurs doivent être entrées à nouveau.

Élément		Plage de sélection	Val. par défaut	Niveau d'accès	Description
Réglage de l'heure courante		12:00A–11:59P		Installateur	Réglage de l'heure – « A » ou « P » indique si l'heure définie est AM ou PM.
Horaire de fonctionnement		0–4		Installateur	Disponible uniquement si le mode de fonctionnement du menu Installateur est défini sur « 4 vitesses activé » ou « Variable activé ».
	Pump On Time 1	12:00A–11:59P		Installateur	Sélectionne l'heure de mise en marche de la pompe, période 1
	Pump Off Time 1	12:00A–11:59P		Installateur	Sélectionne l'heure d'arrêt de la pompe, période 1
	Pump Speed 1	1–4 si mode 4 vitesses activé 0%–100% si Variable activé		Installateur	Avec une pompe à 4 vitesses, correspond au signal de sortie envoyé au cours de cette période. Avec une pompe à vitesse variable, correspond au signal à impulsions envoyé au cours de cette période.
	Return Valve 1	Pool/Spa	Pool	Installateur	Sélectionne la position d'une vanne à 3 voies installée entre la thermopompe et la piscine/le spa au cours de cette période de pompage.
	Suction Valve 1	Piscine/Spa	Piscine	Installateur	Sélectionne la position d'une vanne à 3 voies installée entre la piscine/ le spa et la pompe au cours de cette période de pompage.
	Pump On Time 2	12:00A–11:59P		Installateur	Sélectionne l'heure de mise en marche de la pompe, période 2
	Pump Off Time 2	12:00A–11:59P		Installateur	Sélectionne l'heure d'arrêt de la pompe, période 2
	Pump Speed 2	1–4 si mode 4 vitesses activé 0%–100% si Variable activé		Installateur	Avec une pompe à 4 vitesses, correspond au signal de sortie envoyé au cours de cette période. Avec une pompe à vitesse variable, correspond au signal à impulsions envoyé au cours de cette période.
	Return Valve 2	Pool/Spa	Pool	Installateur	Sélectionne la position d'une vanne à 3 voies installée entre la thermopompe et la piscine/le spa au cours de cette période de pompage.
	Suction Valve 2	Piscine/Spa	Piscine	Installateur	Sélectionne la position d'une vanne à 3 voies installée entre la piscine/ le spa et la pompe au cours de cette période de pompage.
	Pump On Time 3	12:00A–11:59P		Installateur	Sélectionne l'heure de mise en marche de la pompe, période 3

Tableau E. MENU INSTALLER/SERVICE – CHAUFFAGE SEULEMENT

suite page suivante...

Élément		Plage de sélection	Val. par défaut	Niveau d'accès	Description
	Pump Off Time 3	12:00A-11:59P		Installateur	Sélectionne l'heure d'arrêt de la pompe, période 3
	Pump Speed 3	1-4 si mode 4 vitesses activé 0%-100% si Variable activé		Installateur	Avec une pompe à 4 vitesses, correspond au signal de sortie envoyé au cours de cette période. Avec une pompe à vitesse variable, correspond au signal à impulsions envoyé au cours de cette période.
	Return Valve 3	Pool/Spa	Pool	Installateur	Sélectionne la position d'une vanne à 3 voies installée entre la thermopompe et la piscine/le spa au cours de cette période de pompage.
	Suction Valve 3	Pool/Spa	Pool	Installateur	Sélectionne la position d'une vanne à 3 voies installée entre la piscine/ le spa et la pompe au cours de cette période de pompage.
	Pump On Time 4	12:00A-11:59P		Installateur	Sélectionne l'heure de mise en marche de la pompe, période 4
	Pump Off Time 4	12:00A-11:59P		Installateur	Sélectionne l'heure d'arrêt de la pompe, période 4
	Pump Speed 4	1-4 si mode 4 vitesses activé 0%-100% si Variable activé		Installateur	Avec une pompe à 4 vitesses, correspond au signal de sortie envoyé au cours de cette période. Avec une pompe à vitesse variable, correspond au signal à impulsions envoyé au cours de cette période.
	Return Valve 4	Pool/Spa	Pool	Installateur	Sélectionne la position d'une vanne à 3 voies installée entre la thermopompe et la piscine/le spa au cours de cette période de pompage.
	Suction Valve 4	Pool/Spa	Pool	Installateur	Sélectionne la position d'une vanne à 3 voies installée entre la piscine/ le spa et la pompe au cours de cette période de pompage.
Faults Last				Installateur/entretien	Historique des 10 plus récentes erreurs de fonctionnement en commençant par la plus récente. Utiliser les boutons UP/DOWN pour passer de l'une à l'autre. S'il n'y a aucune erreur enregistrée, l'écran affiche « All Faults Clear ».
Clear Faults				Installateur/entretien	Maintenir les boutons UP/DOWN enfoncés pendant plus de 3 secondes pour effacer l'historique des erreurs enregistrées. « Faults Cleared » s'affiche à l'écran.
Run Hours XXXX Cycles XXXX				Installateur/entretien	Affiche le nombre d'heures et le nombre de cycles de fonctionnement du compresseur de la thermopompe.

suite page suivante...

Élément		Plage de sélection	Val. par défaut	Niveau d'accès	Description
Voltage Up/ Down for More				Installateur/entretien	Appuyer simultanément sur les boutons UP/DOWN pour accéder à des mesures de température additionnelles.
	Voltage	Affichage seulement – VCA		Installateur/entretien	Affiche la tension 24 VCA mesurée par la carte électronique.
	Coil Temp	Affichage seulement – °F ou °C		Installateur/entretien	Affiche la valeur du capteur de température du serpentín – utilisée pour le dégivrage.
	Amb Temp	Affichage seulement – °F ou °C		Installateur/entretien	Affiche la valeur du capteur de température ambiante – utilisée pour le dégivrage et la mise à l'arrêt en raison de la température ambiante.
	Suct Temp	Affichage seulement – °F ou °C		Installateur/entretien	Affiche la valeur du capteur de température du conduit d'aspiration – uniquement utilisée pour l'opération de la vanne d'expansion (EXV). Ne s'affiche pas si le mode EXV est: Désactivé.
	EXV Temp	Affichage seulement – °F ou °C		Installateur/entretien	Affiche la valeur du capteur de température de la vanne d'expansion (EXV) – uniquement utilisée si le mode EXV est: Activé et le capteur de température EXV est utilisé. NOTE: uniquement utilisé que lorsque le capteur de pression n'est PAS utilisé.
	Sat Temp	Affichage seulement – °F ou °C		Installateur/entretien	Affiche la conversion du capteur de pression en une température. S'affiche quand le mode EXV est: Activé.
	Water Temp	Affichage seulement – °F ou °C		Installateur/entretien	Affiche la valeur de la sonde de température de l'eau – température de fonctionnement.
Installer Menu		Yes ou No	No		Sélectionner OUI et appuyer sur la touche MENU pour accéder à d'autres sélections de programmation dans ce sous-menu Installateur/entretien. Sélectionner Non et le prochain enfoncement de la touche MENU revient à l'écran Set Current Time.
	Pump Operation	4-Speed Enabled, Variable Enabled, Disabled	Disabled	Sous-menu Installateur/entretien	Pour contrôler la pompe par l'intermédiaire de la thermopompe; sélectionner le mode approprié: 4 vitesses activé (pour pompe à vitesses fixes) ou Variable activé (pour pompe à vitesse variable).
	Pump Heat			Installateur/entretien	Pour configurer le signal numérique envoyé à la pompe lors du fonctionnement de la thermopompe.
	Valve Operation	Enabled, Disabled	Disabled	Installateur/entretien	Pour le réglage d'une vanne à 3 voies. Désactivé par défaut. Lorsque ce paramètre est activé, le module de commande vérifie si la vanne de refoulement et d'aspiration doivent être à la position Piscine ou Spa lors d'une période de pompage.
	AUX Mode	AUX OFF, AUX OUTPUT, REMOTE OUT, EXT HEAT	AUX OFF	Installateur/entretien	Voir "AUX Mode" à la page 30 pour une description du fonctionnement.

suite page suivante...

Élément		Plage de sélection	Val. par défaut	Niveau d'accès	Description
	Defrost Temp	20°F–35°F (-6,5°C–1,5°C)	24°F (-4°C)	Installateur/ entretien	Température mesurée au serpentin en mode Dégivrage.
	Defrost Deadband	5°F–20°F (3°C–11°C)	10°F (5,5°C)	Installateur/ entretien	Le mode dégivrage se désactive lorsque la température du serpentin est supérieure à la Température de dégivrage + Bande morte.
	Outside Lockout	Off, 30°F–50°F (-1°C–10°C)	Off	Installateur/ entretien	Pour mettre l'appareil à l'arrêt lorsque la température extérieure atteint une valeur prédéterminée. Le réglage "Off" permet le fonctionnement à toute température ambiante.
	Set Model Type	HEAT ONLY, POWER DEFROST, HEAT/COOL	HEAT ONLY	Installateur/ entretien	Réglé à l'usine. Doit être réglé par l'installateur lors de tout remplacement de la carte électronique.
	EXV	Disabled, Type 1, Type 2		Installateur/ entretien	Réglé à l'usine. Sélectionner « Désactivé » si l'appareil est équipé d'une vanne d'expansion (EXV) lors d'un remplacement de carte électronique. EXV Type 1: EXV à 500 incréments. EXV Type 2: EXV à 1600 incréments.
	Change EXV to	Oui/Non		Installateur/ entretien	Cet écran demande si vous voulez vraiment modifier le paramètre EXV. Appuyer sur le bouton UP ou DOWN pour afficher OUI avant de modifier le type EXV.
	Brownout Detection On	On/Off	On	Installateur/ entretien	Pour mettre l'appareil à l'arrêt lorsque le signal 24 Vca descend sous 18 Vca. Cette fonction peut être désactivée au besoin.
	Set Factory Defaults			Installateur/ entretien	Appuyer et maintenir enfoncés les boutons UP / DOWN pendant plus de 3 secondes pour réinitialiser le module à ses paramètres d'usine. Une fois la réinitialisation effectuée, l'écran affiche « Defaults Set ».

Menu Installer/Service – Dégivrage

NOTE: assurez-vous de prendre bonne note de chacun de ces paramètres pour référence ultérieure, au cas où il faudrait réinitialiser le module. À la suite d'une réinitialisation, toutes ces valeurs doivent être entrées à nouveau.

Élément		Plage de sélection	Val. par défaut	Niveau d'accès	Description
Réglage de l'heure courante		12:00A-11:59P		Installateur	Réglage de l'heure – « A » ou « P » indique si l'heure définie est AM ou PM.
Horaire de fonctionnement		0-4		Installateur	Disponible uniquement si le mode de fonctionnement du menu Installateur est défini sur « 4 vitesses activé » ou « Variable activé ».
	Pump On Time 1	12:00A-11:59P		Installateur	Sélectionne l'heure de mise en marche de la pompe, période 1
	Pump Off Time 1	12:00A-11:59P		Installateur	Sélectionne l'heure d'arrêt de la pompe, période 1
	Pump Speed 1	1-4 si mode 4 vitesses activé 0%-100% si Variable activé		Installateur	Avec une pompe à 4 vitesses, correspond au signal de sortie envoyé au cours de cette période. Avec une pompe à vitesse variable, correspond au signal à impulsions envoyé au cours de cette période.
	Return Valve 1	Pool/Spa	Pool	Installateur	Sélectionne la position d'une vanne à 3 voies installée entre la thermopompe et la piscine/le spa au cours de cette période de pompage.
	Suction Valve 1	Pool/Spa	Pool	Installateur	Sélectionne la position d'une vanne à 3 voies installée entre la piscine/ le spa et la pompe au cours de cette période de pompage.
	Pump On Time 2	12:00A-11:59P		Installateur	Sélectionne l'heure de mise en marche de la pompe, période 2
	Pump Off Time 2	12:00A-11:59P		Installateur	Sélectionne l'heure d'arrêt de la pompe, période 2
	Pump Speed 2	1-4 si mode 4 vitesses activé 0%-100% si Variable activé		Installateur	Avec une pompe à 4 vitesses, correspond au signal de sortie envoyé au cours de cette période. Avec une pompe à vitesse variable, correspond au signal à impulsions envoyé au cours de cette période.
	Return Valve 2	Pool/Spa	Pool	Installateur	Sélectionne la position d'une vanne à 3 voies installée entre la thermopompe et la piscine/le spa au cours de cette période de pompage.
	Suction Valve 2	Pool/Spa	Pool	Installateur	Sélectionne la position d'une vanne à 3 voies installée entre la piscine/ le spa et la pompe au cours de cette période de pompage.
	Pump On Time 3	12:00A-11:59P		Installateur	Sélectionne l'heure de mise en marche de la pompe, période 3

Tableau F. Menu Installer/Service – Dégivrage
suite page suivante...

Élément		Plage de sélection	Val. par défaut	Niveau d'accès	Description
	Pump Off Time 3	12:00A-11:59P		Installateur	Sélectionne l'heure d'arrêt de la pompe, période 3
	Pump Speed 3	1-4 si mode 4 vitesses activé 0%-100% si Variable activé		Installateur	Avec une pompe à 4 vitesses, correspond au signal de sortie envoyé au cours de cette période. Avec une pompe à vitesse variable, correspond au signal à impulsions envoyé au cours de cette période.
	Return Valve 3	Pool/Spa	Pool	Installateur	Sélectionne la position d'une vanne à 3 voies installée entre la thermopompe et la piscine/le spa au cours de cette période de pompage.
	Suction Valve 3	Pool/Spa	Pool	Installateur	Sélectionne la position d'une vanne à 3 voies installée entre la piscine/ le spa et la pompe au cours de cette période de pompage.
	Pump On Time 4	12:00A-11:59P		Installateur	Sélectionne l'heure de mise en marche de la pompe, période 4
	Pump Off Time 4	12:00A-11:59P		Installateur	Sélectionne l'heure d'arrêt de la pompe, période 4
	Pump Speed 4	1-4 si mode 4 vitesses activé 0%-100% si Variable activé		Installateur	Avec une pompe à 4 vitesses, correspond au signal de sortie envoyé au cours de cette période. Avec une pompe à vitesse variable, correspond au signal à impulsions envoyé au cours de cette période.
	Return Valve 4	Pool/Spa	Pool	Installateur	Sélectionne la position d'une vanne à 3 voies installée entre la thermopompe et la piscine/le spa au cours de cette période de pompage.
	Suction Valve 4	Pool/Spa	Pool	Installateur	Sélectionne la position d'une vanne à 3 voies installée entre la piscine/ le spa et la pompe au cours de cette période de pompage.
Faults Last				Installateur/entretien	Historique des 10 plus récentes erreurs de fonctionnement en commençant par la plus récente. Utiliser les boutons UP/DOWN pour passer de l'une à l'autre. S'il n'y a aucune erreur enregistrée, l'écran affiche « All Faults Clear ».
Clear Faults				Installateur/entretien	Maintenir les boutons UP/DOWN enfoncés pendant plus de 3 secondes pour effacer l'historique des erreurs enregistrées. « Faults Cleared » s'affiche à l'écran.
Run Hours XXXX Cycles XXXX				Installateur/entretien	Affiche le nombre d'heures et le nombre de cycles de fonctionnement du compresseur de la thermopompe.

suite page suivante...

Élément		Plage de sélection	Val. par défaut	Niveau d'accès	Description
Voltage Up/ Down for More				Installateur/entretien	Appuyer simultanément sur les boutons UP/ DOWN pour accéder à des mesures de température additionnelles.
	Voltage	Affichage seulement – VCA		Installateur/entretien	Affiche la tension 24 VCA mesurée par la carte électronique.
	Coil Temp	Affichage seulement – °F ou °C		Installateur/entretien	Affiche la valeur du capteur de température du serpentin – utilisée pour le dégivrage.
	Amb Temp	Affichage seulement – °F ou °C		Installateur/entretien	Affiche la valeur du capteur de température ambiante – utilisée pour le dégivrage et la mise à l'arrêt en raison de la température ambiante.
	Suct Temp	Affichage seulement – °F ou °C		Installateur/entretien	Affiche la valeur du capteur de température du conduit d'aspiration – uniquement utilisée pour l'opération de la vanne d'expansion (EXV). Ne s'affiche pas si le mode EXV est: Désactivé.
	EXV Temp	Affichage seulement – °F ou °C		Installateur/entretien	Affiche la valeur du capteur de température de la vanne d'expansion (EXV) – uniquement utilisée si le mode EXV est: Activé et le capteur de température EXV est utilisé. NOTE: uniquement utilisé que lorsque le capteur de pression n'est PAS utilisé.
	Sat Temp	Affichage seulement – °F ou °C		Installateur/entretien	Affiche la conversion du capteur de pression en une température. S'affiche quand le mode EXV est: Activé.
	Water Temp	Affichage seulement – °F ou °C		Installateur/entretien	Affiche la valeur de la sonde de température de l'eau – température de fonctionnement.
Installer Menu		Yes ou No	No		Sélectionner OUI et appuyer sur la touche MENU pour accéder à d'autres sélections de programmation dans ce sous-menu Installateur/entretien. Sélectionner Non et le prochain enfoncement de la touche MENU revient à l'écran Set Current Time.
	Pump Operation	4-Speed Enabled, Variable Enabled, Disabled	Disabled	Sous-menu Installateur/entretien	Pour contrôler la pompe par l'intermédiaire de la thermopompe; sélectionner le mode approprié: 4 vitesses activé (pour pompe à vitesses fixes) ou Variable activé (pour pompe à vitesse variable).
	Pump Heat			Installateur/entretien	Pour configurer le signal numérique envoyé à la pompe lors du fonctionnement de la thermopompe.
	Valve Operation	Enabled, Disabled	Disabled	Installateur/entretien	Pour le réglage d'une vanne à 3 voies. Désactivé par défaut. Lorsque ce paramètre est activé, le module de commande vérifie si la vanne de refoulement et d'aspiration doivent être à la position Piscine ou Spa lors d'une période de pompage.
	Return Valve Position 1 =	Piscine/Spa	Piscine		
	Suction Valve Position 1 =	Piscine/Spa	Piscine		
	AUX Mode	AUX OFF, AUX OUTPUT, REMOTE OUT, EXT HEAT	AUX OFF	Installateur/entretien	Voir "AUX Mode" à la page 30 pour une description du fonctionnement.

suite page suivante...

Élément		Plage de sélection	Val. par défaut	Niveau d'accès	Description
	AUX1 On Time	12:00A-11:59P		Installateur/entretien	Sélectionne l'heure de mise en marche du contact AUX1.
	AUX1 Off Time	12:00A-11:59P		Installateur/entretien	Sélectionne l'heure d'arrêt du contact AUX1.
	AUX2 On Time	12:00A-11:59P		Installateur/entretien	Sélectionne l'heure de mise en marche du contact AUX2.
	AUX2 Off Time	12:00A-11:59P		Installateur/entretien	Sélectionne l'heure d'arrêt du contact AUX2.
	Defrost Temp	20°F–35°F (-6,5°C–1,5°C)	35°F (1,5°C)	Installateur/entretien	Température mesurée au serpentin en mode Dégivrage.
	Def Terminate	40°F–60°F (4°C–15,5°C)	50°F (10°C)	Installateur/entretien	Température du serpentin qui met fin au cycle de dégivrage. Le fonctionnement de l'appareil est soumis à d'autres algorithmes de dégivrage.
	Outside Lockout	Off, 30°F–50°F (-1°C–10°C)	Off	Installateur/entretien	Pour mettre l'appareil à l'arrêt lorsque la température extérieure atteint une valeur prédéterminée. Le réglage "Off" permet le fonctionnement à toute température ambiante.
	Set Model Type	HEAT ONLY, POWER DEFROST, HEAT/COOL	HEAT/ COOL	Installateur/entretien	Réglé à l'usine. Doit être réglé par l'installateur lors de tout remplacement de la carte électronique.
	EXV	Disabled, Type 1, Type 2	Disabled	Installateur/entretien	Réglé à l'usine. Sélectionner « Désactivé » si l'appareil est équipé d'une vanne d'expansion (EXV) lors d'un remplacement de carte électronique. EXV Type 1: EXV à 500 incréments. EXV Type 2: EXV à 1600 incréments.
	Change EXV to	Oui/Non		Installateur/entretien	Cet écran demande si vous voulez vraiment modifier le paramètre EXV. Appuyer sur le bouton UP ou DOWN pour afficher OUI avant de modifier le type EXV.
	Brownout Detection On	On/Off	On	Installateur/entretien	Pour mettre l'appareil à l'arrêt lorsque le signal 24 Vca descend sous 18 Vca. Cette fonction peut être désactivée au besoin.
	Set Factory Defaults			Installateur/entretien	Appuyer et maintenir enfoncés les boutons UP / DOWN pendant plus de 3 secondes pour réinitialiser le module à ses paramètres d'usine. Une fois la réinitialisation effectuée, l'écran affiche « Defaults Set ».

Menu Installer/Service – Chauffage/Dégivrage

NOTE: assurez-vous de prendre bonne note de chacun de ces paramètres pour référence ultérieure, au cas où il faudrait réinitialiser le module. À la suite d'une réinitialisation, toutes ces valeurs doivent être entrées à nouveau.

Élément		Plage de sélection	Val. par défaut	Niveau d'accès	Description
Réglage de l'heure courante		12:00A–11:59P		Installateur	Réglage de l'heure – « A » ou « P » indique si l'heure définie est AM ou PM.
Remote Pool		Heat, Cool, Auto	Cool	Installateur	Pour contrôler un système de chauffage ou refroidissement auxiliaire.
Pump Periods		0–4		Installateur	Disponible uniquement si le mode de fonctionnement du menu Installateur est défini sur « 4 vitesses activé » ou « Variable activé ».
	Pump On Time 1	12:00A–11:59P		Installateur	Sélectionne l'heure de mise en marche de la pompe, période 1
	Pump Off Time 1	12:00A–11:59P		Installateur	Sélectionne l'heure d'arrêt de la pompe, période 1
	Pump Speed 1	1–4 si mode 4 vitesses activé 0%–100% si Variable activé		Installateur	Avec une pompe à 4 vitesses, correspond au signal de sortie envoyé au cours de cette période. Avec une pompe à vitesse variable, correspond au signal à impulsions envoyé au cours de cette période.
	Return Valve 1	Piscine/Spa	Piscine	Installateur	Sélectionne la position d'une vanne à 3 voies installée entre la thermopompe et la piscine/le spa au cours de cette période de pompage.
	Suction Valve 1	Piscine/Spa	Piscine	Installateur	Sélectionne la position d'une vanne à 3 voies installée entre la piscine/ le spa et la pompe au cours de cette période de pompage.
	Pump On Time 2	12:00A–11:59P		Installateur	Sélectionne l'heure de mise en marche de la pompe, période 2
	Pump Off Time 2	12:00A–11:59P		Installateur	Sélectionne l'heure d'arrêt de la pompe, période 2
	Pump Speed 2	1–4 si mode 4 vitesses activé 0%–100% si Variable activé		Installateur	Avec une pompe à 4 vitesses, correspond au signal de sortie envoyé au cours de cette période. Avec une pompe à vitesse variable, correspond au signal à impulsions envoyé au cours de cette période.
	Return Valve 2	Piscine/Spa	Piscine	Installateur	Sélectionne la position d'une vanne à 3 voies installée entre la thermopompe et la piscine/le spa au cours de cette période de pompage.
	Suction Valve 2	Piscine/Spa	Piscine	Installateur	Sélectionne la position d'une vanne à 3 voies installée entre la piscine/ le spa et la pompe au cours de cette période de pompage.
	Pump On Time 3	12:00A–11:59P		Installateur	Sélectionne l'heure de mise en marche de la pompe, période 3

Tableau G. Menu Installer/Service – Chauffage/Dégivrage
suite page suivante...

Élément		Plage de sélection	Val. par défaut	Niveau d'accès	Description
	Pump Off Time 3	12:00A-11:59P		Installateur	Sélectionne l'heure d'arrêt de la pompe, période 3
	Pump Speed 3	1-4 si mode 4 vitesses activé 0%-100% si Variable activé		Installateur	Avec une pompe à 4 vitesses, correspond au signal de sortie envoyé au cours de cette période. Avec une pompe à vitesse variable, correspond au signal à impulsions envoyé au cours de cette période.
	Return Valve 3	Piscine/Spa	Piscine	Installateur	Sélectionne la position d'une vanne à 3 voies installée entre la thermopompe et la piscine/le spa au cours de cette période de pompage.
	Suction Valve 3	Piscine/Spa	Piscine	Installateur	Sélectionne la position d'une vanne à 3 voies installée entre la piscine/ le spa et la pompe au cours de cette période de pompage.
	Pump On Time 4	12:00A-11:59P		Installateur	Sélectionne l'heure de mise en marche de la pompe, période 4
	Pump Off Time 4	12:00A-11:59P		Installateur	Sélectionne l'heure d'arrêt de la pompe, période 4
	Pump Speed 4	1-4 si mode 4 vitesses activé 0%-100% si Variable activé		Installateur	Avec une pompe à 4 vitesses, correspond au signal de sortie envoyé au cours de cette période. Avec une pompe à vitesse variable, correspond au signal à impulsions envoyé au cours de cette période.
	Return Valve 4	Piscine/Spa	Piscine	Installateur	Sélectionne la position d'une vanne à 3 voies installée entre la thermopompe et la piscine/le spa au cours de cette période de pompage.
	Suction Valve 4	Piscine/Spa	Piscine	Installateur	Sélectionne la position d'une vanne à 3 voies installée entre la piscine/ le spa et la pompe au cours de cette période de pompage.
Faults Last				Installateur/ entretien	Historique des 10 plus récentes erreurs de fonctionnement en commençant par la plus récente. Utiliser les boutons UP/DOWN pour passer de l'une à l'autre. S'il n'y a aucune erreur enregistrée, l'écran affiche « All Faults Clear ».
Clear Faults				Installateur/ entretien	Maintenir les boutons UP/DOWN enfoncés pendant plus de 3 secondes pour effacer l'historique des erreurs enregistrées. « Faults Cleared » s'affiche à l'écran.
Run Hours XXXX Cycles XXXX				Installateur/ entretien	Affiche le nombre d'heures et le nombre de cycles de fonctionnement du compresseur de la thermopompe.

suite page suivante...

Élément		Plage de sélection	Val. par défaut	Niveau d'accès	Description
Voltage Up/ Down for More				Installateur/ entretien	Appuyer simultanément sur les boutons UP/ DOWN pour accéder à des mesures de température additionnelles.
	Voltage	Affichage seulement – VCA		Installateur/ entretien	Affiche la tension 24 VCA mesurée par la carte électronique.
	Coil Temp	Affichage seulement – °F ou °C		Installateur/ entretien	Affiche la valeur du capteur de température du serpentin – utilisée pour le dégivrage.
	Amb Temp	Affichage seulement – °F ou °C		Installateur/ entretien	Affiche la valeur du capteur de température ambiante – utilisée pour le dégivrage et la mise à l'arrêt en raison de la température ambiante.
	Suct Temp	Affichage seulement – °F ou °C		Installateur/ entretien	Affiche la valeur du capteur de température du conduit d'aspiration – uniquement utilisée pour l'opération de la vanne d'expansion (EXV). Ne s'affiche pas si le mode EXV est: Désactivé.
	EXV Temp	Affichage seulement – °F ou °C		Installateur/ entretien	Affiche la valeur du capteur de température de la vanne d'expansion (EXV) – uniquement utilisée si le mode EXV est: Activé et le capteur de température EXV est utilisé. NOTE: uniquement utilisé que lorsque le capteur de pression n'est PAS utilisé.
	Sat Temp	Affichage seulement – °F ou °C		Installateur/ entretien	Affiche la conversion du capteur de pression en une température. S'affiche quand le mode EXV est: Activé.
	Water Temp	Affichage seulement – °F ou °C		Installateur/ Service	Affiche la valeur de la sonde de température de l'eau – température de fonctionnement.
Installer Menu		Yes ou No	No		Sélectionner OUI et appuyer sur la touche MENU pour accéder à d'autres sélections de programmation dans ce sous-menu Installateur/entretien. Sélectionner Non et le prochain enfoncement de la touche MENU revient à l'écran Set Current Time.
	Pump Operation	4-Speed Enabled, Variable Enabled, Disabled	Disabled	Installateur/ entretien	Pour contrôler la pompe par l'intermédiaire de la thermopompe; sélectionner le mode approprié: 4 vitesses activé (pour pompe à vitesses fixes) ou Variable activé (pour pompe à vitesse variable).
	Pump Heat			Installateur/ entretien	Pour configurer le signal numérique envoyé à la pompe lors du fonctionnement de la thermopompe.
	Valve Operation	Enabled, Disabled	Disabled	Installateur/ entretien	Pour le réglage d'une vanne à 3 voies. Désactivé par défaut. Lorsque ce paramètre est activé, le module de commande vérifie si la vanne de refoulement et d'aspiration doivent être à la position Piscine ou Spa lors d'une période de pompage.
	Return Valve Position 1 =	Piscine/Spa	Piscine		
	Suction Valve Position 1 =	Piscine/Spa	Piscine		
	AUX Mode	AUX OFF, AUX OUTPUT, REMOTE OUT, EXT HEAT	AUX OFF	Installateur/ entretien	Voir la description du mode auxiliaire à la p. 30.

suite page suivante...

Élément		Plage de sélection	Val. par défaut	Niveau d'accès	Description
	AUX1 On Time	12:00A-11:59P		Installateur/entretien	Sélectionne l'heure de mise en marche du contact AUX1.
	AUX1 Off Time	12:00A-11:59P		Installateur/entretien	Sélectionne l'heure d'arrêt du contact AUX1.
	AUX2 On Time	12:00A-11:59P		Installateur/entretien	Sélectionne l'heure de mise en marche du contact AUX2.
	AUX2 Off Time	12:00A-11:59P		Installateur/entretien	Sélectionne l'heure d'arrêt du contact AUX2.
	Cooling Deadband	2°F-10°F (1°C-5,5°C)	6°F (3,3°C)	Installateur/entretien	En mode Pool Auto, la température de lancement du mode refroidissement est: Température de chauffage + Bande morte de refroidissement.
	Defrost Temp	20°F-35°F (-6,5°C-1,5°C)	35°F (1,5°C)	Installateur/entretien	Température mesurée au serpentín en mode Dégivrage.
	Def Terminate	40°F-60°F (4°C-15,5°C)	50°F (10°C)	Installateur/entretien	Température du serpentín qui met fin au cycle de dégivrage. Le fonctionnement de l'appareil est soumis à d'autres algorithmes de dégivrage.
	Outside Lockout	Off, 30°F-50°F (-1°C-10°C)	Off	Installateur/entretien	Pour mettre l'appareil à l'arrêt lorsque la température extérieure atteint une valeur prédéterminée. Le réglage "Off" permet le fonctionnement à toute température ambiante.
	Set Model Type	HEAT ONLY, POWER DEFROST, HEAT/COOL	HEAT/ COOL	Installateur/entretien	Réglé à l'usine. Doit être réglé par l'installateur lors de tout remplacement de la carte électronique.
	EXV	Disabled, Type 1, Type 2	Disabled	Installateur/entretien	Réglé à l'usine. Sélectionner « Désactivé » si l'appareil est équipé d'une vanne d'expansion (EXV) lors d'un remplacement de carte électronique. EXV Type 1: EXV à 500 incréments. EXV Type 2: EXV à 1600 incréments.
	Change EXV to	Oui/Non		Installateur/entretien	Cet écran demande si vous voulez vraiment modifier le paramètre EXV. Appuyer sur le bouton UP ou DOWN pour afficher OUI avant de modifier le type EXV.
	Brownout Detection On	On/Off	On	Installateur/entretien	Pour mettre l'appareil à l'arrêt lorsque le signal 24 Vca descend sous 18 Vca. Cette fonction peut être désactivée au besoin.
	Set Factory Defaults			Installateur/entretien	Appuyer et maintenir enfoncés les boutons UP / DOWN pendant plus de 3 secondes pour réinitialiser le module à ses paramètres d'usine. Une fois la réinitialisation effectuée, l'écran affiche « Defaults Set ».

11. PARAMÈTRES DU MODULE

Pour accéder à ce paramètre de commande, il suffit de maintenir enfoncée la touche MENU pendant au moins 5 secondes. La valeur du paramètre affiché est enregistrée dans la mémoire non volatile lorsque l'utilisateur appuie sur la touche MENU, qui sert aussi à passer au paramètre suivant. Lorsqu'aucune touche n'est enfoncée pendant 60 secondes, l'affichage revient à l'écran du mode fonctionnement actuel. Il est possible de quitter le menu utilisateur en maintenant enfoncée la touche MENU pendant au moins 5 secondes.

NOTE: reportez-vous à Messages d'état de fonctionnement à la page 37 pour connaître les divers Messages d'état de fonctionnement qui peuvent s'afficher en fonctionnement normal.

Réglage de l'heure courante

Pour le réglage de l'heure actuelle. L'heure est suivie par la lettre "A" ou "P" pour AM ou PM, respectivement. L'horloge fonctionne sur un cycle de 24 heures, mais ne possède PAS de cycle sur 7 jours. L'horloge sert à activer la thermopompe, AUX1 et AUX2 selon l'horaire établi.

Sélection °C / °F

Pour sélectionner les unités d'affichage de toutes les températures. Fahrenheit est la valeur par défaut. Pour passer d'une unité à l'autre, il suffit d'appuyer sur la touche UP ou DOWN et d'appuyer sur MENU pour enregistrer la sélection.

Temp. max. du spa

Pour définir la température de consigne maximale du spa qu'il est possible de sélectionner avec le module de commande. Plage de valeurs disponibles: 65°F à 104°F (18°C à 40°C). La valeur par défaut est 104°F (40°C).

Temp. max. piscine

Pour définir la température de consigne maximale de la piscine qu'il est possible de sélectionner avec le module de commande. Plage de valeurs disponibles: 65°F à 95°F (18°C à 35°C). La valeur par défaut est 95°F (35°C).

Horaire de fonctionnement

Si dans le menu installateur, page Pump Operation, le paramètre "4 vitesses" or "Vitesse variable" est activé, cela permet de définir un horaire de fonctionnement. La première ligne de l'écran de configuration de l'horaire de fonctionnement indique "Pump Periods". Le numéro de la période de fonctionnement (0 - 4) est indiqué au centre de la 2e ligne. Appuyez sur les touches UP or DOWN pour augmenter ou réduire le nombre de périodes de fonctionnement. La valeur par défaut est 1. Si le nombre de périodes de fonctionnement est supérieur à zéro (appuyez sur MENU pour sauvegarder le nombre), vous aurez à définir l'heure de mise en marche et l'heure d'arrêt pour chaque période.

12. RÉGULATION DE LA TEMPÉRATURE

Le module de commande vise à atteindre la température de consigne sélectionnée dans le menu utilisateur. Un appel de chaleur se déclenche lorsque la température de l'eau est inférieure (en mode chauffage) ou supérieure (en mode refroidissement) de 0,5°F (0,3°C) comparativement à la température de consigne.

13. FONCTIONS ADDITIONNELLES

Commande de la pompe

Le module de commande peut contrôler le fonctionnement de la pompe du système. Il est équipé d'une sortie pour le pompage à vitesse constante (0,75 A @ 24 Vca max.) et d'une autre sortie pour le pompage à vitesse variable (10 mA @12 Vcc). Le mode à vitesse variable comprend 4 différentes vitesses de pompage. La sortie speed1 peut être asservie au signal du débitmètre, afin de réguler la vitesse de fonctionnement de la pompe. Le module de commande active la pompe à la vitesse sélectionnée pour chacune des périodes de fonctionnement. Si un appel de chaleur survient pendant une période de fonctionnement programmée, la pompe passe à la vitesse configurée speed1, en ignorant la vitesse programmée pour cette période. Lorsque la pompe fonctionne pendant une période de fonctionnement programmée et qu'il n'y a pas d'appel de chaleur, le module de commande configure la vanne à 3-voies selon la configuration programmée pour cette période de fonctionnement.

Mise à l'arrêt, basse temp.

Le module de commande possède une fonction de verrouillage du fonctionnement en cas de détection d'une température ambiante inférieure à la valeur programmée. Cette fonctionnalité est accessible dans le menu Installateur/Entretien, qui est décrit dans les tableaux des p. **Tableau E** à p. **Tableau G**. La valeur par défaut est « OFF », mais la température de verrouillage peut être réglée à une valeur variant entre 30°F et 50°F (-1°C et 10°C). Il suffit d'activer cette fonction pour empêcher le fonctionnement de la thermopompe lorsque la température ambiante descend sous cette valeur. NOTE: L'activation de cette fonction ne pas fin à un cycle de fonctionnement en cours, elle prévient uniquement le lancement d'un nouveau cycle.

Si la fonction de verrouillage en cas de faible température ambiante est activée et que le circuit du capteur de température ambiante est ouvert, l'écran affiche « Air Temp -46°F » (-43°C) et la commande enregistrera une erreur « Outside lockout ». Si le circuit du capteur de température ambiante est en court-circuit, l'écran affiche « Air Temp 282°F » (139°C) et le module de commande met immédiatement le compresseur à l'arrêt, peu importe si la fonction de verrouillage en case de faible température

ambiante est activée.

Protection par code d'accès

L'accès au module de commande peut être protégé par code d'accès. Pour accéder à cette fonction, il suffit d'appuyer sur les touches MENU et DOWN pendant 5 secondes. Le système vous demandera d'entrer un code à 3 chiffres. Le curseur clignote pour indiquer le chiffre qui est en cours de sélection. Appuyez sur les touches UP ou DOWN pour augmenter ou réduire la valeur du chiffre, puis appuyez sur la touche MENU pour confirmer la valeur. Le curseur se déplace alors vers le chiffre suivant. Une fois le dernier chiffre sélectionné et après avoir appuyé sur MENU, l'afficheur vous demande de confirmer le code de verrouillage établi. Appuyez sur les touches UP ou DOWN jusqu'à ce que le mot "YES" s'affiche, puis appuyez sur le bouton MENU pour confirmer le code d'accès.

NOTE: prenez bonne note du code d'accès pour utilisation ultérieure.

L'enfoncement de toute touche pendant que le module est protégé par code d'accès déclenche l'affichage de l'écran d'accès. L'écran affiche "Control Lockout – Enter PIN 000". Si un mauvais code d'accès est entré, l'écran affiche "Invalid PIN". Un appui sur une autre touche vous ramène à l'écran d'accès.

En cas d'entrée du bon code d'accès, l'écran affiche « Lockout Cleared » suivi du mode de fonctionnement présentement sélectionné.

Procédure de configuration pour un modèle sans minuterie de spa (TIMED SPA), uniquement recommandé pour les modèles HEAT ONLY:

1. Appuyez sur la touche MENU jusqu'à ce que SPA s'affiche.
2. Appuyez sur la touche DOWN jusqu'à ce que la température de consigne soit inférieure à 65°F (18°C).
3. Appuyez sur la touche MENU pour sélectionner le mode suivant et réglez la température de consigne souhaitée; répétez pour régler la température des autres modes, au besoin.
4. Programmez le code d'accès comme indiqué ci-dessus.

Sorties auxiliaires

Le module de commande peut contrôler deux sorties auxiliaires pour une variété d'accessoires externes (valeur nominale: 0,75 A à 24 Vca max.). Il est possible de sélectionner l'un de 4 modes de sortie auxiliaire dans le menu Installateur/Entretien. Voici les 4 options: AUX OFF (par défaut), AUX OUTPUT, REMOTE OUT et EXT HEAT. Il est aussi possible définir des horaires d'activation et de désactivation pour les 2 sorties auxiliaires, depuis le menu Installateur/Entretien.

1. AUX OUTPUT – Les sorties AUX1 et AUX2 sont activées et désactivées selon l'horaire défini dans le module, lors de l'installation de l'accessoire. Il est possible de définir des horaires distincts pour chaque sortie auxiliaire. Si l'heure de désactivation est inférieure à l'heure d'activation, cela signifie que la sortie sera active pendant la nuit. Si l'heure du jour est inconnue en raison de sa non programmation, la fonction d'activation/désactivation des sorties selon

un horaire n'est pas utilisée.

2. REMOTE OUT – Lorsque le paramètre REMOTE OUT est sélectionné, la sortie AUX1 peut contrôler un autre chauffe-piscine (solaire, électrique, au gaz). Cette fonction est très utile dans une installation combinée THERMOPOMPE / GAZ, dans laquelle l'appareil au gaz procure une puissance d'appoint lorsque la température extérieure est trop fraîche pour votre seule thermopompe chauffe-piscine ou spa, où dans les situations où la durée de chauffage serait trop longue. Dans une installation combinée thermopompe / gaz, comme la thermopompe est plus efficace, c'est le module de commande de cette dernière qui devrait surveiller la température de la piscine ou du spa et avoir la priorité lors d'un appel de chaleur. En mode REMOTE OUT, l'unité de chauffage auxiliaire au gaz ('Ext. Heater') peut uniquement se mettre en marche lorsque la thermopompe principale est elle-même en marche.

Pour utiliser cette fonction, sélectionnez d'abord la température de consigne de la thermopompe, puis configurez la température de consigne du chauffe-piscine au gaz, à une valeur inférieure à celle de la thermopompe. Par exemple, si selon les calculs de l'installateur, ou selon son expérience, il détermine que pour votre piscine ou spa il faudra faire appel à un appareil de chauffage d'appoint pour atteindre une température 70°F (21°C), et que la thermopompe peut par la suite aisément et rapidement atteindre la température de consigne de 80°F (27°C), programmez les appareils en conséquence.

La sortie AUX1 est mise sous tension 10 secondes après la mise en marche du compresseur de la thermopompe et est mise hors tension lors de l'arrêt du compresseur de la thermopompe. Dans cette configuration, la sortie AUX2 est toujours hors-tension.

REMOTE OUT (plusieurs pompes à chaleur) – La thermopompe principale peut commander une ou plusieurs thermopompes secondaires (un seul point de consigne). La sortie AUX1 est mise sous tension 10 secondes après la mise en marche du compresseur de la thermopompe primaire et est mise hors tension lors de l'arrêt du compresseur de la thermopompe primaire. Dans cette configuration, la sortie AUX2 est toujours hors-tension.

3. EXT HEAT – Lorsque le paramètre EXT HEAT est sélectionné, la sortie AUX1 est mise sous tension simultanément avec la mise en marche de la thermopompe principale. Cette fonction est très utile dans une installation combinée SOLAIRE / THERMOPOMPE, dans laquelle la thermopompe procure une puissance d'appoint lorsque la température extérieure est trop fraîche pour votre seul chauffe-piscine ou spa solaire, où dans les situations où la durée de chauffage serait trop longue. Dans cette configuration, la sortie AUX2 est toujours hors-tension.

Un appel de chaleur secondaire se déclenche lorsque la température de l'eau est inférieure d'au moins 0,5°F

(0,3°C) à la température de consigne pendant 2 heures, ou lorsque la température de l'eau est inférieure d'au moins 1,5°F (0,8°C) à la température de consigne, sans limite de temps.

Commande à distance

Pour accéder au mode REMOTE (commande à distance), il suffit de simultanément appuyer sur les touches UP et DOWN pendant 3 secondes. Lors de la désélection du mode REMOTE, le système est mis à l'arrêt (mode OFF). Lorsque le mode REMOTE est actif, l'enfoncement simultané des touches UP, DOWN et MENU entraîne l'affichage suivant: "Exit Remote Mode to Adjust Temp". Cela ne modifie pas les températures de consigne. Appuyez et maintenez enfoncées les touches UP et DOWN pendant 3 secondes pour sortir du mode REMOTE.

Sur les modèles à chauffage/refroidissement, la première ligne de l'écran indique « Remote Pool » tandis que la deuxième ligne affiche « Cool », « Heat » ou « Auto ». Le réglage par défaut est "Cool". Pour programmer le module de commande, il suffit de sélectionner la valeur voulue et d'appuyer sur la touche MENU pour passer à l'écran suivant. Les écrans de configuration de cette fonction se trouvent dans la section Installateur/Entretien.

Mode chauffe-piscine

Le mode chauffe-piscine commande automatiquement la thermopompe pour chauffer l'eau jusqu'à la température de consigne définie dans le menu utilisateur.

Mode refroidissement piscine (modèles HEAT/COOL)

Le mode refroidissement commande automatiquement la thermopompe pour refroidir l'eau jusqu'à la température de consigne définie dans le menu utilisateur.

Mode automatique (modèles HEAT/COOL)

Cette fonction passe automatiquement du mode chauffage à refroidissement et inversement, dans une plage variant entre la température de consigne de chauffage, plus la bande morte de refroidissement (cette valeur pouvant varier entre 2-10°F (1,1 à 5,5°C, la valeur par défaut étant 6°F (3,3°C)), et qui est configurable dans le menu Installateur/entretien. Exemple: température de consigne du chauffage de la piscine est de 80°F (27°C) et la bande morte de refroidissement est de 6°F – la thermopompe chauffera la piscine ou le spa quand la température descendra sous les 80°C (27°C) et passera automatiquement en mode refroidissement lorsque la température atteindra 86°F (30°C).

Mode minuterie de spa ("TIMED SPA")

Ce mode de fonctionnement réchauffe l'eau du spa à sa température de consigne pendant la période de temps sélectionnée pour ce mode. NOTE: il n'est pas possible de modifier la température de consigne du spa lorsque ce mode est actif. Les réglages de ce mode ont priorité sur tous les autres paramètres programmés pendant toute la durée de la minuterie TIMED SPA.

AVERTISSEMENT: si le chauffage est régulé par un contrôleur externe, il peut s'avérer nécessaire de manoeuvrer manuellement la vanne à 3 voies lors de la sélection du mode minuterie de spa (TIMED SPA). Le défaut de ne pas correctement configurer la vanne à 3 voies peut entraîner une surchauffe de l'eau de la piscine ou d'autres résultats indésirables.

1. Pour activer la fonction TIMED SPA, appuyez sur la touche MENU jusqu'à ce que « TIMED SPA » s'affiche sur la ligne supérieure de l'écran.
2. Appuyez sur la touche UP ou DOWN pour définir la durée de chauffage souhaitée (maximum 6 heures par incréments de 15 minutes).
3. Le décompte de la minuterie démarrera à la sélection de cette fonction et la thermopompe chauffera l'eau du spa à la température de consigne définie dans le menu utilisateur.

Une fois la minuterie écoulée, le module de commande sélectionne le mode de fonctionnement qui était actif avant la sélection du mode TIMED SPA.

Historique d'erreurs

Le menu Installateur/Entretien présente l'historique des plus récents codes d'erreur. On y retrouve les 10 plus récents codes d'erreur (le plus récent en premier). Lorsqu'il survient un onzième code d'erreur, le plus ancien est supprimé et le plus récent est mis en tête de liste. NOTE: les codes d'erreur ne sont pas horodatés. L'historique présente uniquement la liste des codes d'erreurs, sans autre information.

Lorsque le message "Faults Last" s'affiche à l'écran, il suffit d'appuyer sur le bouton UP pour afficher l'erreur précédente. Continuez à appuyer pour afficher les plus anciens codes d'erreur. L'ordre des erreurs est identifié ainsi: Faults Last, Faults 2, Faults 3, etc.

S'il survient un nouveau code d'erreur identique au plus récent, il n'est pas ajouté à l'historique.

Heures et cycles de fonctionnement

Le module de commande tient le compte du nombre d'heures et de cycles de fonctionnement. Cette information est accessible dans le menu Installateur/Entretien et les valeurs ne sont pas réinitialisables. Le nombre d'heures de fonctionnement "Run Hours" correspond à la durée d'activation du compresseur. Cette durée est ajoutée en mémoire à la fin de chaque cycle, une fois satisfaite la demande en chaleur. Le nombre d'heures et de minutes est aussi compilé, bien que seules les heures s'affichent. Le nombre de cycles correspond au nombre d'activations du compresseur.

Délai de démarrage du compresseur

Le circuit de commande du compresseur est assujéti à un délai de démarrage afin d'éviter son fonctionnement en cycles courts. Ainsi, le compresseur ne peut se mettre en marche à moins qu'il n'ait été à l'arrêt depuis au moins 3 minutes. Lorsque cette situation se produit, l'écran affiche « Comp Start Delay » jusqu'à l'atteinte du délai, à la suite duquel le compresseur redémarre.

Durée minimale de fonctionnement

Afin d'assurer le bon fonctionnement du compresseur et allonger sa durée de vie, le circuit de commande du compresseur est assujéti à une durée minimale de fonctionnement de 3 minutes. Si la température de consigne est atteinte en moins de 3 minutes, le compresseur continuera à fonctionner jusqu'à l'atteinte des 3 minutes, sauf si (1) le limiteur haute pression se déclenche, (2) le détecteur de pression d'eau s'ouvre (absence de pression), (3) le limiteur haute température se déclenche, ou (4) l'utilisateur sélectionne le mode « OFF ».

Dégivrage

Le système de commande peut invoquer divers algorithmes de dégivrage en fonction du modèle (HEAT ONLY, POWER DEFROST ou HEAT/COOL).

Sur les modèles HEAT ONLY, le module de commande lance un cycle de dégivrage lorsque la température du serpentín atteint la température de dégivrage "Defrost Temp" définie dans le sous-menu Installateur/Entretien (valeur par défaut: 24°F (-4,4°C)). Le compresseur s'arrêtera, mais le ventilateur continuera de fonctionner pour pousser de l'air plus chaud à travers le serpentín et le dégivrer. Lorsque le module de commande détecte que la température du serpentín a atteint la valeur « Defrost Temp » + « Defrost Deadband » (valeur par défaut: 10°F (5,5°C)) ou après 15 minutes, le module met fin au cycle de dégivrage et retourne au mode de chauffage normal, en fonction de la température de l'eau et de la température de consigne.

Sur les modèles POWER DEFROST, le module de commande lance un cycle de dégivrage lorsque la température du serpentín atteint la température de dégivrage "Defrost Temp" définie dans le sous-menu Installateur/Entretien (valeur par défaut: 35°F (-1,6°C)). Le compresseur continuera de fonctionner (ainsi que le ventilateur), mais une électrovanne s'ouvrira pour permettre à une partie du gaz frigorigène chaud de contourner l'échangeur de chaleur et d'être redirigé vers le serpentín, afin de le dégivrer. Lorsque le module de commande détecte que la température du serpentín a atteint la valeur "Def Terminate" définie dans le sous-menu Installateur/Entretien (valeur par défaut: 50°F (10°C)), l'électrovanne de contournement se referme et le module relance le mode de chauffage normal, en fonction de la température de l'eau et de la température de consigne.

Sur les modèles HEAT/COOL, le module de commande lance un cycle de dégivrage selon un algorithme programmé qui tient compte de la température ambiante actuelle et d'une valeur de base, ainsi que de la température actuelle du serpentín et d'une valeur de base. Cet algorithme est invoqué lorsque la température du serpentín descend sous la Température de dégivrage « Defrost Temp » définie dans le sous-menu Installateur/Entretien. La valeur par défaut est de 35°F (1,6°C). Le module de commande arrête le ventilateur et active la vanne d'inversion afin que le gaz frigorigène chaud soit

dirigé vers le serpentín, afin de le décongeler. Lorsque le module de commande détecte que la température du serpentín a atteint la valeur "Def Terminate" définie dans le sous-menu Installateur/Entretien, la vanne d'inversion se désactive et le module relance le mode de chauffage normal, en fonction de la température de l'eau et de la température de consigne.

NOTE: sur les modèles à dégivrage (Power Defrost) et à chauffage/ refroidissement (Heat/Cool), le tout premier cycle de dégivrage survenant après la mise sous tension initiale de l'appareil peut causer un substantiel gel du serpentín. En effet, à la suite de la mise sous tension initiale, le système mesure une variété de paramètres d'installation afin d'assurer l'efficacité du dégivrage en situation réelle.

Commande de vanne à 3 voies

NOTE: la configuration d'une vanne à 3 voies s'effectue dans le sous-menu Installateur/Entretien, que le module de commande contrôle le fonctionnement de la pompe ou non.

Le module de commande contrôle le fonctionnement de la vanne à 3 voies du système. Le module de commande actionne la vanne à 3 voies selon le résultat souhaité lors d'un appel de chaleur du spa ou de la piscine, ou lors d'une demande de refroidissement de la piscine, mais uniquement lorsque le fonctionnement de la pompe est sous son contrôle direct. Les réglages de la vanne à 3 voies ont priorité sur ceux liés à tout horaire de fonctionnement programmé. Lorsque le module de commande contrôle le fonctionnement de la pompe, celle-ci s'arrête 30 secondes avant la manoeuvre de la vanne à 3 voies, afin qu'elle s'effectue à pression réduite. Lors de cette période, l'écran affiche « Valve Chng Delay ».

La vanne à 3 voies se raccorde sur le terrain aux bornes #38-40 et #41-43 du bornier de la boîte de jonction de l'appareil. La configuration d'une vanne à 3 voies s'effectue dans le sous-menu Installateur/Entretien.

Si le détecteur de pression d'eau (ou le débitmètre) est fermé au moment de la manoeuvre d'une vanne à 3 voies (pression ou débit détectés), l'écran affiche « WPS Closed » et met la pompe et le compresseur à l'arrêt jusqu'à leur ouverture (pression et débit nuls). Si le détecteur de pression et le débitmètre sont ouverts (pression et débit nuls), la commande actionne la vanne à 3 voies et le système reprend par la suite son fonctionnement normal. S'il n'y a aucun appel de chaleur et que la pompe est commandée selon un horaire programmé, le module de commande positionne la vanne à 3 voies selon le mode sélectionné pour la période courante de l'horaire programmé.

Lorsque la pompe est manuellement mise à l'arrêt, qu'il n'y a pas d'appel de chaleur ou qu'elle est inactive selon l'horaire programmé, la vanne à 3 voies reste configurée comme lors de sa dernière manoeuvre. La vanne conserve sa configuration jusqu'à la réception du prochain signal de manoeuvre.

Les contacts de manoeuvre ont des valeurs nominales de 0,75 A et de 24 Vca.

⚠ AVERTISSEMENT: si le chauffage est régulé par un contrôleur externe, il peut s'avérer nécessaire de manoeuvrer manuellement la vanne à 3 voies lors de la sélection du mode minuterie de spa (TIMED SPA). Le défaut de ne pas correctement configurer la vanne à 3 voies peut entraîner une surchauffe de l'eau de la piscine ou d'autres résultats indésirables.

Batterie de secours

Le module de commande est alimenté par une batterie afin de préserver les paramètres configurés en cas de panne de courant. Le logement de la batterie se trouve à l'arrière, dans le coin supérieur droit du module. Remplacez-la au besoin par une batterie BR2032 de 3V.

Coupe-circuit thermique

Le système est aussi contrôlé par un coupe-circuit thermique dont le déclenchement entraîne l'arrêt du compresseur lorsque les sondes détectent une température égale ou supérieure à 108°F (41°C). L'écran affiche alors « Hi Water Temp ». Le compresseur restera ainsi verrouillé jusqu'à ce que les deux sondes détectent une température inférieure à 103°F (40°C) et que l'utilisateur appuie sur le bouton UP. Le coupe-circuit thermique reste actif dans tous les modes de fonctionnement.

Mise à l'arrêt, surpression

Lors d'un éventuel déclenchement du limiteur haute pression, la commande désactive le compresseur, mais laisse le ventilateur fonctionner pendant 15 minutes et l'écran affiche « Hi Press Trip ». Si le limiteur haute pression se déclenche 7 fois au cours d'un seul cycle, l'écran affiche « Hi Press Lockout » et l'appareil restera verrouillé pendant 4 heures. L'appareil se réinitialise automatiquement après 4 heures, ou le verrouillage peut être manuellement réinitialisé en appuyant sur le bouton MENU ou en coupant brièvement l'alimentation électrique du système. Le limiteur haute pression doit se déclencher pendant au moins 3 secondes pour être considéré comme un déclenchement.

Mise à l'arrêt, sous-pression

Tout signal généré par le pressostat basse pression est ignoré au cours des 30 secondes suivant l'activation du compresseur. Une fois ce délai écoulé, si le pressostat basse pression se déclenche pendant au moins 3 secondes, le compresseur s'éteint et l'écran affiche « Lo Press Trip ». Si le pressostat basse pression se déclenche 6 fois au cours d'un seul cycle, l'écran affiche « Lo Press Lockout » et l'appareil restera verrouillé pendant 4 heures. L'appareil se réinitialise automatiquement après 4 heures, ou le verrouillage peut être manuellement réinitialisé en coupant brièvement l'alimentation électrique du système. Le pressostat basse pression doit se déclencher pendant au moins 3 secondes pour être considéré comme un déclenchement.

Détecteur de pression d'eau

Le module de commande surveille en continu le signal du détecteur de pression d'eau (et du débitmètre, si ainsi équipé). Si la pompe a fonctionné pendant plus de 3 secondes, qu'il

y a un appel de mise en marche du compresseur, mais que le détecteur de pression d'eau est ouvert (signal d'absence de pression), la commande empêche le compresseur de se mettre en marche et l'écran affiche « Water PS Open ». De même, l'état du détecteur de pression d'eau est vérifié AVANT la manoeuvre de la vanne à 3 voies, afin de s'assurer qu'il soit ouvert (absence de pression). Cela permet de confirmer que la pompe est bel et bien à l'arrêt avant toute manoeuvre de la vanne à trois voies.

Séquence des opérations...

1. Lors de la toute première mise sous tension, tous les segments de l'écran ACL s'allument brièvement.
2. L'écran ACL affiche pendant 2 secondes la version du logiciel et le modèle et retourne au menu précédemment sélectionné par l'utilisateur lors de sa mise hors-tension.
3. Les points de consigne sont sauvegardés dans une mémoire non volatile. Si le module de commande détecte une corruption des valeurs en mémoire, l'écran ACL affiche « EEPROM Fault » et le système ne peut être remis en marche tant que les points de consigne n'auront pas été manuellement redéfinis.
4. Si certains paramètres ne sont pas définis (ex.: lors du remplacement du module de commande), un message invitant à sélectionner un modèle s'affiche et le système ne peut être remis en marche tant qu'un modèle n'aura pas été sélectionné.
5. Lors de l'installation initiale, plusieurs paramètres doivent être programmés, en fonction de la configuration d'installation et des accessoires qui sont commandés par le module de commande. Par exemple: (1) Vanne à 3 voies (Oui ou Non), (2) Commande de la pompe (Oui ou Non; type de commande – 4 vitesses ou vitesse variable), et (3) Commande auxiliaire (Oui ou Non et ensuite quel type – chauffage externe, sortie auxiliaire ou sortie de commande à distance).
6. Une fois ces choix effectués, il faut aussi définir l'horaire de fonctionnement de la pompe, la vitesse de fonctionnement de la pompe lors de chaque période et la position des vannes d'aspiration et de refoulement lors de chaque période.
7. Il est ainsi possible de choisir des paramètres de fonctionnement très simples ou très pointus, en fonction des besoins d'utilisation.
8. Une fois tous les paramètres programmés, le module permet la mise en marche du système.
9. L'utilisateur peut sélectionner l'un de plusieurs modes de fonctionnement, en fonction du type d'appareil. Pour sélectionner un mode ou l'autre, il suffit d'appuyer sur le bouton MENU pour passer d'un mode à l'autre. Chaque enfoncement de la touche MENU permet de sélectionner le mode suivant. À noter: l'enfoncement continu de la touche MENU ne permet pas d'automatiquement passer d'un mode à

l'autre. En fait, un enfoncement continu de la touche MENU (pendant plus de 3 secondes) active le menu Utilisateur (USER).

10. Sélection du mode (MODE)
 - Pour les modèles HEAT ONLY et POWER DEFROST, les modes de fonctionnement sont: OFF – POOL HEAT – SPA – TIMED SPA.
 - Pour les modèles HEAT/COOL, les modes de fonctionnement sont: OFF – POOL COOL – POOL HEAT – POOL AUTO – SPA – TIMED SPA.
11. Pour accéder au mode REMOTE (commande à distance), il suffit de simultanément appuyer sur les touches UP et DOWN pendant 3 secondes. Lors de la désélection du mode REMOTE, le système est mis à l'arrêt (mode OFF).
12. Lorsque le mode REMOTE est actif, l'enfoncement simultané des touches UP, DOWN et MENU entraîne l'affichage du texte suivant à l'écran: "Exit Remote Mode to Adjust Temp". Cela ne modifie pas les températures de consigne.
13. Appuyez et maintenez enfoncées les touches UP et DOWN pendant 3 secondes pour sortir du mode REMOTE.
14. L'appareil continue à fonctionner jusqu'à ce que la température de l'eau dépasse de 0,5°F (0,3°C) la température de consigne (en dessous pour le mode refroidissement), jusqu'à l'atteinte d'une condition de dégivrage ou jusqu'à sa mise à l'arrêt manuelle.
15. L'appareil reste en attente jusqu'au prochain appel de chaleur ou de refroidissement.

Système de commande

Le fonctionnement de votre thermopompe chauffe-piscine ou spa est contrôlé par divers dispositifs numériques, afin d'assurer sa sécurité et la fiabilité.

Régulation numérique de la température de l'eau: la température de l'eau de la piscine ou du spa est régulée par un système de contrôle numérique. Rappel: l'appareil est compatible avec la plupart des systèmes de commande à 2 ou 3 fils.

14. INSTRUCTIONS, COMMANDE NUMÉRIQUE

La carte électronique peut mémoriser les deux réglages de température suivants:

- Piscine, température maximale de 95°F (35°C)
- Spa, température maximale de 104°F (40°C)

Hausser ou réduire la température de consigne (Mode piscine ou spa)

Dans les modes Piscine ou Spa (via MENU), il suffit d'appuyer sur les boutons UP ou DOWN pour augmenter ou abaisser la température de consigne. Maintenez le bouton UP ou DOWN enfoncé pour modifier le point de consigne de 1 degré à la fois; un enfoncement continu de l'un ou l'autre des boutons accélère le rythme de modification.

Sélection des unités °C ou °F

Appuyez sur le bouton MENU pendant au moins 3 secondes pour accéder au menu Utilisateur (USER). Une fois dans le menu Utilisateur, passez à la 2e entrée et, à l'aide des boutons UP ou DOWN, sélectionnez l'unité de votre choix, soit °C ou °F. Une fois votre sélection effectuée, maintenez enfoncé le bouton MENU pendant au moins 3 secondes pour revenir au mode de fonctionnement précédent, ou ne faites rien pendant 180 secondes pour revenir au mode de fonctionnement précédent.

15. MODE CHAUFFAGE/ REFROIDISSEMENT

Certains modèles peuvent chauffer et refroidir l'eau de la piscine.

NOTE: pour refroidir une piscine ou un spa la nuit, retirez la toile solaire / le couvercle, mettez en marche toute éventuelle fontaine ou tout jet d'eau, et faites fonctionner votre pompe.

Après un fonctionnement de quelques minutes en mode chauffage, la température de l'air déchargé par l'appareil devrait être de 8 à 10°F (4,4 à 5,5°C) inférieure à celle de l'air entrant.

Après un fonctionnement de quelques minutes en mode refroidissement la température de l'air déchargé par l'appareil devrait être de 8 à 10°F (4,4 à 5,5°C) supérieure à celle de l'air entrant.

NOTE: le chauffage est plus efficace le jour et le refroidissement est plus efficace la nuit.

16. MISE EN SERVICE INITIALE

1. Assurez-vous que le module de commande affiche une température, que la pompe de piscine fonctionne et que l'eau circule correctement.
2. Assurez-vous que la température de consigne est supérieure de quelques degrés de celle de la température actuelle de l'eau (au mode chauffage).
3. Laissez la thermopompe fonctionner pendant quelques minutes, afin que se stabilisent la pression et la température des divers composants.
4. Assurez-vous que la température de l'air déchargé par l'appareil est de 8 à 10°F (4,4 à 5,5°C) inférieure à celle de l'air entrant. Dans le cas contraire, voir "Troubleshooting".

17. MISE EN MARCHÉ SAISONNIÈRE, VÉRIFICATION ANNUELLE

NOTE: Au début de la saison de chauffage (ou lorsqu'il faut monter la température de l'eau de plusieurs degrés), le système (pompe, filtre et thermopompe) doit fonctionner en continu pendant plusieurs jours. Pendant les mois d'été, il suffit de quelques heures de chauffage par jour ou même parfois, pas du tout.

1. Retirez les feuilles, les aiguilles de pin, etc., qui pourraient encombrer le serpentin de l'évaporateur. Nettoyez délicatement le serpentin à l'aide d'une solution de savon doux pour la maison.
2. Retirez les panneaux latéraux en enlevant l'unique vis qui les retient, sur leur partie supérieure. Soulevez et retirez leur partie inférieure. Ces panneaux se retirent facilement et donnent accès au serpentin pour le nettoyage.
3. Rincez délicatement le serpentin avec de l'eau; NE PAS utiliser un jet haute pression.
4. Réinstallez les panneaux latéraux et fixez l'unique vis qui les retient en place, sur leur partie supérieure.
5. Effectuez un lavage à contre-courant (backwash) ou nettoyez le filtre de la piscine. Si nécessaire, nettoyez le panier de l'écumoire et la passoire de pompe.
6. Réglez les vannes de façon à correctement faire circuler l'eau à travers la thermopompe.

NOTE: Si la pompe de la piscine et la thermopompe s'éteignent avant que la température de l'eau atteigne sa valeur de consigne, vous devez allonger leur période de fonctionnement. Pour ce faire, allongez l'horaire de fonctionnement, ou mettez manuellement le système en marche, en contournant la minuterie. La thermopompe fonctionne plus efficacement en mode chauffage lorsque la température de l'air ambiant est plus élevée. Par conséquent, il est suggéré de la faire fonctionner le jour.

18. MISE HORS SERVICE ANNUELLE

Si vous ne prévoyez pas utiliser la thermopompe pendant toute une saison, veuillez la protéger comme suit:

1. Ouvrez le disjoncteur ou le contacteur du circuit qui alimente l'appareil.
2. Laissez les vannes réglées comme elles l'ont été par le système, sauf si une recirculation est requise. Vidangez complètement la thermopompe.
3. **IMPORTANT:** n'oubliez pas de reconfigurer les vannes lors de la prochaine ouverture, afin d'assurer le bon fonctionnement de l'appareil.

19. PROTECTION CONTRE LE GEL

Si l'appareil est installé dans un climat froid ou l'eau peut geler, assurez-vous de protéger les circuits d'eau contre le gel, comme vous le feriez pour la pompe et le filtre.

Vidange du système

1. Ouvrez le disjoncteur ou le contacteur du circuit qui alimente l'appareil.
2. Alors que la pompe de la piscine est à l'arrêt, fermez les robinets d'arrêt externes et retirez les bouchons des raccords de vidange situés dans les raccords d'entrée et de sortie, afin de vidanger l'appareil.

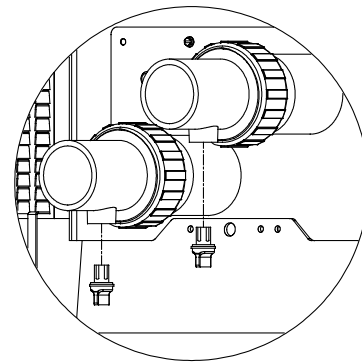


Figure 9. Bouchons des raccords de vidange

3. Vous pouvez utiliser un aspirateur humide/sec ou un jet d'air pour éliminer l'excès d'eau, si nécessaire.
4. Une fois l'eau drainée, réinstallez les bouchons de vidange.
5. Couvrez l'appareil avec une housse imperméable.

Fonctionnement en continu

Il est également possible, dans certaines zones tempérées, d'éviter les dommages causés par le gel en laissant fonctionner la thermopompe en continu par temps froid. Toutefois, cette façon de procéder entraîne habituellement des coûts élevés de fonctionnement. De plus, en cas de panne de courant, l'appareil DEVRA être vidangé en urgence, sinon il risquerait d'être endommagé par le gel.

NOTE: le fabricant de la thermopompe N'EST PAS RESPONSABLE de tout dommage survenant à la suite d'un réglage du système.

20. ENTRETIEN

Les procédures d'entretien qui suivent contribueront à maintenir votre unité opérationnelle à un niveau élevé de fiabilité. Effectuez périodiquement ces entretiens afin de préserver votre garantie et prévenir les défaillances du système et la dégradation de ses performances.

ATTENTION: pour nettoyer les ailettes, retirez les panneaux latéraux et rincez délicatement les ailettes avec un jet d'eau. N'utilisez pas un jet sous pression. Un jet sous pression fera plier les ailettes et annulera la garantie.

Nettoyage des serpentins

L'efficacité du système dépend grandement de la libre circulation d'air à travers les minces et étroitement espacées ailettes des serpentins de l'évaporateur. Nettoyez l'évaporateur chaque fois que vous constatez une accumulation de saleté ou de débris.

Entretien du boîtier (optionnel)

AVERTISSEMENT: coupez l'alimentation électrique avant de nettoyer l'appareil.

Le boîtier est revêtu d'un enduit à poudre électrostatique conçu pour une utilisation en extérieur et nécessitant peu de soins. Nettoyez-le au savon doux et à l'eau au besoin.

Déboucher les orifices de vidange de la condensation

L'appareil extrait l'humidité de l'air lorsque celui-ci passe à travers un serpentin, d'une façon semblable à la formation de gouttelettes d'eau sur un verre froid, par une chaude journée d'été. Cette condensation est évacuée par le fond de l'appareil.

1. Assurez-vous régulièrement que les orifices de vidange de condensation de la base sont libres de toute obstruction pouvant prévenir l'écoulement de la condensation. Voir **Figure 10** pour connaître l'emplacement des orifices de vidange de la condensation.
2. Si l'écoulement de la condensation représente un problème, il se pourrait que vous deviez installer un bac d'écoulement sous la thermopompe. Consultez le fournisseur de votre thermopompe ou de votre piscine.

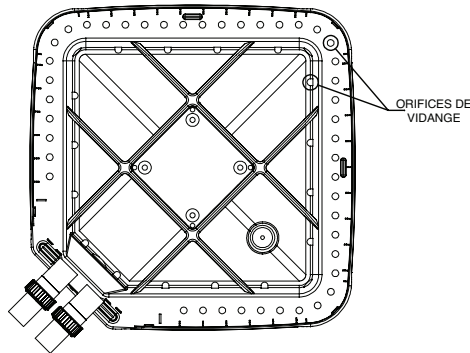


Figure 10. Orifices de vidange de la condensation

21. DÉPANNAGE

Si votre appareil ne fonctionne pas ou ne chauffe pas l'eau, l'écran de son panneau de commande devrait afficher des codes d'erreurs ou même précisément vous indiquer la source du problème. Prenez toujours bonne note de ces messages avant d'appeler un technicien d'entretien. En lui indiquant ces messages d'erreurs, le technicien pourrait même être en mesure de vous aider à résoudre le problème sans avoir à se déplacer!

L'appareil fonctionne, mais ne chauffe pas

- Le débit d'eau à travers l'appareil est-il suffisant? Assurez-vous que le système n'est pas obstrué: passoire de la pompe, filtre sale, mauvaise configuration des vannes.
- La température de l'air éjecté est-elle de 8° à 10°F (4,4°C à 5,5°C) est-il plus fraîche que l'air entrant? Si c'est le cas, cela prouve que la thermopompe extrait la chaleur de l'air et la transfère à la piscine.
- Est-ce qu'il se forme de la condensation sur l'évaporateur et les conduites internes en cuivre? Il s'agit d'une autre preuve de l'extraction de la chaleur de l'air. Si l'air ambiant est frais et sec, il se pourrait qu'il n'y ait pratiquement pas de condensation.
- Depuis combien de temps l'unité fonctionne-t-elle? Par temps frais, à la suite de la mise en service initiale, il faut parfois compter sur une semaine complète de chauffage pour élever la température de l'eau au niveau souhaité. Normalement, il faut environ 4 jours.
- Combien d'heures par jour l'appareil fonctionne-t-il?
Rappel: la thermopompe fonctionne uniquement

quand la pompe de la piscine fonctionne elle aussi. Réglez le système pour assurer son fonctionnement 24 heures par jour. Une fois la température-cible atteinte, revenez à l'horaire de fonctionnement normal, généralement de 8 à 10 heures par jour.

- Le débit d'air à travers l'appareil est-il suffisant? La présence de restrictions (arbustes, herbes hautes, serpentins sales, etc.) nuit à la circulation de l'air et réduit le rendement de la thermopompe.
- Utilisez-vous une toile solaire? La température d'une piscine non couverte peut baisser de jusqu'à 10°F (5,5°C) en une seule nuit, comparativement à 4°F (2,2°C) avec une toile. Sans couverture, toute la chaleur gagnée pendant la journée peut se dissiper en une seule nuit.
- Est-ce que la perte de chaleur survient à la suite d'une période de vent fort, du remplissage de la piscine, d'une forte pluie?

NOTE: Si la pompe de la piscine et la thermopompe s'éteignent avant que la température de l'eau atteigne sa valeur de consigne, vous devez allonger leur période de fonctionnement. Pour ce faire, allongez l'horaire de fonctionnement, ou mettez manuellement le système en marche, en contournant la minuterie. La thermopompe fonctionne plus efficacement en mode chauffage lorsque la température de l'air ambiant est plus élevée. Par conséquent, il est suggéré de la faire fonctionner le jour.

B. L'appareil ne fonctionne pas

- L'écran du module de commande est-il allumé? Si ce n'est pas le cas, le disjoncteur du circuit pourrait s'être déclenché. Vérifiez le disjoncteur: poussez le successivement à la position OFF, puis ON. Assurez-vous que le disjoncteur est enclenché et fonctionne correctement avant d'appeler un technicien d'entretien.
- Les paramètres de fonctionnement sont-ils correctement réglés? Assurez-vous que la température de consigne a été correctement réglée et qu'elle est supérieure à la température actuelle de l'eau.
- Avez-vous attendu environ 5 minutes (si l'appareil a fonctionné récemment)? À la suite d'un arrêt de fonctionnement, l'appareil ne se remet jamais en marche en moins de 5 minutes. L'écran affiche « Comp Start Delay » au cours de ce délai de 5 minutes.

NOTE: la thermopompe ne peut se mettre en marche si le mode de commande à distance (Remote) est sélectionné et qu'elle n'est reliée à aucun contrôleur à distance.

C. Condensation excessive

Une thermopompe peut parfois produire une grande quantité de condensation lors de son fonctionnement. Si vous soupçonnez que l'appareil fuit:

- Éteignez la thermopompe et laissez fonctionner la pompe de la piscine pour voir si l'eau cesse de s'écouler. Si l'écoulement cesse, cela indique que la thermopompe ne fuit pas.

NOTE: utilisez une trousse de mesure du chlore pour mesurer la concentration de chlore dans l'eau.

Dépannage

Avant de dépanner le système, vérifiez les points suivants:

- Tous les raccords d'eau et électriques sont effectués et solides
- Le câblage du système est correct effectué
- Le fusible du contrôleur 24 Vca n'a pas fondu (fusible automobile 3A de type "ATO")
- Le système est correctement mis à la terre. Les arrêts intempestifs sont souvent causés par une mauvaise mise à la terre du système.

Pour accéder au menu installateur, il suffit de maintenir enfoncés les touches UP et MENU pendant au moins 3 secondes. Ce menu ne permet pas de modifier pas le mode de fonctionnement de l'appareil, qui continuera à fonctionner comme préréglé. Pour afficher les divers écrans de statuts dans ce menu, il suffit d'appuyer sur les touches UP et DOWN. Certains éléments de ce menu (ex.: Fault History et Sensor Temperatures) possèdent des sous-entrées qu'il est possible d'afficher en appuyant sur les touches UP ou DOWN. Pour sortir du menu installateur et retourner à l'affichage précédent, il suffit d'appuyer sur les touches UP et MENU ou d'attendre 60 secondes, sans appuyer sur aucune touche.

Messages d'état de fonctionnement

Voici les messages d'état pouvant s'afficher dans les modes Piscine, Spa et commande à distance (Remote).

Message	Description	Dépannage recommandé
Comp Start Delay	Le délai de non-remise en marche de 3 minutes du compresseur est en cours. Ce délai peut être annulé en appuyant simultanément sur les boutons UP et DOWN.	Aucun problème – ce message indique la raison pour laquelle l'appareil ne se remet pas immédiatement en marche.
Valve Chng Delay	La vanne à 3 voies est en cours de manoeuvre, de la position Piscine à Spa, ou l'inverse.	Aucun problème – ce message indique la raison pour laquelle l'appareil ne se remet pas immédiatement en marche.
WPS Closed	La vanne à 3 voies ne peut être reconfigurée parce que le détecteur de pression est fermé.	Vérifiez les paramètres du système: est-ce que le contrôle de la pompe est désactivé?
Defrost	L'appareil effectue un cycle de dégivrage.	Aucun problème – ce message indique la raison pour laquelle l'appareil ne se remet pas immédiatement en marche.
Heating	L'appareil fonctionne et effectue un cycle de chauffage.	S/O
Cooling	L'appareil fonctionne et effectue un cycle de refroidissement.	S/O
External Heat	Le paramètre AUX est réglé sur EXTERNAL HEAT, ce qui signifie qu'un dispositif externe (ex.: système de chauffage solaire) effectue le premier niveau de chauffage, au lieu de la thermopompe.	Vérifiez les paramètres sélectionnés.
Outside Lockout	Le compresseur ne fonctionne pas, car le capteur de température ambiante mesure une température trop basse.	Vérifiez le réglage de température ambiante de verrouillage. Vérifiez la température présentement mesurée par le capteur (menu Installateur); remplacer la sonde si cette valeur ne correspond pas à la température ambiante. Désactivez cette fonction dans le sous-menu Installer/Entretien si cette fonction n'est pas souhaitée.
No Demand	Température de consigne atteinte, l'appareil est en attente.	S/O

Tableau H. Messages d'état de fonctionnement

Messages d'erreur

Voici les messages d'état pouvant s'afficher dans les modes Piscine, Spa et commande à distance (Remote). S'il survient un nouveau code d'erreur identique au plus récent, il n'est pas ajouté à l'historique.

Message d'erreur	Description	Dépannage
Amb Sensor Fail	Le capteur de température ambiante est OUVERT ou COURT-CIRCUITÉ.	Remplacez le capteur de température ambiante.
Coil Sensor Fail	Le capteur de température du serpentín est OUVERT ou COURT-CIRCUITÉ.	Remplacez le capteur de température du serpentín.
H2O Sensor Fail	La sonde de température de l'eau est OUVERTE ou COURT-CIRCUITÉE.	Remplacez la sonde de température de l'eau.
Aux Sensor Fail	Le capteur de température AUX est OUVERT ou COURT-CIRCUITÉ (si équipé).	Remplacez le capteur de température AUX.
Hi Press Trip	Limiteur haute pression déclenché, le compresseur ne se met pas en marche.	Vérifiez le fonctionnement du limiteur haute pression; remplacer au besoin.
Lo Press Trip	Limiteur basse pression déclenché, le compresseur ne se met pas en marche.	Vérifiez le fonctionnement du limiteur basse pression; remplacer au besoin.
Hi Press Lockout	Le limiteur haute pression s'est déclenché 7 fois au cours d'un seul cycle de demande de fonctionnement (lancé par le thermostat).	Le compresseur est en mise à l'arrêt forcé pendant 4 heures (réinitialisation automatique). Cependant, il est possible de contourner ce verrouillage en appuyant sur la touche MENU ou en coupant l'alimentation électrique. Vérifiez la charge du frigorigène et ajoutez-en au besoin. Vérifiez si le débit d'eau est suffisant.
Lo Press Lockout	Le limiteur basse pression s'est déclenché 6 fois au cours d'un seul cycle de demande de fonctionnement (lancé par le thermostat).	Le compresseur est en mise à l'arrêt forcé pendant 4 heures (réinitialisation automatique). Cependant, il est possible de contourner ce verrouillage en appuyant sur la touche MENU ou en coupant l'alimentation électrique. Vérifiez la charge du frigorigène et ajoutez-en au besoin.
Brownout	Le compresseur ne fonctionne pas en raison d'une faible tension d'alimentation 24 Vca.	La tension doit être supérieure à 17 Vca pendant plus de 4 secondes avant que le compresseur ne se mette en marche. Vérifiez l'alimentation électrique et le transformateur 24 Vca. Remplacez/corrigez au besoin.
Hi Water Temp	La sonde de température de l'eau mesure une température égale ou supérieure à 108°F (42°C). Le compresseur ne se met pas en marche.	Pour réinitialiser: la sonde de température d'eau doit mesurer une valeur inférieure à 103°F ET appuyez sur le bouton UP.
Remote Error	Les fonctions Spa et Piscine sont activées.	Vérifiez les raccords de tout dispositif de commande à distance, au bornier.
Water PS Open	Le circuit du débitmètre ou du détecteur de pression est ouvert.	Vérifiez les débits du système. Vérifiez les paramètres de fonctionnement de la pompe.
Outside Lockout	La température ambiante est inférieure à la température de verrouillage programmée.	Vérifiez le capteur de température ambiante, pourrait être OUVERT ou COURT-CIRCUITÉ. Modifiez le paramètre Outside Lockout dans le module de commande: modifiez ce paramètre ou désactivez (OFF) la fonction Outside Lockout. Attendez que la température ambiante s'élève au-dessus de la température de verrouillage définie dans le menu Installateur/entretien.
Control Fault 1	Échec relais du compresseur.	Réinitialisation automatique, ou éteindre/réallumer, remplacez le module si la panne persiste.
Control Fault 2	Échec CRC, mémoire ROM.	Réinitialisation automatique, ou éteindre/réallumer, remplacez le module si la panne persiste.
Control Fault 3	Échec, mémoire vive	Réinitialisation automatique, ou éteindre/réallumer, remplacez le module si la panne persiste.
Control Fault 4	Exécution logicielle hors séquence	Réinitialisation automatique, ou éteindre/réallumer, remplacez le module si la panne persiste.
Control Fault 5	Échec du convertisseur analogique-numérique	Réinitialisation automatique, ou éteindre/réallumer, remplacez le module si la panne persiste.
Control Fault 6	Échec du multiplexeur analogique-numérique	Réinitialisation automatique, ou éteindre/réallumer, remplacez le module si la panne persiste.
Control Fault 7	Erreur d'interruption.	Réinitialisation automatique, ou éteindre/réallumer, remplacez le module si la panne persiste.
Control Fault 8	Échec de l'horloge heure du jour.	Si le module de commande est incapable de lire l'horloge, il enregistre le défaut et désactive les réglages de la pompe et de la sortie auxiliaire programmées. L'heure s'affichée ainsi: ??:?? dans ce cas. Éteindre/réallumer le module de commande, remplacez le module si la panne persiste.

Tableau I. Messages d'erreur

22. VÉRIFICATIONS D'ENTRETIEN

NOTE: le numéro du service technique est indiqué sur la plaque signalétique, à l'avant de la thermopompe.

Avant d'appeler un technicien, déterminez **d'abord** la nature du problème:

- Service sous garantie - ayez à portée de main les renseignements suivants: numéro de modèle, numéro de série et date d'installation, ou le numéro de confirmation de l'enregistrement de garantie.
- Fonctionnement de l'appareil (alimentation électrique, débit d'eau ou réglage de l'horloge)

NOTE: le FABRICANT N'EST PAS RESPONSABLE de la réinitialisation de vos paramètres.

Alim. électrique

- Vérifiez que tous les disjoncteurs sont réinitialisés et fonctionnent correctement.
- Si l'écran du panneau de commande ne s'allume pas, contactez l'installateur, car il pourrait s'agir d'un problème d'alimentation électrique.

Alimentation d'eau

- Vérifiez que le filtre de la piscine est propre et en mesure de fournir un bon débit.
- Vérifiez que les vannes sont de façon à permettre un débit d'eau à travers l'appareil.

Réglage de l'horloge

Vérifiez que l'horloge est bien réglée et permet au système de fonctionner suffisamment longtemps.

Réinitialiser les valeurs par défaut

Si vous avez perdu le fil des modifications de paramètres et que nous n'arrivons pas à obtenir le fonctionnement souhaité, vous pouvez réinitialiser les paramètres d'usine, comme indiqué dans les tableaux D, E ou F. Cette opération réinitialise tous les paramètres programmables.

Passez au mode Installateur/Entretien en maintenant les boutons MENU et UP enfoncés pendant au moins 3 secondes. Faites défiler les écrans jusqu'à « Installer Menu » et appuyez sur le bouton UP ou BAS jusqu'à ce que YES apparaisse sur la 2ème ligne. Appuyez sur la touche MENU pour accéder à Service information Appuyez sur le bouton MENU jusqu'à ce que "Set Factory Defaults" s'affiche à l'écran. Appuyez et maintenez enfoncés les boutons UP / DOWN pendant plus de 5 secondes pour réinitialiser le module à ses paramètres d'usine. L'écran affichera « Defaults Set » une fois l'opération effectuée.

NOTE: les paramètres existants seront effacés et irrécupérables. Tous les paramètres devront être réentrés à la main pour rétablir le bon fonctionnement du système.

Accès à l'intérieur du boîtier

Pour intervenir sur les composantes internes du boîtier, retirez le panneau de commande pour accéder (1) au compresseur, (2) à l'échangeur de chaleur, (3) à la vanne d'expansion thermique (TXV), (4) à la vanne d'inversion ou à l'électrovanne (si équipé), (5) au débitmètre (si équipé) et (6) aux sondes et capteurs (eau, air ambiant et serpentin). Pour y accéder, procédez comme suit:

1. Coupez toute source d'alimentation électrique de l'appareil pour éviter toute possibilité d'électrocution et d'endommagement des composantes.
2. Retirez les 5 vis qui retiennent le couvercle du panneau de commande du boîtier (2 de chaque côté et 1 sur le panneau supérieur — voir **Figure 11** ci-dessous). Placez les vis dans la base.

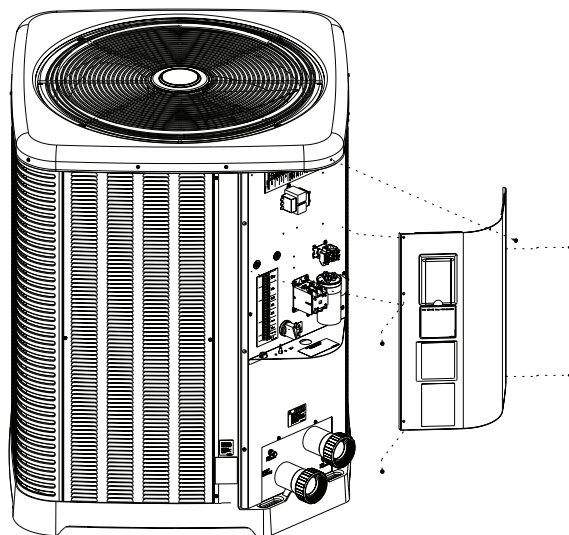


Figure 11. Vis à métaux qui retiennent le couvercle du panneau de commande

3. Retirez les connecteurs multi-broches à l'arrière de la carte électronique (8 connecteurs au total) – NOTE: vous n'avez pas besoin de retirer le connecteur PL4 car il s'agit du ruban câble monté sur la carte électronique elle-même.
4. Déposez le couvercle du panneau de commande de côté à proximité.
5. Retirez les 4 vis qui fixent le panneau de la boîte de jonction au boîtier (1 de chaque côté et 2 à proximité des raccords d'eau entrée/sortie). voir **Figure 12**. Placez les vis dans la base.

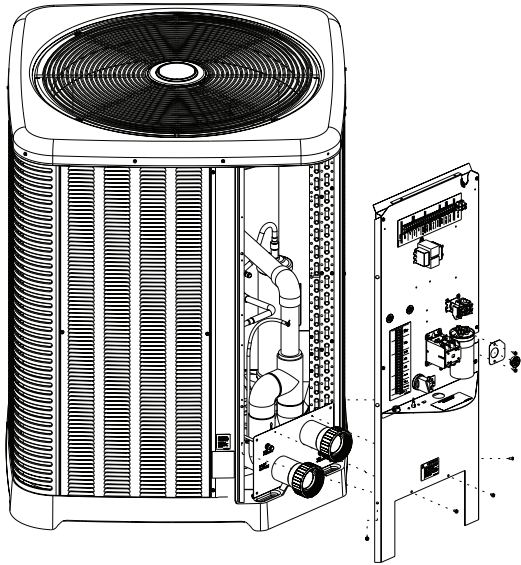


Figure 12. Vis à métaux qui retiennent le panneau de la boîte de jonction

6. Retirez les 2 vis qui fixent en place le connecteur du câble du compresseur à la boîte de jonction et placez-les dans la base.
7. Faites passer les câbles du compresseur à travers la fente dans la boîte de jonction.
8. Maintenez la boîte de jonction par sa base et tirez-la vers le bas pour retirer l'assemblage de la boîte de jonction.

⚠ AVERTISSEMENT: prenez garde de ne pas endommager les câbles du ventilateur et du compresseur lors du retrait de la boîte de jonction.

9. Déplacez l'ensemble à l'écart de l'ouverture pour accéder à l'intérieur de l'appareil. NOTE: il est aussi possible de retirer le couvercle supérieur de l'appareil pour un plus grand accès.
10. Après l'intervention d'entretien, repositionnez la boîte de jonction: insérez d'abord sa partie supérieure, poussez légèrement vers l'intérieur puis vers le bas.

⚠ ATTENTION: assurez-vous d'acheminer les câbles du moteur du ventilateur à travers la fente située en haut de la boîte de jonction. Assurez-vous également que les câbles du compresseur sont acheminés dans la fente située sur le côté droit de la boîte de jonction.

⚠ AVERTISSEMENT: si des câbles se déconnectent au cours de l'entretien, reportez-vous au schéma de câblage situé à l'arrière du couvercle du panneau de commande ou dans le manuel d'installation et d'utilisation, pour vous assurer de leur bon rebranchement.

11. Réinstallez le connecteur du câble du compresseur sur la boîte de jonction avec les 2 vis retirées à l'étape 6.
12. Réinstallez les vis retirées à l'étape 5 (fixez la boîte de jonction au boîtier).
13. Rebranchez les connecteurs multi-broches à la carte électronique.
14. Faites glisser le couvercle de la boîte de commande en place et fixez-le en place avec les vis retirées à l'étape 2.
15. Alimentez l'appareil en électricité et lancez le fonctionnement selon vos besoins.

23. SCHÉMAS DE PLOMBERIE

NOTE: modèles 2450-4450 – Pour systèmes à pompes de moins de 1-1/2 HP (moins de 40 GPM/151 LPM);
modèles 5450-8450 – Pour systèmes à pompes de moins de 2 HP (moins de 80 GPM/303 LPM).
Aucun contournement externe requis.

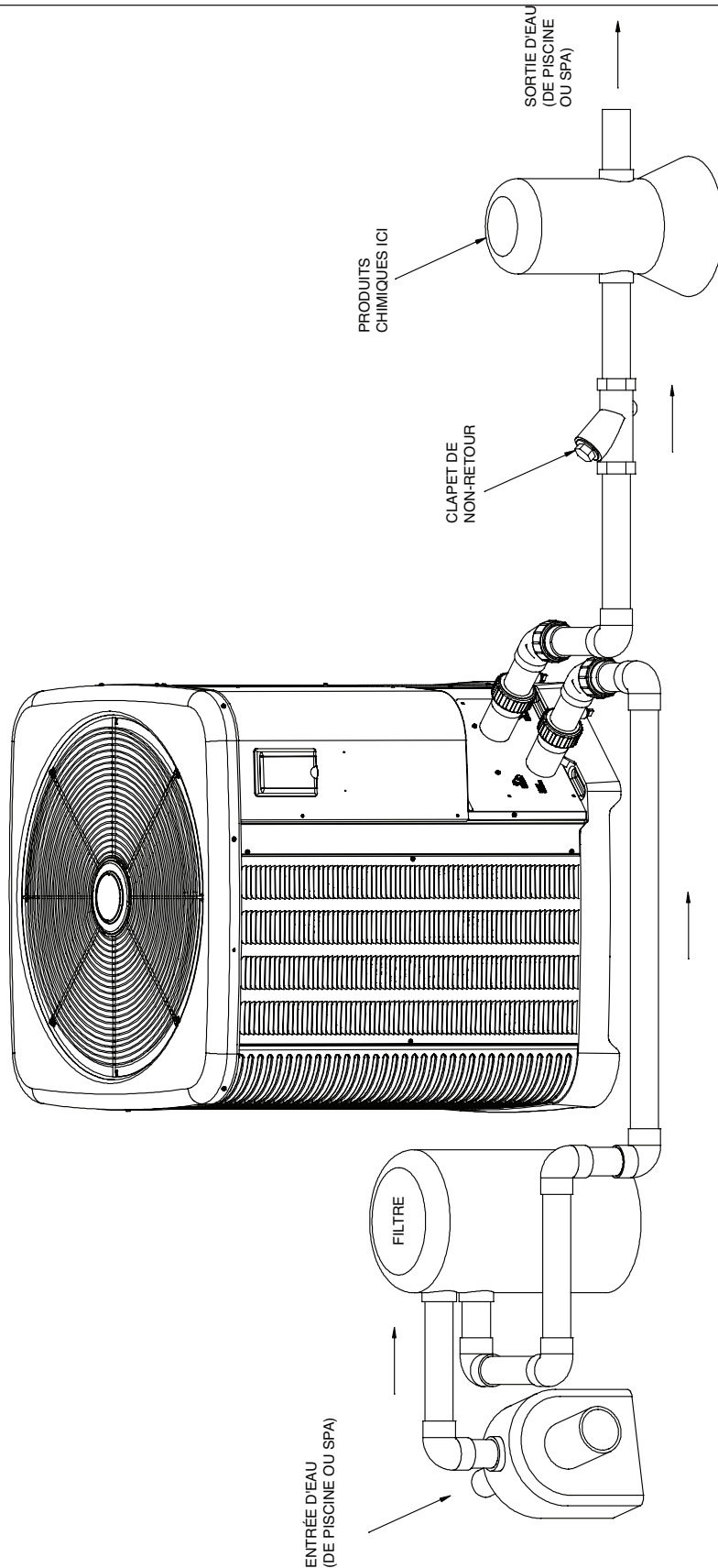


Figure 13. Schéma de plomberie – Pas de dérivation externe (installez la thermopompe APRÈS le filtre et avant tout chlorinateur).

NOTE: modèles 2450-4450 – Pour systèmes à pompes de 1-1/2 HP ou plus (plus de 40 GPM/151 LPM); modèles 5450-8450 – Pour systèmes à pompes de 2 HP ou plus (plus de 80 GPM/303 LPM). Aucune dérivation externe requise. Réglage minimal de la vanne de dérivation: 20 GPM/76 LPM (2450-4450) ou 30 GPM/114 LPM (5450-8450) à travers le chauffe-piscine.

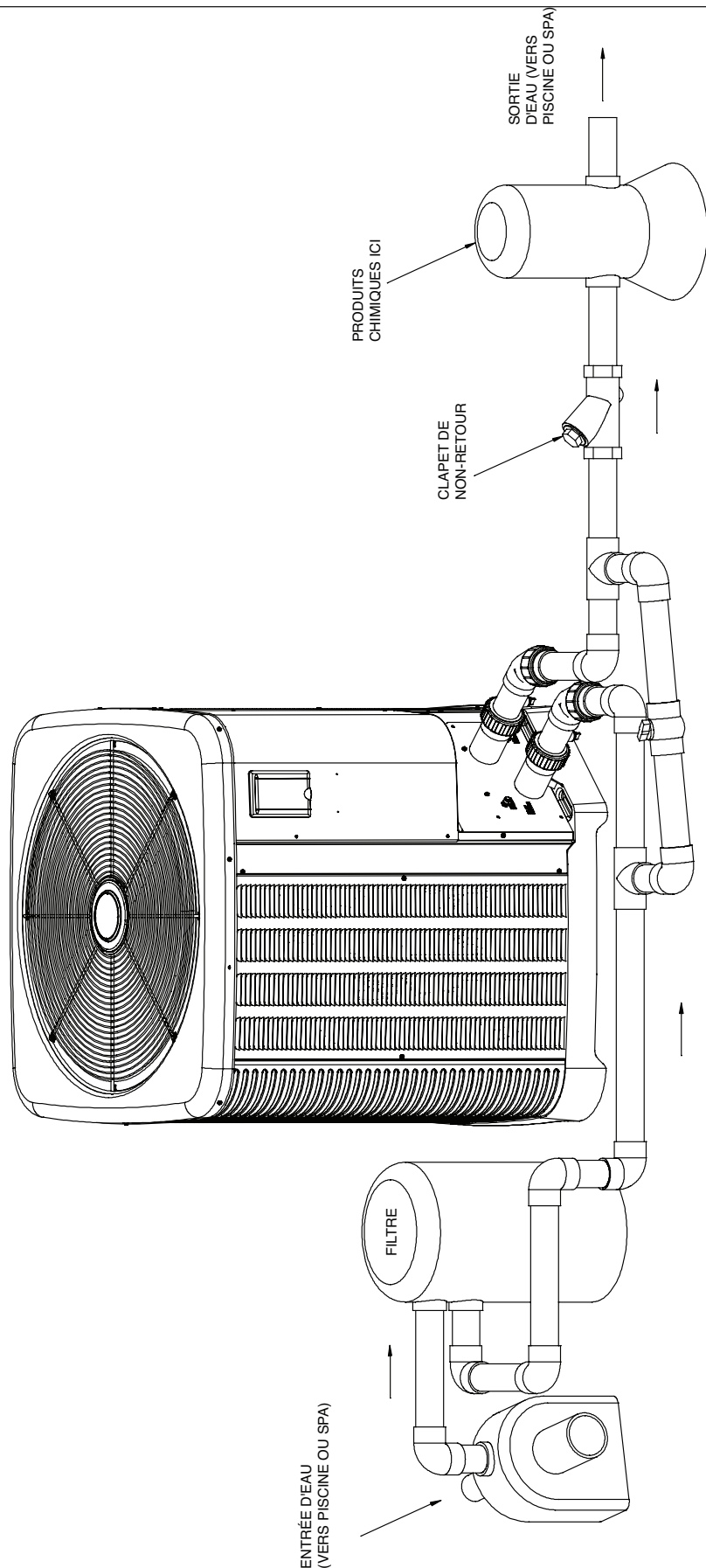


Figure 14. Schéma de plomberie – Pas de dérivation externe (installez la thermopompe APRÈS le filtre et avant tout chlorinateur).

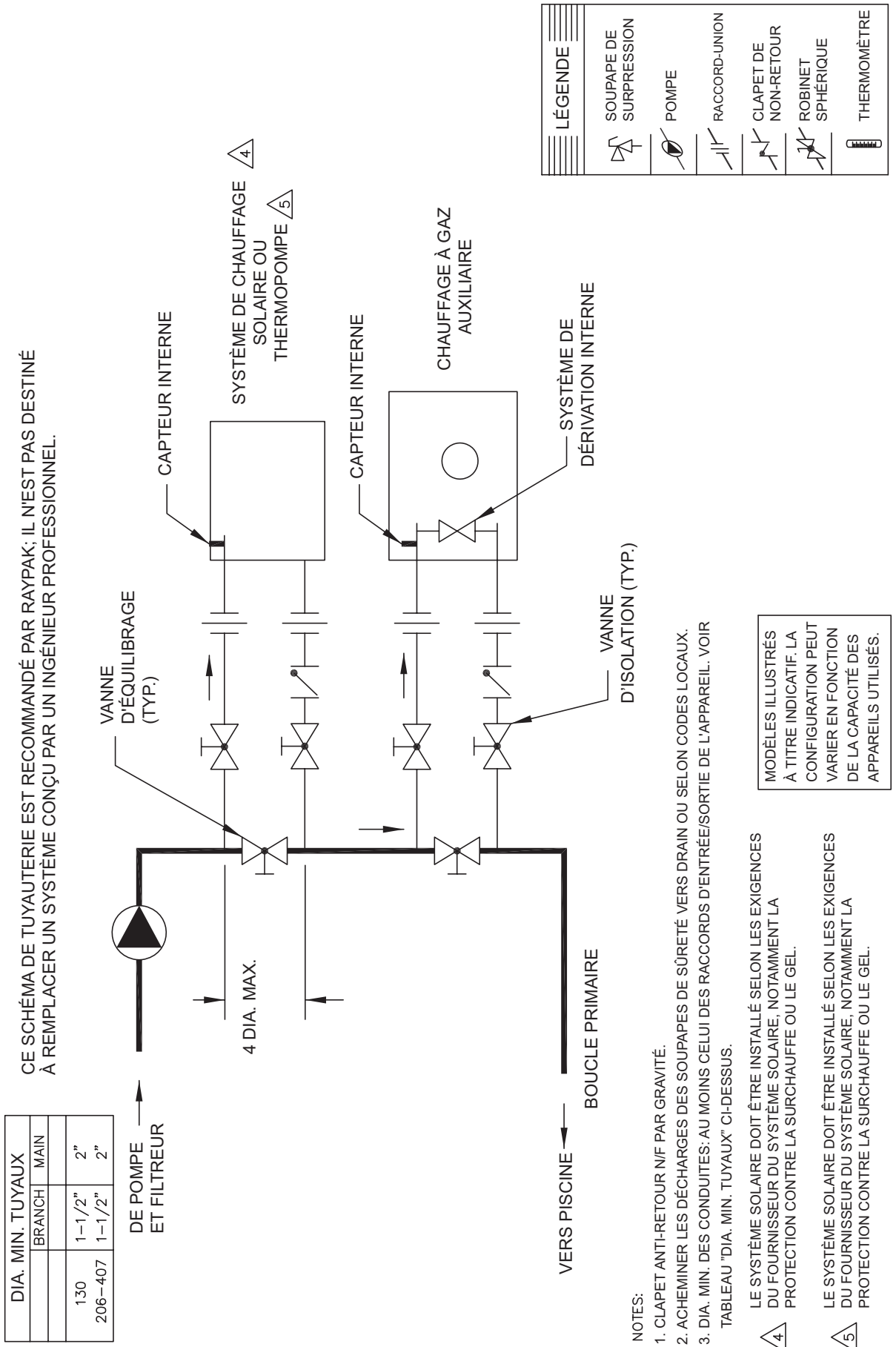


Figure 15. Tuyauterie de piscine pour chauffage par thermopompe et au gaz

CE SCHÉMA DE TUYAUTERIE EST RECOMMANDÉ PAR RAYPAK; IL N'EST PAS DESTINÉ À REMPLACER UN SYSTÈME CONÇU PAR UN INGÉNIEUR PROFESSIONNEL.

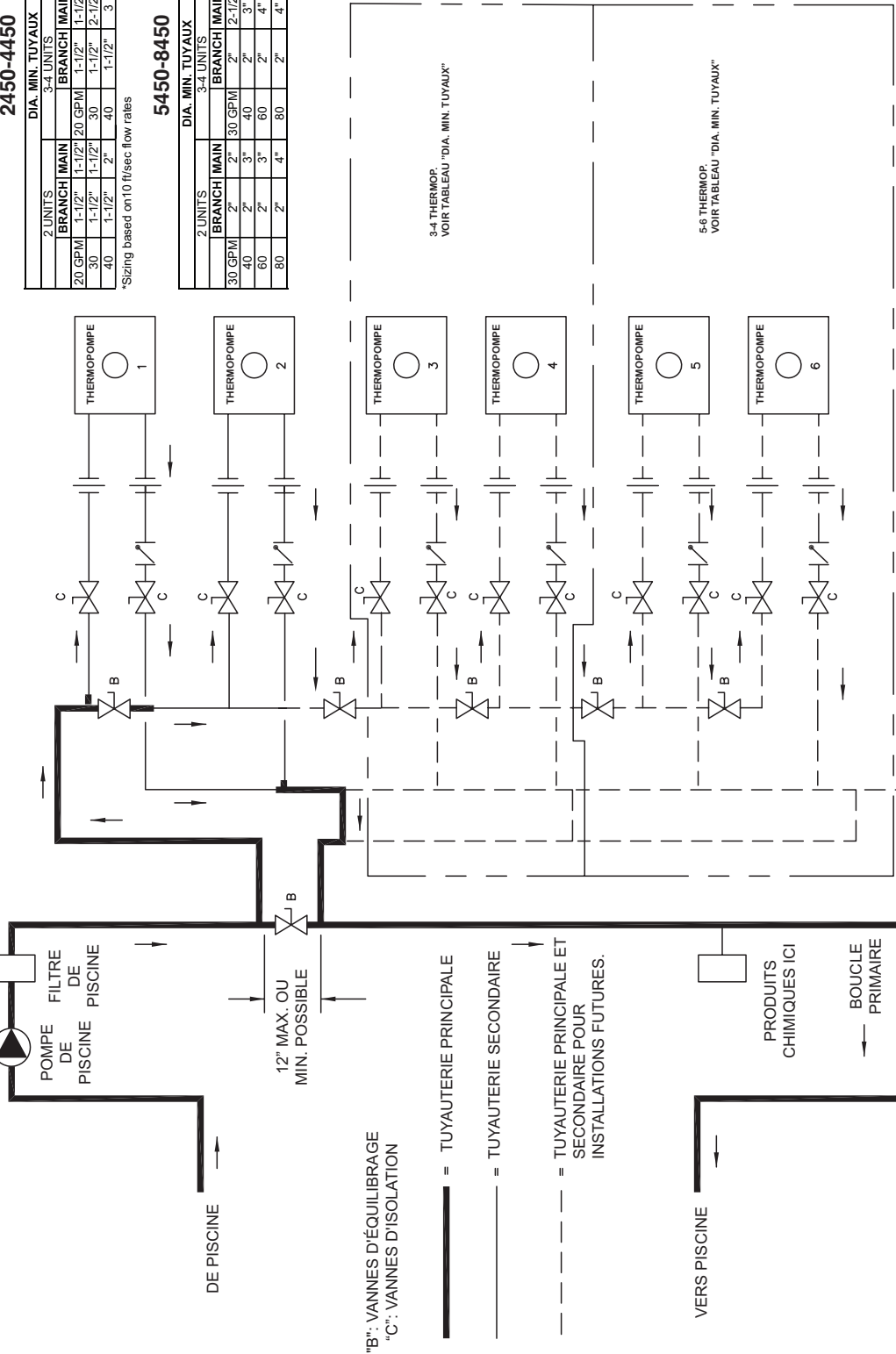
2450-4450

2 UNITS		3-4 UNITS		5-6 UNITS	
BRANCH	MAIN	BRANCH	MAIN	BRANCH	MAIN
20 GPM	1-1/2"	1-1/2"	20 GPM	1-1/2"	2"
30	1-1/2"	30	1-1/2"	2-1/2"	3"
40	1-1/2"	2"	40	1-1/2"	3"
				4"	4"

*Sizing based on 10 ft/sec flow rates

5450-8450

2 UNITS		3-4 UNITS		5-6 UNITS	
BRANCH	MAIN	BRANCH	MAIN	BRANCH	MAIN
30 GPM	2"	30 GPM	2"	2-1/2"	30 GPM
40	2"	40	2"	3"	40
60	2"	3"	60	2"	4"
80	2"	4"	80	2"	4"
				2"	5"
				2"	5"



"B": VANNES D'ÉQUILIBRAGE
 "C": VANNES D'ISOLATION

— = TUYAUTERIE PRINCIPALE
 - - - = TUYAUTERIE SECONDAIRE
 - · - · - = TUYAUTERIE PRINCIPALE ET SECONDAIRE POUR INSTALLATIONS FUTURES.

PRODUITS CHIMIQUES ICI
 BOUCLE PRIMAIRE

NOTES:
 1. CLAPET ANTI-RETOUR NIF PAR GRAVITÉ.
 2. DIA. MIN. DES CONDUITES: AU MOINS CELUI DES RACCORDS D'ENTRÉE/SORTIE DE L'APPAREIL. VOIR TABLEAU "DIA. MIN. TUYAUX" CI-DESSUS.

MODELES ILLUSTRÉS A TITRE INDICATIF LA CONFIGURATION PEUT VARIER EN FONCTION DE LA CAPACITÉ DES APPAREILS UTILISÉS.

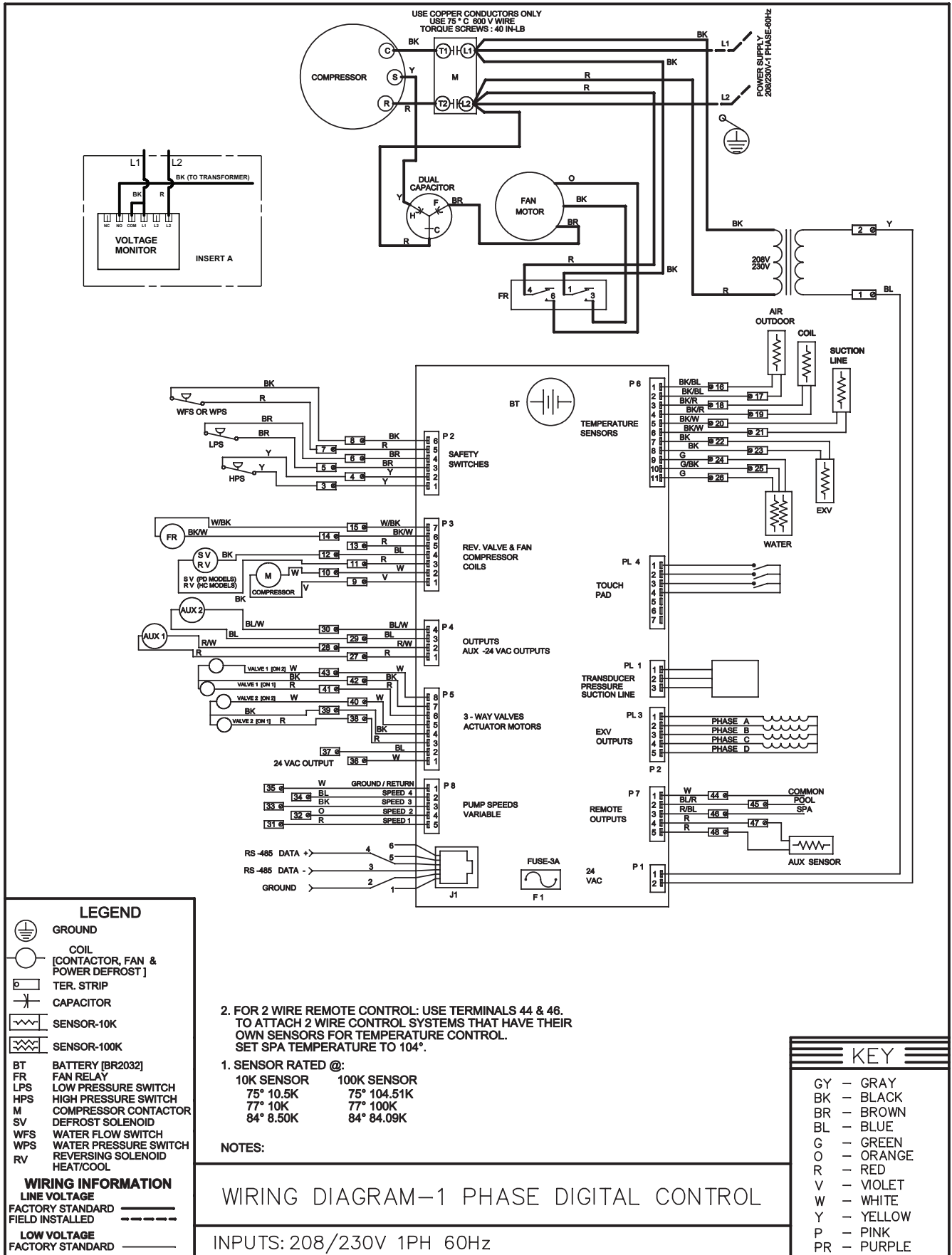
PROLONGER DE 1/2" POUR LE CAS DE LA CHAUFFE-BISCINE POUR L'ÉQUILIBRAGE HYDRAULIQUE.

LÉGENDE

	SOUPEAPE DE SURPRESSION
	POMPE
	RACCORD-UNION
	CLAPET DE NON-RETOUR
	ROBINET SPHÉRIQUE
	THERMOMÈTRE

Figure 16. Schéma de plomberie multithermopompe, boucle primaire/secondaire

24. SCHÉMA DE CÂBLAGE – 208V/230V MONOPHASÉ – MODÈLES NUMÉRIQUES



25. INSTALLATION D'UN MODULE DE COMMANDE À DISTANCE

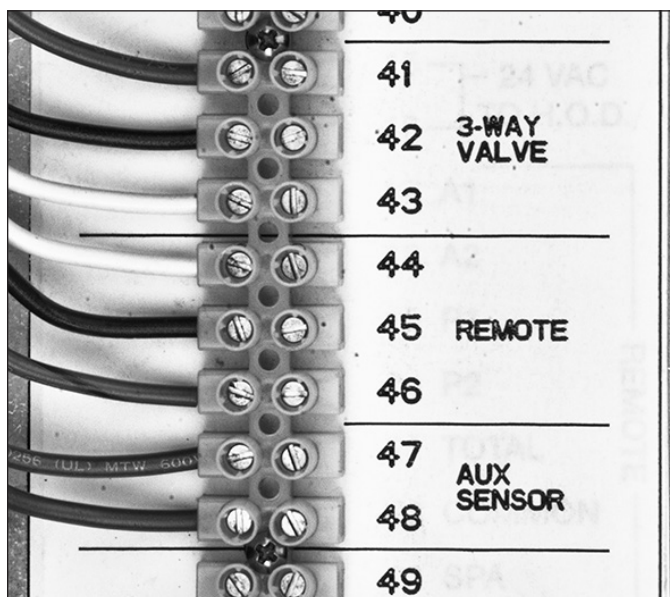


Figure 17. Bornier de la thermopompe

Contrôleur d'automatisation

Contrôleurs à 2 fils (chauffage seulement)

1. Raccordez les fils du contrôleur de chauffage « Heat » aux bornes 44 (Com) et 46 (Spa).
2. Appuyez et maintenez enfoncées les touches UP et DOWN pendant 3 secondes pour sortir du mode REMOTE.
3. En mode commande à distance (Remote), le point de consigne maximal est SPA MAX TEMP (104°F (40°C) par défaut).
4. Appuyez et maintenez enfoncées les touches UP et DOWN pendant 3 secondes pour sortir du mode Remote.
5. La carte électronique sélectionne le mode ARRÊT, ce qui permet à l'utilisateur de sélectionner le mode approprié sur le panneau de commande de la thermopompe.

NOTE: lorsque le contrôleur envoie un signal de chauffage (HEAT), la thermopompe est en mode SPA.
NOTE: lorsque le contrôleur n'envoie pas un signal de chauffage, la thermopompe est en mode OFF.

Contrôleurs à 3 fils

1. Raccordez les fils du contrôleur de chauffage « Heat » aux bornes 44 (Com), 45 (Piscine) et 46 (Spa).

2. Réglez Remote pool sur « Heat » ou « Auto » dans le menu INSTALLER. La sélection de « Heat » permettra le chauffage de la piscine à l'aide du module de commande à distance. La sélection de « Auto » permettra le chauffage/refroidissement de la piscine autour de la valeur SETPOINT établie en mode UTILISATEUR (modèles CHAUFFAGE/REFROIDISSEMENT seulement). Le contrôleur utilisera cette valeur comme point de consigne de chauffage; le point de consigne de refroidissement sera le SETPOINT + COOLING DEADBAND (sélectionné dans le menu INSTALLATEUR).
3. Appuyez et maintenez enfoncées les touches UP et DOWN pendant 3 secondes pour sortir du mode REMOTE.
4. En mode commande à distance (Remote), le point de consigne maximal est SPA MAX TEMP (spa) et POOL MAX TEMP (piscine).
5. Appuyez et maintenez enfoncées les touches UP et DOWN pendant 3 secondes pour sortir du mode Remote.
6. La carte électronique sélectionne le mode ARRÊT, ce qui permet à l'utilisateur de sélectionner le mode approprié sur le panneau de commande de la thermopompe.

Contrôleurs à 2 fils pour mode refroidissement – Modèles HEAT/COOL

1. Raccordez les fils du contrôleur de chauffage « Chill » aux bornes 44 (Com) et 45 (Piscine).
2. Réglez Remote pool sur « Cool » dans le menu INSTALLER.
3. Réglez la température de consigne COOL SETPT souhaitée pour le mode POOL.
4. Appuyez et maintenez enfoncées les touches UP et DOWN pendant 3 secondes pour sortir du mode REMOTE.
5. En mode distant (Remote), la température de consigne est COOL SETPT établie dans le menu UTILISATEUR.

NOTE: le cycle de chauffage de l'eau se lance automatiquement lorsque la température descend sous la température de consigne, d'une valeur équivalente à COOLING DEADBAND.

6. Appuyez et maintenez enfoncées les touches UP et DOWN pendant 3 secondes pour sortir du mode Remote.
7. La carte électronique sélectionne le mode ARRÊT, ce qui permet à l'utilisateur de sélectionner le mode approprié sur le panneau de commande de la thermopompe.

26. RÉSISTANCE DES CAPTEURS

Autres capteurs
Résistance des capteurs 10K

Température °F (°C)	Résistance (Ω)
32 (0)	32 550
41 (5)	25 340
50 (10)	19 870
59 (15)	15 700
68 (20)	12 490
77 (25)	10 000
86 (30)	8059
95 (35)	6535
104 (40)	5330
113 (45)	4372
122 (50)	3605

Sonde d'eau
Résistance des capteurs 100K

Température °F (°C)	Résistance (Ω)
32 (0)	-----
41 (5)	253950
50 (10)	199040
59 (15)	157150
68 (20)	129440
77 (25)	100000
86 (30)	80570
95 (35)	65310
104 (40)	53260
113 (45)	43680
122 (50)	36020

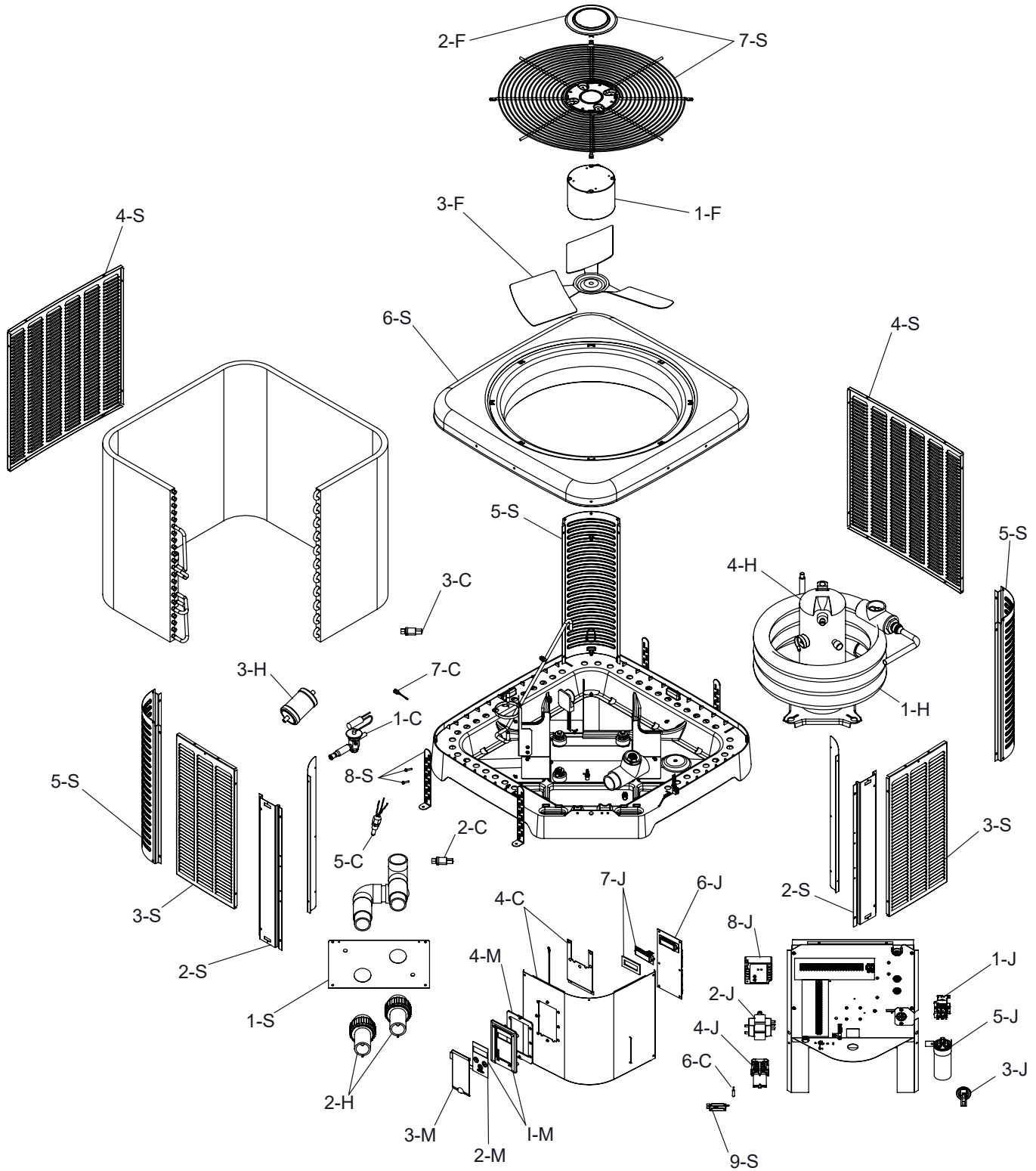
Tableau J. Résistance des capteurs / sondes

Les sondes 100 kΩ mesurent la température de l'eau. Elles intègrent deux thermistances dans un boîtier unique. Le module de commande surveille le signal des deux thermistances pour faire fonctionner l'appareil. S'il détecte un écart de température d'environ 3°F (1,6°C) ou plus, le module éteint le compresseur et affiche « H2O Sensor Fail ».

Ce message disparaîtra et le fonctionnement normal sera relancé si l'écart redescend à moins de 2°F (1,1°C). Les sondes possèdent une erreur de mesure interne inférieure à +/- 0,5°F (0,3°C), dans la plage de température variant de 36°F et 110°F (2,2°C et 43°C). Le module de commande affiche les températures des sondes de 100K à une résolution de 0,1°F ou 0,1°C. La valeur de température d'eau utilisée par le thermostat est la moyenne des 2 thermistances.

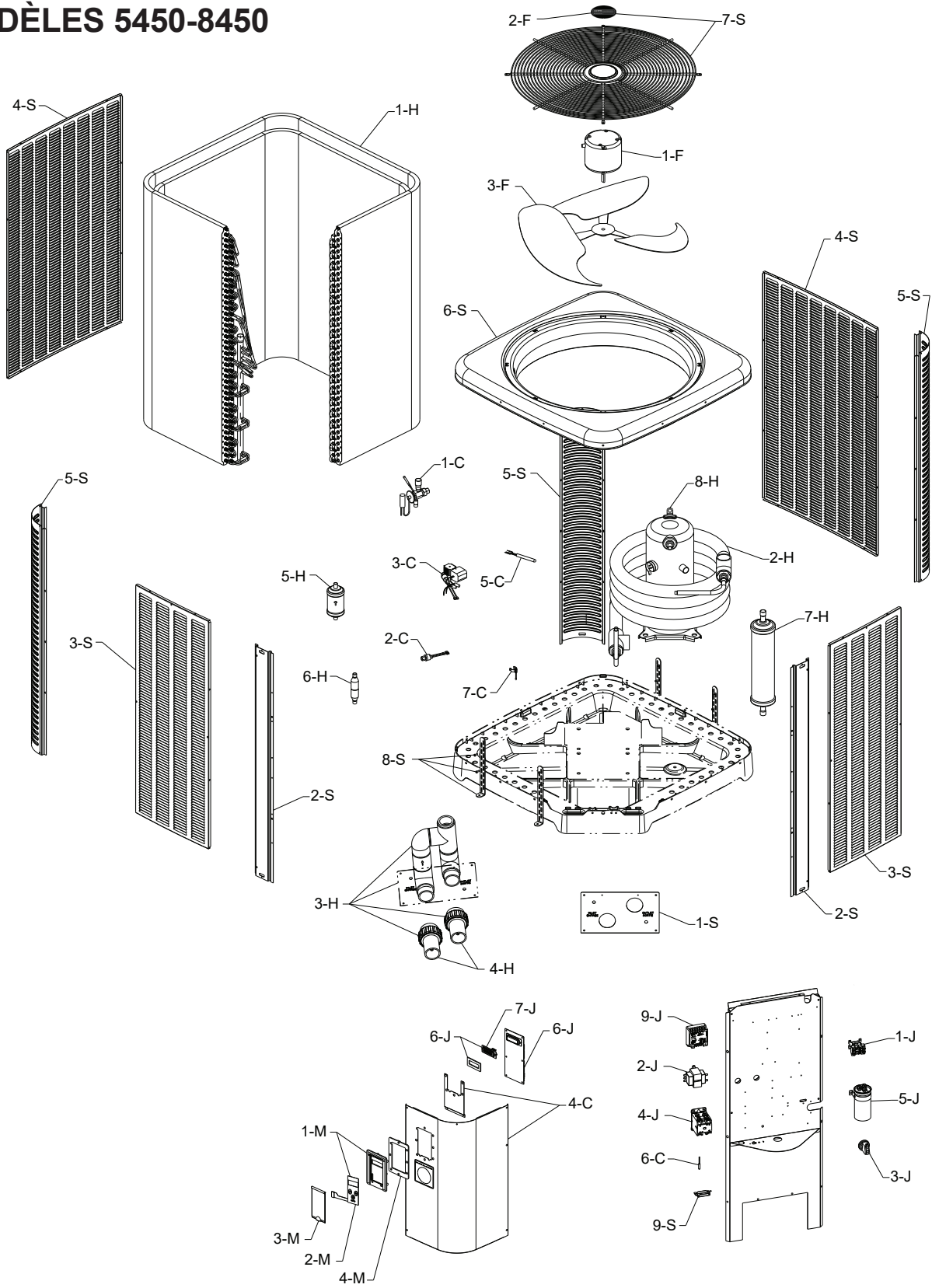
Les capteurs 10 kΩ mesurent la température de l'air ambiant, des serpentins et de la source de chaleur auxiliaire (si installée). Les sondes possèdent une erreur de mesure interne inférieure à +/- 0,5°F (0,3°C), dans la plage de température variant de 36°F et 110°F (2,2°C et 43°C). Le module de commande affiche les températures des sondes de 10K à une résolution de 0,1°F ou 0,1°C.

27. ILLUSTRATION DES PIÈCES MODÈLES 2450-4450



CALL OUT	DESCRIPTION	2450	3450	4450
C	CONTROLS			
1-C	TX Valve	H000372	H000182	H000373
2-C	Low Pressure Switch	H000078	H000078	H000078
3-C	High Pressure Switch	H000079	H000079	H000079
4-C	Control Cover	H000407	H000407	H000349
5-C	Temp Sensor 100K	H000329	H000329	H000329
6-C	Ambient Temp Sensor	H000332	H000332	H000332
7-C	Coil Sensor			
	Coil Sensor Thermister 3/8" Tube	H000333	H000333	H000333
	Coil Sensor Thermister 7/8" Tube	H000334	H000334	H000334
H	HEAT TRANSFER			
1-H	Heat Exchanger	H000187	H000278	H000278
2-H	PVC Union	H000318	H000318	H000318
3-H	Liquid Line Drier	H000188	H000188	H000188
4-H	Compressor R-410A 208/230V 1PH 60Hz	H000374	H000276	H000375
5-H	Compressor Power Plug (Not Shown)	H000271	H000271	H000271
F	FAN			
1-F	Fan Motor	H000376	H000377	H000296
2-F	Fan Grille Cap Cover	H000346	H000346	H000346
3-F	Fan Blade	H000378	H000297	H000379
J	CONTROL BOX			
1-J	Fan Relay	H000299	H000299	H000299
2-J	Transformer	H000331	H000331	H000331
3-J	Water Pressure Switch	H000025	H000025	H000025
4-J	Contractor	H000320	H000320	H000320
5-J	Capacitor	H000380	H000381	H000381
6-J	Control Board Digital	H000302	H000302	H000302
7-J	LCD Display	H000336	H000336	H000336
	Fuse (Not Shown)	H000370	H000370	H000370
8-J	Monitor			
	Line Voltage 1 PH	H000291	H000291	H000291
M	MISCELLANEOUS			
1-M	Bezel Assembly	H000325	H000325	H000325
2-M	Switch/Decal Membrane	H000326	H000326	H000326
3-M	Cover Control Bezel	H000327	H000327	H000327
4-M	Bezel Gasket	H000344	H000344	H000344
5-M	Touch-up Paint (Not Shown)	750260	750260	750260
S	SHEET METAL			
1-S	Access Panel	H000382	H000382	H000382
2-S	Center Post	H000383	H000384	H000385
3-S	Front & Right Side Jacket Panel	H000386	H000387	H000388
4-S	Rear & Left Side Jacket Panel	H000389	H000390	H000391
5-S	Jacket Corner Warm Dark Grey	H000392	H000393	H000394
6-S	Jacket Top Warm Dark Grey	H000395	H000396	H000396
7-S	Grille Fan Guard (Includes 2-F)	H000397	H000398	H000398
8-S	Hurricane Bracket HT Pump SS	H000399	H000399	H000399
9-S	Sensor Cover	H000362	H000362	H000362

MODÈLES 5450-8450



CALLOUT	DESCRIPTION	RAYPAK / RHEEM / RUUD		
		5450	6450	8450
C	CONTROLS			
1-C	TX Valve Heat	H000173	H000173	H000077
2-C	Low Pressure Switch	H000078	H000078	H000078
3-C	High Pressure Switch	H000079	H000079	H000079
4-C	Control Cover	H000349	H000349	H000349
5-C	Temperature Sensor 100K	H000329	H000329	H000329
6-C	Ambient Temperature Sensor	H000332	H000332	H000332
7-C	Coil Sensor 3/8 Diameter Tube	H000333	H000333	H000333
	7/8 Diameter Tube	H000334	H000334	H000334
H	HEAT TRANSFER			
1-H	Evaporator Coil	N/A	N/A	N/A
2-H	Heat Exchanger	H000368	H000368	H000369
3-H	Bypass Assembly (Includes 1-S)	H000365	H000365	H000365
4-H	PVC Union with Built-In Drain	H000317	H000317	H000317
5-H	Liquid Line Drier Heat	H000011	H000011	H000011
6-H	Check Valve	H000006	H000006	H000006
7-H	Charge Compensator	N/A	N/A	H000255
8-H	Compressor 1 PH	H000348	H000012	H000014
9-H	Compressor Power Plug (Not Shown)	H000271	H000271	H000271
F	FAN			
1-F	Fan Motor (825 RPM)	H000296	H000296	H000296
2-F	Fan Grille Cap Cover	H000346	H000346	H000346
3-F	Fan Blade (3-Blade)	H000371	H000371	H000371
J	CONTROL BOX			
1-J	Fan Relay DPST	H000299	H000299	H000299
2-J	Transformer	H000331	H000331	H000331
3-J	Water Pressure Switch	H000025	H000025	H000025
4-J	Contactator 1 PH	H000043	H000043	H000043
5-J	Capacitor 1 PH	H000127	H000127	H000051
6-J	Control Board	H000302	H000302	H000302
7-J	LCD Display	H000336	H000336	H000336
8-J	Fuse (Not Shown)	H000370	H000370	H000370
9-J	Monitor Line Voltage 1 PH	H000291	H000291	H000291
M	MISCELLANEOUS			
1-M	Control Bezel Digital (Includes Switch Decal)	H000325	H000325	H000325
2-M	Switch/Decal Membrane	H000326	H000326	H000326
3-M	Control Bezel Cover	H000327	H000327	H000327
4-M	Bezel Seal Gasket	H000344	H000344	H000344
5-M	Touch-up Paint	750260	750260	750260
S	SHEETMETAL			
1-S	Access Panel	H000352	H000352	H000352
2-S	Center Post	H000345	H000366	H000366
3-S	Front and Right Side Jacket Panel	H000358	H000359	H000359
4-S	Rear and Left Side Jacket Panel	H000360	H000361	H000361
5-S	Corner Jacket Panel	H000353	H000354	H000354
6-S	Jacket Top	H000355	H000355	H000355
7-S	Grille Fan Guard (Includes 2-F)	H000356	H000356	H000356
8-S	Hurricane Bracket	H000357	H000357	H000357
9-S	Ambient Temperature Sensor Cover	H000362	H000362	H000362

* NOTE: R-410 A components not compatible with R22 units.

NOTES
